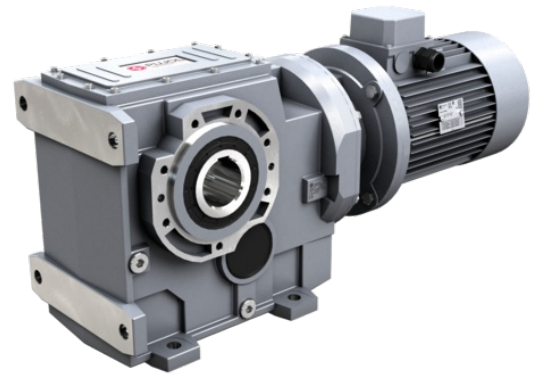


TECHNICAL CATALOGUE

KXB SERIES



HELICAL **BEVEL** GEARED **MOTORS**

STANDARD **IEC**



PUJOL

Gear Solutions

a **TECO** Group company

1. GENERAL INFORMATION

1.1	SYMBOLS AND FORMULAS	4
1.1.1	Symbols	4
1.1.2	Formulas	5
1.2	PRODUCT SELECTION	6
1.3	SERVICE FACTOR	7
1.4	INSTALLATION	8

2. PRODUCT INFORMATION

2.1	DESIGN FEATURES	9
2.2	TYOLOGY	10
2.2.1	Designation	10
2.2.2	Versions	11
2.2.3	Modularity	15
2.3	MOUNTING POSITIONS	17
2.3.1	Mounting positions	17
2.3.2	Position of terminal box	17
2.4	THERMAL POWER	18
2.4.1	Information	18
2.4.2	Verification	18
2.5	DIRECTION OF ROTATION	19
2.6	CRITICAL APPLICATIONS	20
2.6.1	Critical applications	20
2.6.2	Information	20
2.7	MOTOR FLANGE AVAILABILITY	21
2.7.1	KXA Motor flange availability	21
2.7.2	KXB Motor flange availability	22
2.8	OUTPUT SHAFT BEARINGS	25
2.9	OVERHUNG LOAD	26
2.9.1	Information	26
2.9.2	Input	26
2.9.3	Output	28
2.10	LUBRICATION	29

2.10.1	Information	29
2.10.2	Lubricants	29
2.10.3	Special lubricants	30
2.10.4	Quantity	31
2.11	MOMENTS OF INERTIA	32

3. DIMENSIONS

3.1	REDUCERS/GEARED MOTORS	33
3.1.1	KXAC..2	33
3.1.2	KXAC..3	34
3.1.3	KXA..2	35
3.1.4	KXA..3	36
3.1.5	KXBC	37
3.1.6	KXB	39
3.2	WEIGHT	41
3.3	END SHAFT	42

4. ACCESSORIES AND OPTIONS

4.1	LOW SPEED SHAFTS	43
4.2	OUTPUT FLANGE	44
4.2.1	KXA	44
4.2.2	KXB	45
4.3	SHAFT MOUNTING FASTENING	46
4.3.1	Torque arm: KXA Mounting position	46
4.3.2	Torque arm: KXA Dimensions	46
4.3.3	Torque arm: KXB Mounting position	47
4.3.4	Torque arm: KXB353-403-503-603 Dimensions	48
4.3.5	Torque arm: KXB703-903-1003 Dimensions	48
4.4	OUTPUT SHAFT COVER	49
4.5	BACKSTOP DEVICE	50
4.6	OUTPUT SHAFT WITH SHRINK DISC	52
4.7	REINFORCED OIL SEALS FOR OUTPUT SHAFT	53
4.8	ASSEMBLING/DISASSEMBLING KIT	54

4.9	MACHINE AXIS	55
-----	--------------------	----

5. PERFORMANCES

5.1	KXBC/KXAC GEARED MOTORS (50Hz)	56
5.2	KXB/KXA GEAR REDUCER - 1750 rpm	140
5.3	KXB/KXA GEAR REDUCER - 1400 rpm	148
5.4	KXB/KXA GEAR REDUCER - 1140 rpm	156
5.5	KXB/KXA GEAR REDUCER - 900 rpm	164
5.6	KXB/KXA GEAR REDUCER - 700 rpm	172
5.7	KXB/KXA GEAR REDUCER - 500 rpm	180

6. SALES CONDITIONS

6.1	SALES CONDITIONS	188
-----	------------------------	-----

1.1.1 Symbols

Physical dimension	Symbol	Symbol units of measure	Input	Output
Power	P	[kW]	P ₁	P ₂
Requested power	Pr	[kW]	Pr ₁	Pr ₂
Nominal power	Pn	[kW]	Pn ₁	Pn ₂
Torque	M	[Nm]	M ₁	M ₂
Nominal torque	Mn	[Nm]		Mn ₂
Requested torque	Mr	[Nm]	Mr ₁	Mr ₂
Speed	n	[rpm]	n ₁	n ₂
Force	F	[N]		
Radial load	Fr	[N]	Fr ₁	Fr ₂
Axial load	Fa	[N]	Fa ₁	Fa ₂
Reduction ratio	i			
Dynamic efficiency	η_d			
Service factor	f.s.			
Static	s			
Dynamic	d			
Calculated	c			
Maximum	max			
Minimum	min			
Moment of inertia	J	[kgm ²]	J ₁	
Ambient temperature	T _{amb}	[°C]		
Dimension		[mm]		

1.1.2 Formulas

REDUCER		
Starting or stopping time	$t = v / a$	[s]
Velocity in rotary motion	$v = \pi * d * n / 60$ $v = \omega * r$	[m/s]
Speed velocity Angular velocity	$n = 60 * v / (\pi * d)$ $\omega = v / r$	[rpm] [rad/s]
Acceleration or deceleration according to a starting / stopping time	$a = v / t$	[m/s ²]
Angular acceleration	$\alpha = n / (9,55 * t)$ $\alpha = \omega / t$	[rad/s ²]
Starting or stopping distance (according to acceleration / deceleration or angular velocity)	$s = a * t^2 / 2$ $s = v * t / 2$	[m]
Horizontal translation force	$F = \mu * m * g$	[N]
Vertical translation force (lifting)	$F = m * g$	
Inclined plane translation force	$F = m * g (\mu * \cos\beta + \sin\beta)$	
m= mass [kg]; g= gravity acceleration [m/s ²]; μ= friction coefficient; β= angle of inclination		
Moment of inertia	$J = m * v^2 / \omega^2$	[kgm ²]
Torque	$M = F * d / 2$ $M = J * \omega / t$	[Nm]

MOTOR and GEARMOTOR		
Starting time	$t_a = (J_{ext} + J_m) * n_n / 9,55 + (M_{peak} - M_r)$	[s]
Braking time	$t_s = (J_{ext} + J_m) * n_n / 9,55 + (M_{peak} + M_r)$	[s]
Motor rotation angle during starting	$\varphi = n_n * t_a / 19,1$	[rad]
Motor rotation angle during braking	$\varphi = n_n * t_s / 19,1$	[rad]
Power available at the shaft of single phase motor	$P = V * I * \eta * \cos\omega$	[W]
Power available at the shaft of three phase motor	$P = 1,73 * V * I * \eta * \cos\omega$	[W]

RUNNING at 60Hz		
Speed velocity at 60Hz	$n_{60Hz} = 1,2 * n_{50Hz}$	[rpm]
Power at 60Hz	$P_{1\ 60Hz} = P_{1\ 50Hz} * V_{60Hz} / V_{50Hz}$	[kW]
If input voltage at 60 Hz (V _{60Hz}) corresponds to winding voltage at 50 Hz (V _{50Hz}), power doesn't change $P_{1\ 60Hz} = P_{1\ 50Hz}$		
If input voltage at 60 Hz (V _{60Hz}) is 20% higher than winding voltage at 50 Hz (V _{50Hz}), power increases by 20% $P_{1\ 60Hz} = 1,2 P_{1\ 50Hz}$		
Torque at 60Hz	$M_{60Hz} = M_{50Hz} * P_{1\ 60Hz} / (1,2 * P_{1\ 50Hz})$	[Nm]
Service factor at 60Hz	$f.s_{60Hz} = f.s_{50Hz} * 1,175 * P_{1\ 50Hz} / P_{1\ 60Hz}$	-

For correctly selecting a gear reducer or geared motor, several essential pieces of data are required:

- A. The rotational input speed to the gear reducer (n_1) and the rotational output speed (n_2). Through these two values it is possible to calculate the reduction ratio (i) of the gear reducer using the following formula: $i = n_1/n_2$
- B. The torque required by the application (Mr_2).

The geared motor or gear reducer can be selected once this data is known.

This guide helps you to select the right product in just a few steps:

Geared motor selection

1. Determine the application's actual service factor (**s.f.**). This parameter depends on the type of load of the powered machine, the number of starts per hour and the hours of operation (refer to the "Service factor" paragraph).
2. Calculate the input power Pr_1 using the required torque value Mr_2 , the speed n_2 and dynamic efficiency value. $Pr_1 = (Mr_2 * n_2) / (9550 * \eta_d)$. The dynamic efficiency value depends on the type of gear reducer and on the number of gear reduction stages. (To calculate the efficiency value see its page).
3. Consult the geared motor performance tables and identify a normalised power value Pn_1 exceeding the required power Pr_1 , such that: $Pn_1 \geq Pr_1$
4. Once the suitable nominal power has been identified, select the geared motor capable of generating the rotational speed closest to the desired n_2 value and with service factor s.f. greater or equal to that required by the application.

In the geared motor selection tables the combinations include 2-pole, 4-pole and 6-pole motors powered at 50Hz.

Gear reducer selection

1. Determine the application's service factor (**s.f.**) (consult to the "Service factor" paragraph on its page) .
2. Calculate the reduction ratio i from the requested output speed n_2 and from the input speed n_1 . $i = n_1/n_2$
3. Calculate the torque M_{c_2} for selecting the gear reducer through the torque required by the application Mr_2 and the service factor s.f.: $M_{c_2} = Mr_2 * (f.s.)$
4. Consult the Gear Reducer Performance tables looking for the reducer that, with the reduction ratio closer to the calculated one, has a nominal torque Mn_2 so that: $Mn_2 \geq M_{c_2}$

Checks

Once the gear reducer or geared motor has been selected, the following checks should be performed:

A. Thermal power

The gear reducer's thermal power must be equal to or greater than the installed mechanical power, or the power required by the application according to the indications contained in the section (refer to the "Thermal power" paragraph).

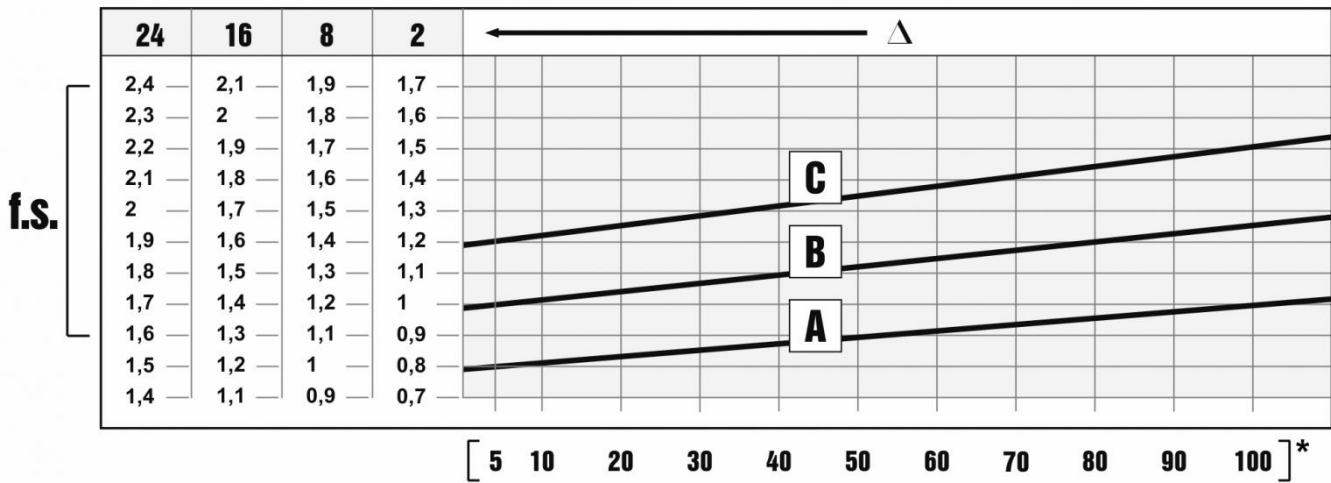
B. Maximum torque

Generally, the maximum torque (peak instantaneous load) that can be applied to the gear reducer must not exceed 200% of the nominal torque Mn_2 (ATEX - M_{2max}).

C. Radial loads

1. Verify that the radial loads acting on the input and/or output shafts are within with the values indicated in the catalogue. If they exceed these values, increase the size of the gear reducer or modify the external load capacity. During the checking phase, it is important to remember that the values indicated in the catalogue refer to loads acting on the mid-point of the shaft protrusion, therefore, if the load is applied to a different position, appropriate formulas must be used to calculate the admissible load in the desired position (refer to the "Radial loads" paragraph).
2. If accessory output shafts are present, make sure that the applied load is compatible with shaft size. If help is needed: contact GEAR SOLUTIONS TECHNICAL SERVICE.

D. If an electric motor is going to be fitted to the selected gear reducer, check for its applicability by referring to the configuration table (see paragraph "Motor flange availability"). From IEC 180 motors, verify if necessary to support the motor with feet. In case of need please contact GEAR SOLUTIONS TECHNICAL SERVICE.



The service factor (f.s.) depends on the operating conditions the gear reducer is subjected to. The parameters that need to be taken into consideration to select the most adequate service factor correctly comprise:

- type of load of the operated machine : A - B - C
- length of daily operating time: hours/day (Δ)
- start-up frequency: starts/hour (*)

LOAD:

- **A** - uniform = $f_a \leq 0,3$
- **B** - moderate shocks = $f_a \leq 3$
- **C** - heavy shocks = $f_a \leq 10$

$f_a = J_e/J_m$

- J_e [kgm^2] moment of reduced external inertia at the drive-shaft
- J_m [kgm^2] moment of inertia of motor

If $f_a > 10$ call our Technical Service.

- A. Screw feeders for light materials, fans, assembly lines, conveyor belts for light materials, small mixers, lifts, cleaning machines, fillers, control machines.
- B. Winding devices, woodworking machine feeders, goods lifts, balancers, threading machines, medium mixers, conveyor belts for heavy materials, winches, sliding doors, fertilizer scrapers, packing machines, concrete mixers, crane mechanisms, milling cutters, folding machines, gear pumps.
- C. Mixers for heavy materials, shears, presses, centrifuges, rotating supports, winches and lifts for heavy materials, grinding lathes, stone mills, bucket elevators, drilling machines, hammer mills, cam presses, folding machines, turntables, tumbling barrels, vibrators, shredders.

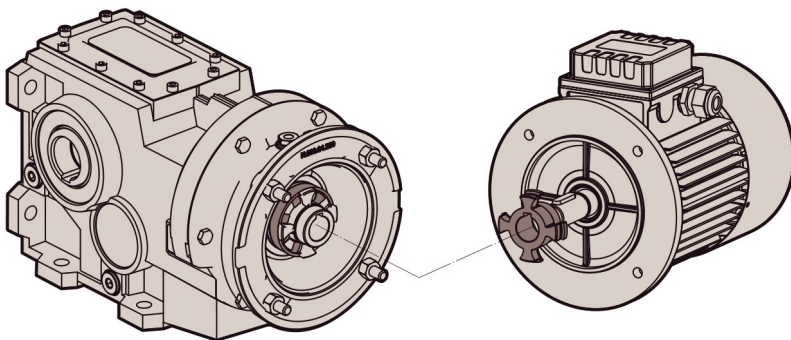
To install the gear reducer it is necessary to note the following recommendations:

- Check the correct direction of rotation of the gear reducer output shaft before fitting the unit to the machine.
- In the case of particularly lengthy periods of storage (4/6 months), if the oil seal is not immersed in the lubricant inside the unit, it is recommended to change it since the rubber could stick to the shaft or may even have lost the elasticity it needs to function properly.
- Whenever possible, protect the gear reducer against solar radiation and bad weather.
- Ensure the motor cools correctly by ensuring good passage of air from the fan side.
- In the case of ambient temperatures $< -5^{\circ}\text{C}$ or $> +40^{\circ}\text{C}$ call the Technical Service.
- The various parts (pulleys, gear wheels, couplings, shafts, etc.) must be mounted on the shafts using special threaded holes or other systems that anyhow ensure correct operation without risking damage to the bearings or external parts of the units. Lubricate the surfaces in contact to avoid seizure or oxidation.
- Painting must definitely not go over rubber parts and the holes on the breather plugs, if any.
- For units equipped with oil plugs, replace the closed plug used for shipping with the special breather plug.
- Check the correct level of the lubricant through the indicator, if there is one.
- Starting must take place gradually, without immediately applying the maximum load.
- When there are parts, objects or materials under the motor drive that can be damaged by even limited spillage of oil, special protection should be fitted.

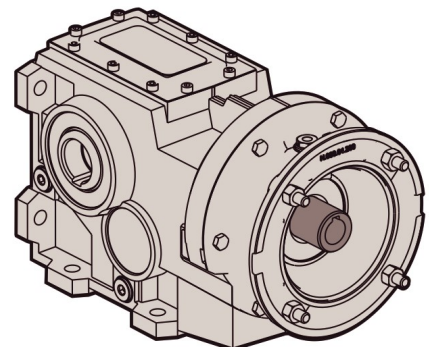
Assembling motor on pam flange

When the unit is supplied without motor, it is necessary to follow these recommendation to ensure the correct assembly of the electric motor. Check that the tolerances for the motor shaft and flange correspond to the "standard". Carefully clean the shaft, spigot and surfaces of the flange removing traces of paint and dirt, and confirm the key is fitted correctly. Fit the half coupling/sleeve to the motor shaft (see picture) taking care to ensure the motor shaft and bearings are not damaged by avoiding excessive force and where necessary using assembly equipment. Place the couplings elastic element onto the motor half coupling and position the motor up to the gear unit ensuring the coupling element is aligned with the driven half coupling. Complete the assembly using the fixing bolts. Key-ways with tightened tolerances.

Flexible joint



PAM Sleeve



GEAR SOLUTIONS products are supplied with the following surface treatment features:

Die-cast aluminium alloy cases for gears

Die-cast materials undergo the following surface cleaning operations:

- De-burring by means of a mechanically operated shearing system.
- Accurate shot-peening.
- Painting.
- Washing and passivation.

Grey-coloured cast-iron cases for gears

- Die-cast materials are always painted.

Grey-coloured cast-iron inspection cover

- The gear reducer KXB... series sizes 703, 903, 1003 are supplied with grey-coloured cast-iron closing cover and a metal nameplate printed.

Painting specifications:

- Dark Grey epoxy-polyester RAL 7031. Polyester resin based heat-hardening powders, altered with epoxy resins.

Mechanical properties

- Tests carried out onto degreased Unichim white lattens (film thickness: 60 microns) comply with the following specifications: adherence (ISO2409).

Heat resistance

- 24 HOURS AT 150°C.

Corrosion strength

- ASTM B 117/97 salt fog from 100 to 500 hours depending on the support's preliminary treatment.

Performance:

- Loading capacity in accordance with DIN 3990, ISO 6336, AGMA 2101, ISO 10300, DIN 3991, ISO 281, DIN 743

Efficiency η :

- The efficiency is the ratio between the output power P_2 and the power absorbed by the gear reducer P_1 : $\eta = P_2/P_1$

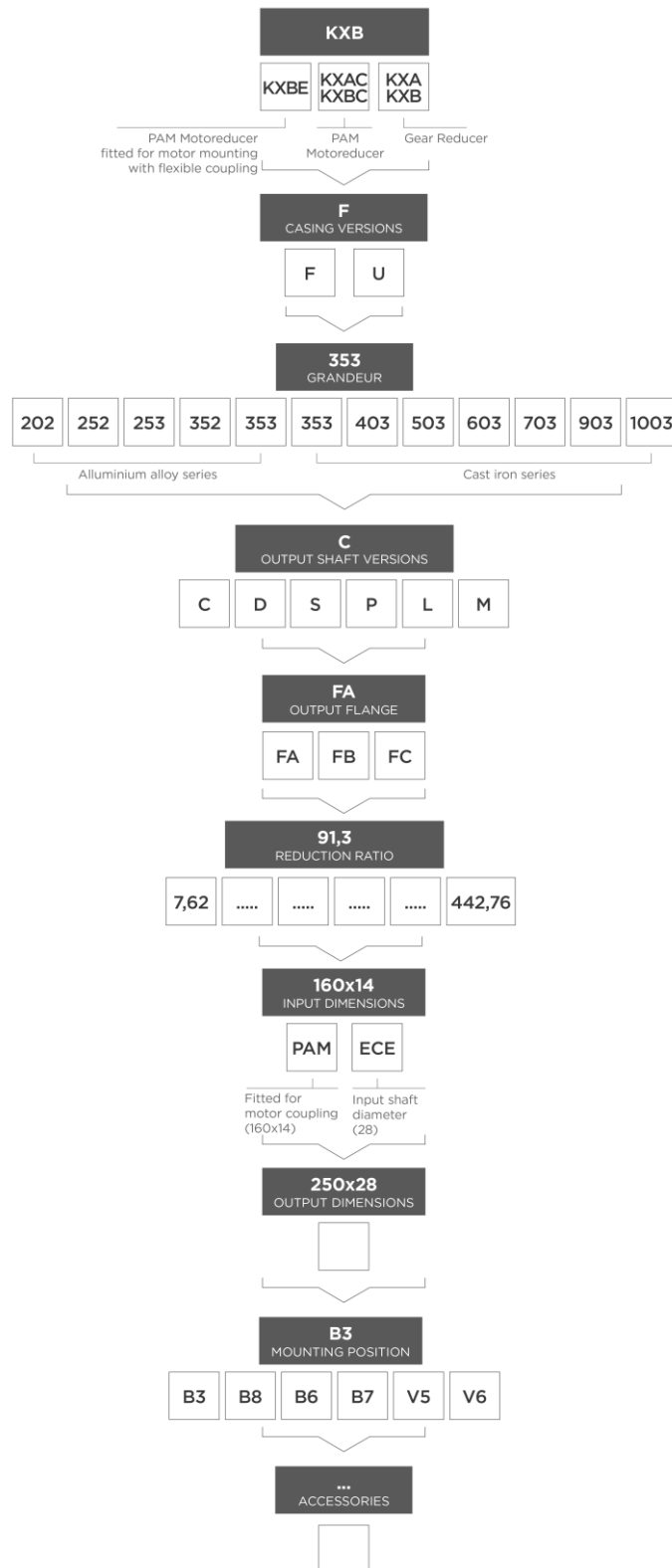
KXB/KXA-range helical bevel gear reducers have an average value equal to:

KXB..3 stages = 0,9

KXA.2 stages = 0,95

KXA.3 stages = 0,9

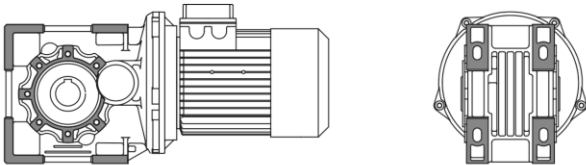
2.2.1 Designation



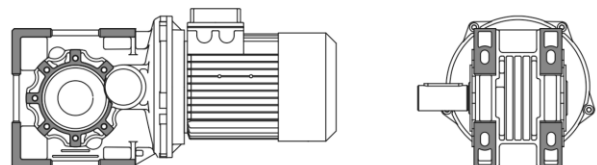
2.2.2 Versions

KXA 202 - 252/3 - 352/3

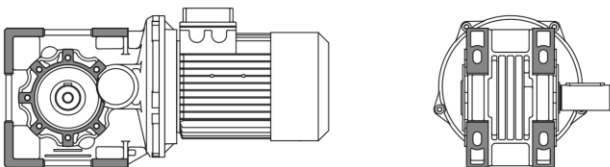
U FOOT-FLANGE MOUNTING / **C** HOLLOW SHAFT



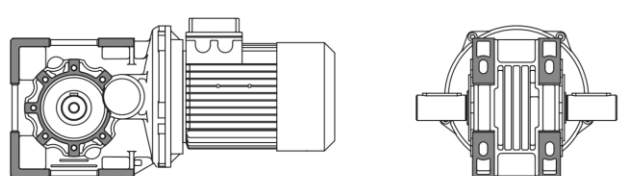
U FOOT-FLANGE MOUNTING / **D** SOLID SHAFT



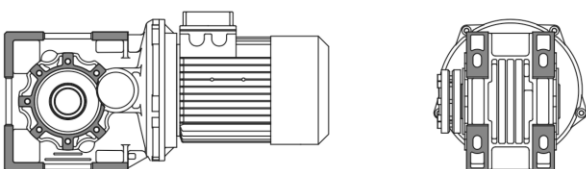
U FOOT-FLANGE MOUNTING / **S** SOLID SHAFT



U FOOT-FLANGE MOUNTING / **P** DOUBLE OUTPUT SHAFT



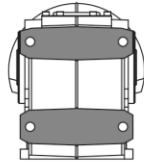
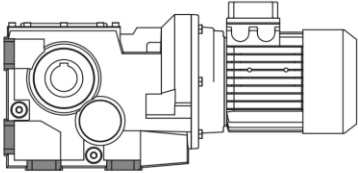
U FOOT-FLANGE MOUNTING / **L** SHRINK DISC SHAFT



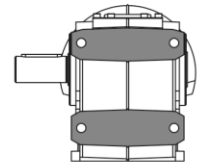
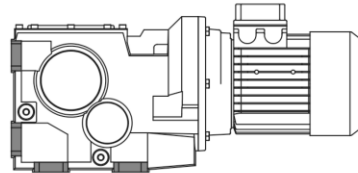
Sizes KXA202 - KXA252 - KXA253 are not available in versions D-S-P.

KXB 353 - 403 - 503 - 603

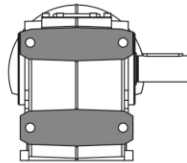
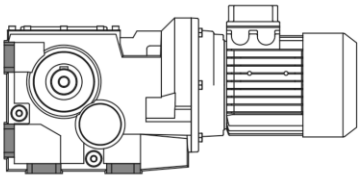
FOOT MOUNTING / **C** HOLLOW SHAFT



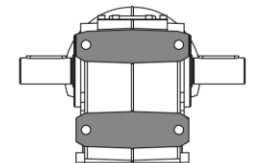
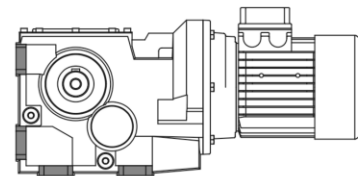
FOOT MOUNTING / **D** SOLID SHAFT



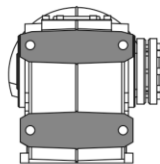
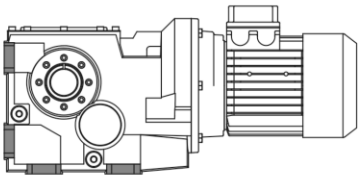
FOOT MOUNTING / **S** SOLID SHAFT



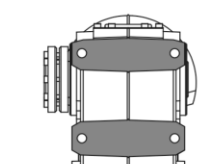
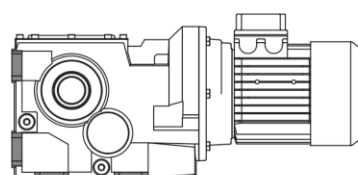
FOOT MOUNTING / **P** DOUBLE OUTPUT SHAFT



FOOT MOUNTING / **L** SHRINK DISC SHAFT

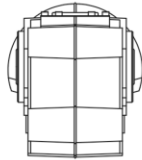
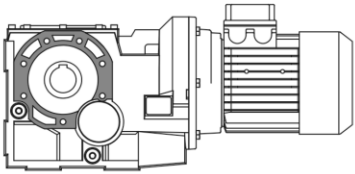


FOOT MOUNTING / **M** SHRINK DISC SHAFT

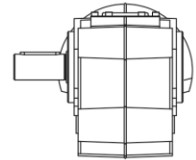
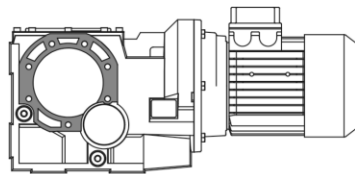


KXB 353 - 403 - 503 - 603

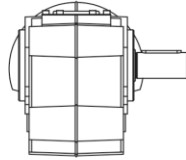
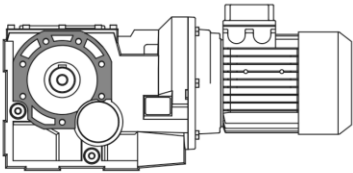
F FLANGE MOUNTING / C HOLLOW SHAFT



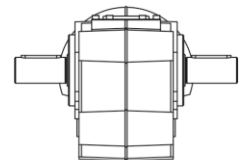
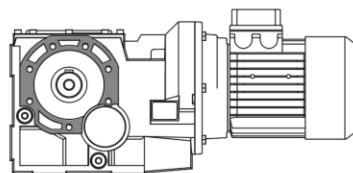
F FLANGE MOUNTING / D SOLID SHAFT



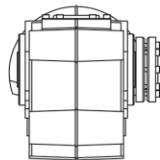
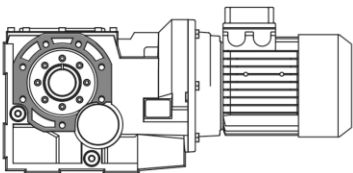
F FLANGE MOUNTING / S SOLID SHAFT



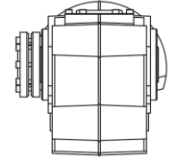
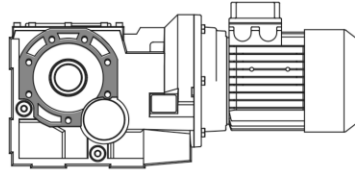
F FLANGE MOUNTING / P DOUBLE OUTPUT SHAFT



F FLANGE MOUNTING / L HOLLOW SHAFT

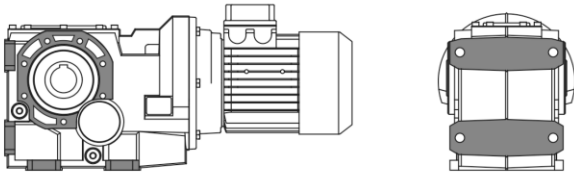


F FLANGE MOUNTING / M SOLID SHAFT

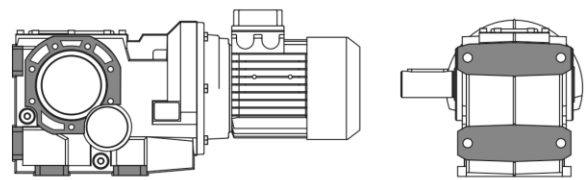


KXB 353 - 403 - 503 - 603 - 703 - 903 - 1003

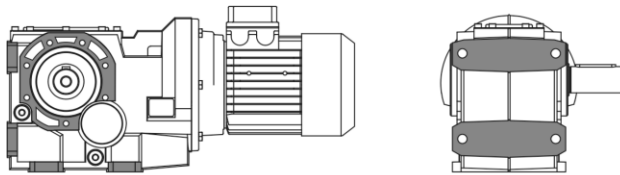
U FOOT-FLANGE MOUNTING / **C** HOLLOW SHAFT



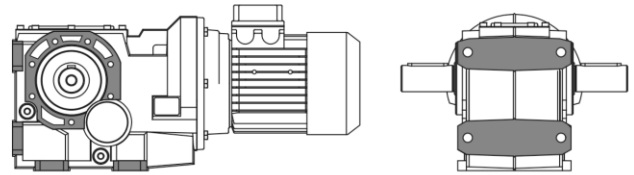
U FOOT-FLANGE MOUNTING / **D** SOLID SHAFT



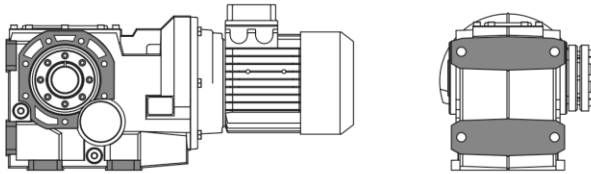
U FOOT-FLANGE MOUNTING / **S** SOLID SHAFT



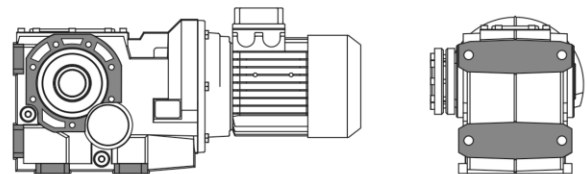
U FOOT-FLANGE MOUNTING / **P** DOUBLE OUTPUT SHAF



U FOOT-FLANGE MOUNTING / **L** SHRINK DISC SHAFT

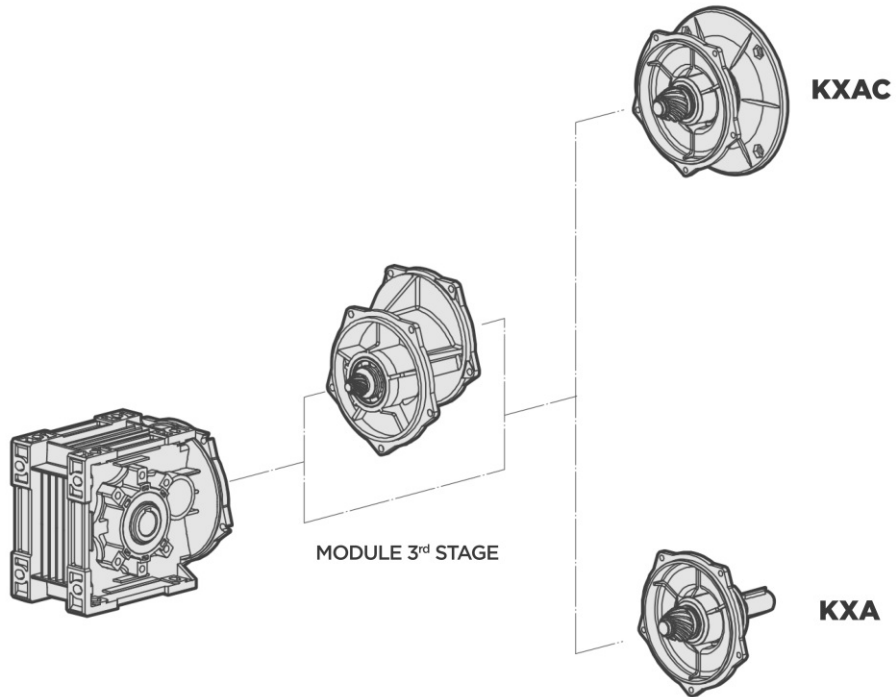


U FOOT-FLANGE MOUNTING / **M** SHRINK DISC SHAFT



2.2.3 Modularity

KXA ALUMINIUM ALLOY SERIES



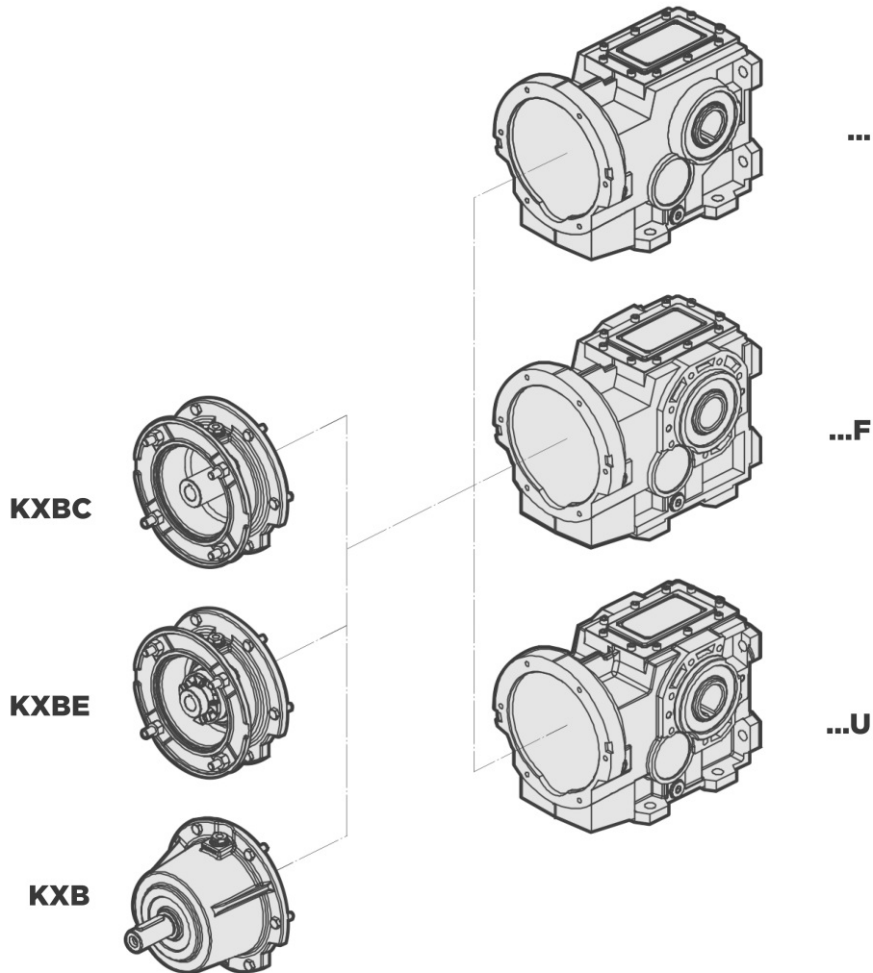
KXAC

Fitted for motor coupling version (PAM)

KXA

Input shaft versions

KXB GREY CAST IRON SERIES



KXBC

Fitted for motor coupling version (PAM)

KXBE

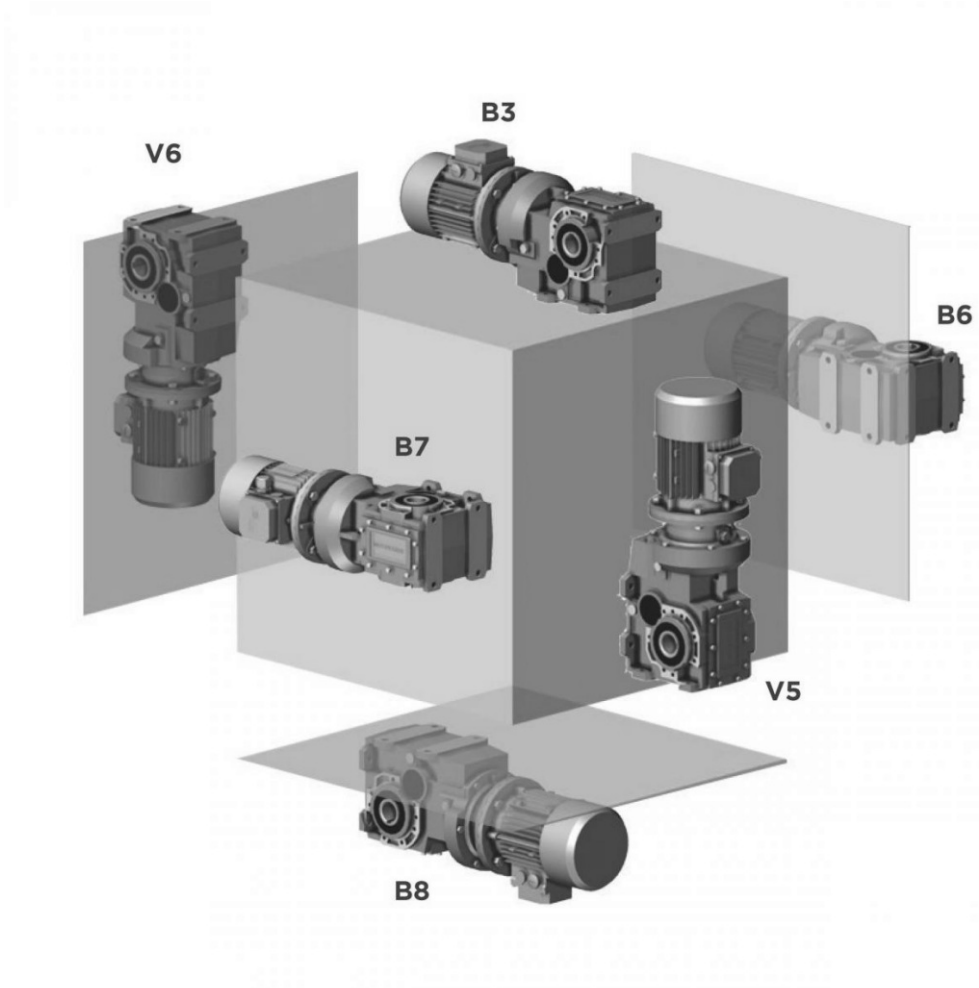
Fitted for motor mounting with flexible coupling

KXB

Input shaft versions

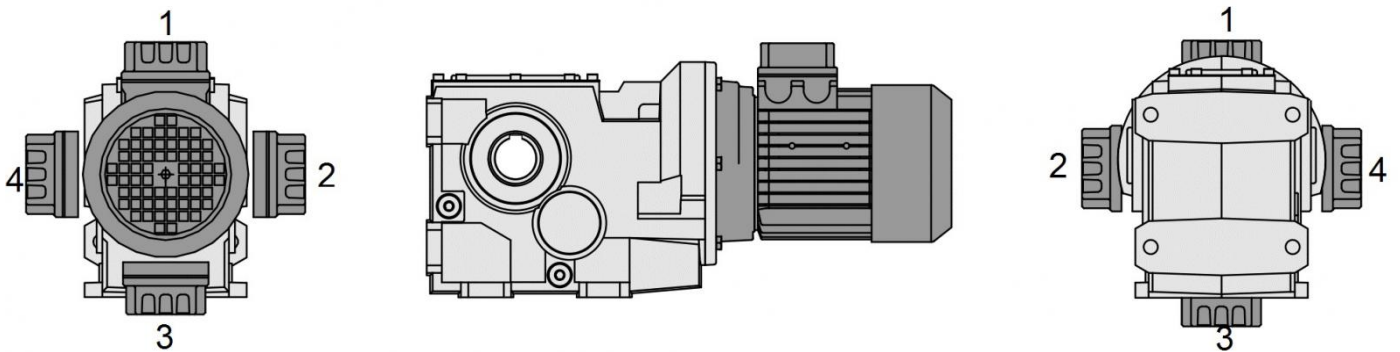
2.3.1 Mounting positions

The mounting position of the gear unit identifies its space orientation. B3 mounting position, as from a technical point of view, ensures lower oil splash, better lubrication and less heating.



2.3.2 Position of terminal box

Unless otherwise specified when ordering, the gear reducer is supplied with terminal box in position 1.



2.4.1 Information

The scheme below indicates the nominal thermal power capacity [kW] according to the following conditions:

- mounting position B3
- continuous operation at input speed ≤ 1500 rpm
- environment temperature $T_{amb}=25^{\circ}C$
- sea level altitude
- air speed around the gear reducer ≥ 1 m/s
- absence of external radial and/or axial loads

n ₁ = 1500rpm	
	Pth [kW]
KXB353	10,5
KXB403	11
KXB503	12,5
KXB603	19
KXB703	22,5
KXB903	38
KXB1003	55

A correct lubrication and a proper running condition of the gearbox are guaranteed only applying an input power not exceeding Pth (at the above reference conditions) (T oil max=95°C).

NOTE: For the KXA series it is not necessary to check the thermal power.

2.4.2 Verification

Application check

Except for continuous operating times below two hours and successive pauses capable of bringing the gear reducer back to ambient temperature, for each application it is peremptory to verify the gear reducer’s thermal limit according to the following formula: $P_1 < P_{th} * F_c * F_v * F_a$, where:

- P₁ = input power to the gear reducer [kW]
- P_{th} = thermal power at the reference conditions [kW] (see above table)
- F_c = ambient and operating temperature correction factor
- F_v = ventilation correction factor
- F_a = altitude correction factor

The correction factors refer to different operating conditions compared to the reference conditions, and are provided by the following ISO14179 tables:

Ambient temperature °C	F _c	Duty per hour of operation %				
		100	80	70	40	20
10	1,15	1,21	1,32	1,55	2,07	
18	1,07	1,12	1,23	1,44	1,93	
25	1,00	1,05	1,15	1,35	1,80	
30	0,93	0,98	1,07	1,26	1,67	
40	0,83	0,87	0,95	1,12	1,49	
43	0,75	0,79	0,86	1,01	1,35	
50	0,67	0,70	0,77	0,90	1,21	

Altitude (m)	F _a
0*	1
750	0,95
1500	0,9
2250	0,85
3000	0,81

Ventilation correction factor	F _v
Stagnant air (<0,5 m/s)	0.75
Indoor installation with slight ventilation	1
Indoor installation with good ventilation (>1,4 m/s)	1.4
Installazione all'aperto (>3,7 m/s)	1.9

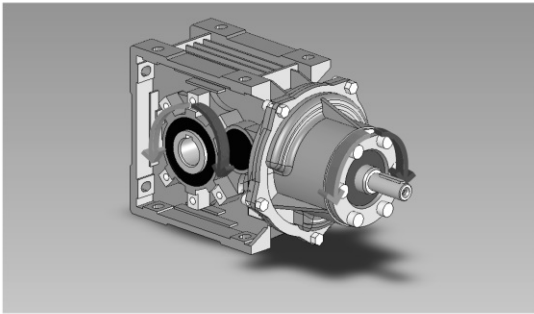
*Sea level

In case of operation at input speeds exceeding 2000 rpm, or ambient temperatures greater than 40°C, it is advisable to contact out technical department.

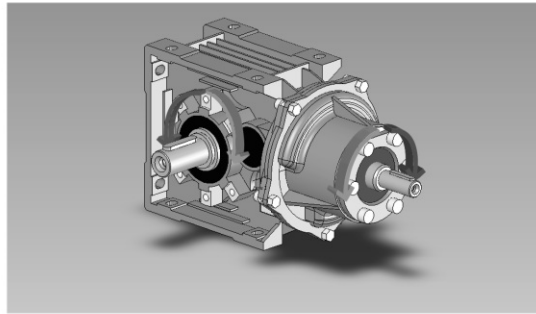
Helical bevel reduction units are supplied as “standard” with rotation as shown in the diagram. On request, the direction of rotation of low speed shaft can be reversed; in this case, it is necessary to specify “opposite rotation to catalogue” when ordering. The “opposite rotation to catalogue” is not possible for sizes KXA202 - KXA252 - KXA253.

DIRECTION OF ROTATION - HIGH SPEED SHAFT

KXA - KXAC 202-252-352

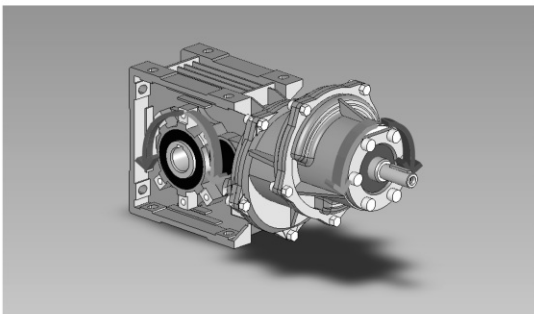


VERSIONS **C-D-P-L**

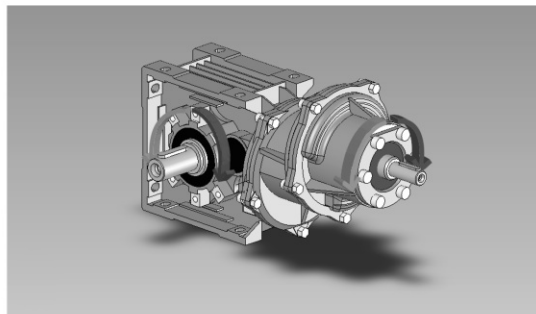


VERSION **S**

KXA - KXAC 253-353

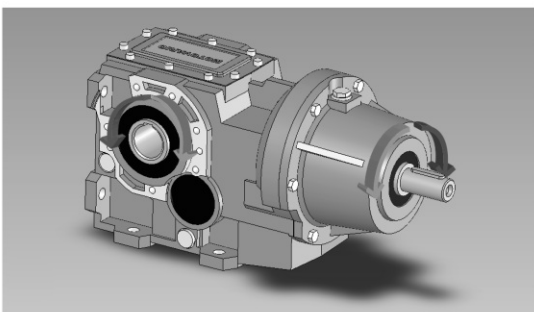


VERSIONS **C-D-P-L**

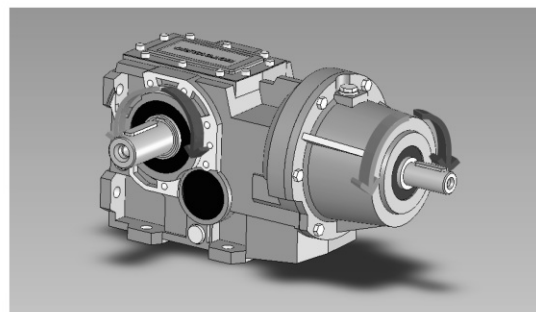


VERSION **S**

KXB - KXBC - KXBE 353... 1003



VERSIONS **C-D-P-L**



VERSIONS **S-M**

2.6.1 Critical applications

	KXA		
	202	252-253	352-353
2000 < n1 < 3000	✓	✓	✓
V6	B	B	B
n1 > 3000	B	B	B
...L : B6 - B7	B	B	B

	KXB						
	353	403	503	603	703	903	1003
2000 < n1 < 3000	✓	✓	✓	B	B	B	B
V6	B	B	B	B	B	B	B
n1 > 3000	B	B	B	B	A	A	A
...L : B6 - B7	B	B	B	B	B	B	B

✓ Verified application

A Application not recommended

B Check the application and/or call our technical service

The shrink disc is designed only to transmit the output torque.

In case of mounting position with radial and/or axial loads, please contact the technical support.

2.6.2 Information

The performance given in the catalogue correspond to mounting position B3 or similar, when the first stage is not entirely immersed in oil. For other mounting positions and/or particular input speeds, refer to the tables that highlight different critical situations for each size of gear reducer. It is also necessary to take due consideration of and carefully assess the following applications by calling our Technical Service:

- To avoid the use as multiplier.
- Use in services that could be hazardous for people if the gear reducer fails.
- Applications with especially high inertia.
- Use as a lifting winch.
- Applications with high dynamic strain on the case of the gear reducer.
- In places with T_{amb} under -5°C or over 40°C .
- Use in chemically aggressive environments.
- Use in a salty environment.
- Mounting positions not envisaged in the catalogue.
- Use in radioactive environments.
- Use in environments pressures other than atmospheric pressure.

Avoid applications where even partial immersion of the reducer is required.

In the presence of overloading due to full load, braking, shocks or other static and dynamic causes, please verify that the peak torque is less than $2 \cdot M_{n2}$.

2.7.1 KXA Motor flange availability

B10 = Compact electric motor versions.

These tables report all possible dimensions. Please verify service factor.

	i	063	071	080	090	100	112
KXAC202	7,62 ÷ 64,13	B5	B5-B14	B5 - B14			
KXAC202	78,17	B5	B5-B14				
KXAC252	7,91 ÷ 31,63	B5	B5-B14	B5-B14	B5-B14		
KXAC252	35,1 ÷ 64,87	B5	B5-B14	B5-B14			
KXAC252	79,07	B5	B5-B14				
KXAC253	73,7 ÷ 172,53	B5	B5-B14	B5-B14	B5-B14		
KXAC253	197,11 ÷ 342,65	B5	B5-B14				
KXAC352	8,36 ÷ 22,19				B5-B14	B5-B14	B5-B14
KXAC352	27,45 ÷ 40,87			B5-B14	B5-B14	B5-B14	B5-B14
KXAC352	45,64 ÷ 67,96			B5-B14	B5-B14		
KXAC353	43,89 ÷ 222,93	B5	B5-B14	B5-B14	B5-B14		
KXAC353	260,2 ÷ 442,76	B5	B5-B14				

2.7.2 KXB Motor flange availability

B11 = Compact electric motor versions.

These tables report all possible dimensions. Please verify service factor.

*For motor size 063 the KXBE version does not exist.

KXBC - KXBE 353					
i	*063	071	080	090	100-112
5,71			B5-B11	B5-B11	B5-B11
6,88			B5-B11	B5-B11	B5-B11
7,32		B5-B11	B5-B11	B5-B11	B5-B11
9,16			B5-B11	B5-B11	B5-B11
10,26			B5-B11	B5-B11	B5-B11
11,03			B5-B11	B5-B11	B5-B11
12,35			B5-B11	B5-B11	B5-B11
13,15		B5-B11	B5-B11	B5-B11	B5-B11
15,18		B5-B11	B5-B11	B5-B11	B5-B11
17,00		B5-B11	B5-B11	B5-B11	B5-B11
22,39		B5-B11	B5-B11	B5-B11	B5-B11
26,09			B5-B11	B5-B11	B5-B11
28,03			B5-B11	B5-B11	B5-B11
33,43		B5-B11	B5-B11	B5-B11	B5-B11
38,58		B5-B11	B5-B11	B5-B11	B5-B11
43,22		B5-B11	B5-B11	B5-B11	B5-B11
50,81		B5-B11	B5-B11	B5-B11	B5-B11
56,93		B5-B11	B5-B11	B5-B11	B5-B11
69,16	B5-B11	B5-B11	B5-B11	B5-B11	
77,48	B5-B11	B5-B11	B5-B11	B5-B11	
90,33	B5-B11	B5-B11	B5-B11		
101,20	B5-B11	B5-B11	B5-B11		
111,74	B5-B11	B5-B11	B5-B11		
124,20	B5-B11	B5-B11	B5-B11		
139,15	B5-B11	B5-B11	B5-B11		
157,42	B5-B11	B5-B11	B5-B11		

KXBC - KXBE 403					
i	080	090	100	112	132
7,81	B5-B11	B5-B11	B5-B11	B5-B11	B5-B11
8,62	B5-B11	B5-B11	B5-B11	B5-B11	B5-B11
10,49	B5-B11	B5-B11	B5-B11	B5-B11	B5-B11
11,59	B5-B11	B5-B11	B5-B11	B5-B11	B5-B11
14,43	B5-B11	B5-B11	B5-B11	B5-B11	B5-B11
16,60	B5-B11	B5-B11	B5-B11	B5-B11	B5-B11
18,32	B5-B11	B5-B11	B5-B11	B5-B11	B5-B11
22,82	B5-B11	B5-B11	B5-B11	B5-B11	B5-B11
26,71	B5-B11	B5-B11	B5-B11	B5-B11	B5-B11
29,50	B5-B11	B5-B11	B5-B11	B5-B11	B5-B11
31,80	B5-B11	B5-B11	B5-B11	B5-B11	B5-B11
34,49	B5-B11	B5-B11	B5-B11	B5-B11	B5-B11
39,60	B5-B11	B5-B11	B5-B11	B5-B11	B5-B11
42,95	B5-B11	B5-B11	B5-B11	B5-B11	B5-B11
45,44	B5-B11	B5-B11	B5-B11	B5-B11	B5-B11
51,19	B5-B11	B5-B11	B5-B11	B5-B11	B5-B11
55,52	B5-B11	B5-B11	B5-B11	B5-B11	B5-B11
59,96	B5-B11	B5-B11	B5-B11	B5-B11	B5-B11
63,74	B5-B11	B5-B11	B5-B11	B5-B11	B5-B11
69,14	B5-B11	B5-B11	B5-B11	B5-B11	B5-B11
73,14	B5-B11	B5-B11	B5-B11	B5-B11	B5-B11
80,76	B5-B11	B5-B11	B5-B11	B5-B11	B5-B11
92,19	B5-B11	B5-B11	B5-B11	B5-B11	
100,57	B5-B11	B5-B11	B5-B11	B5-B11	B5-B11
105,29	B5-B11	B5-B11	B5-B11	B5-B11	
116,25	B5-B11	B5-B11	B5-B11	B5-B11	
126,76	B5-B11	B5-B11	B5-B11	B5-B11	
144,77	B5-B11	B5-B11	B5-B11	B5-B11	

2.7 MOTOR FLANGE AVAILABILITY

KXBC - KXBE 503						
i	080	090	100	112	132	160
8,13	B5-B11	B5-B11	B5-B11	B5-B11	B5-B11	B5
8,97	B5-B11	B5-B11	B5-B11	B5-B11	B5-B11	B5
10,92	B5-B11	B5-B11	B5-B11	B5-B11	B5-B11	B5
12,05	B5-B11	B5-B11	B5-B11	B5-B11	B5-B11	B5
14,99	B5-B11	B5-B11	B5-B11	B5-B11	B5-B11	B5
17,27	B5-B11	B5-B11	B5-B11	B5-B11	B5-B11	B5
19,06	B5-B11	B5-B11	B5-B11	B5-B11	B5-B11	B5
23,70	B5-B11	B5-B11	B5-B11	B5-B11	B5-B11	B5
26,51	B5-B11	B5-B11	B5-B11	B5-B11	B5-B11	B5
30,55	B5-B11	B5-B11	B5-B11	B5-B11	B5-B11	B5
33,07	B5-B11	B5-B11	B5-B11	B5-B11	B5-B11	
35,87	B5-B11	B5-B11	B5-B11	B5-B11	B5-B11	
41,12	B5-B11	B5-B11	B5-B11	B5-B11	B5-B11	
44,61	B5-B11	B5-B11	B5-B11	B5-B11	B5-B11	
47,28	B5-B11	B5-B11	B5-B11	B5-B11	B5-B11	
50,24	B5-B11	B5-B11	B5-B11	B5-B11	B5-B11	
53,02	B5-B11	B5-B11	B5-B11	B5-B11	B5-B11	
58,50	B5-B11	B5-B11	B5-B11	B5-B11	B5-B11	
64,89	B5-B11	B5-B11	B5-B11	B5-B11	B5-B11	
68,58	B5-B11	B5-B11	B5-B11	B5-B11	B5-B11	
72,76	B5-B11	B5-B11	B5-B11	B5-B11	B5-B11	
78,92	B5-B11	B5-B11	B5-B11	B5-B11	B5-B11	
83,66	B5-B11	B5-B11	B5-B11	B5-B11	B5-B11	
92,31	B5-B11	B5-B11	B5-B11	B5-B11	B5-B11	
105,44	B5-B11	B5-B11	B5-B11	B5-B11		
114,80	B5-B11	B5-B11	B5-B11	B5-B11	B5-B11	
120,42	B5-B11	B5-B11	B5-B11	B5-B11		
132,87	B5-B11	B5-B11	B5-B11	B5-B11		
144,69	B5-B11	B5-B11	B5-B11	B5-B11		
165,25	B5-B11	B5-B11	B5-B11	B5-B11		

KXBC - KXBE 603						
i	090	100	112	132	160	180
7,97				B5-B11	B5	B5
9,62				B5-B11	B5	B5
10,33				B5-B11	B5	B5
12,48				B5-B11	B5	B5
13,84				B5-B11	B5	B5
15,38				B5-B11	B5	B5
18,58				B5-B11	B5	B5
20,61				B5-B11	B5	B5
22,78				B5-B11	B5	B5
25,89		B5-B11	B5-B11	B5-B11	B5	B5
27,51				B5-B11	B5	B5
30,79				B5-B11	B5	B5
31,26		B5-B11	B5-B11	B5-B11	B5	B5
34,68		B5-B11	B5-B11	B5-B11	B5	B5
40,53		B5-B11	B5-B11	B5-B11	B5	B5
44,89		B5-B11	B5-B11	B5-B11	B5	B5
49,80		B5-B11	B5-B11	B5-B11	B5	B5
54,30		B5-B11	B5-B11	B5-B11	B5	B5
59,36		B5-B11	B5-B11	B5-B11	B5	B5
62,59		B5-B11	B5-B11	B5-B11	B5	B5
69,43		B5-B11	B5-B11	B5-B11	B5	B5
74,42		B5-B11	B5-B11	B5-B11	B5	B5
80,04	B5-B11	B5-B11	B5-B11	B5-B11		
89,87		B5-B11	B5-B11	B5-B11	B5	B5
99,70		B5-B11	B5-B11	B5-B11	B5	B5
106,65	B5-B11	B5-B11	B5-B11	B5-B11		
119,60	B5-B11	B5-B11	B5-B11	B5-B11		
129,96	B5-B11	B5-B11	B5-B11	B5-B11		
144,43	B5-B11	B5-B11	B5-B11	B5-B11		
160,23	B5-B11	B5-B11	B5-B11	B5-B11		
180,40	B5-B11	B5-B11	B5-B11	B5-B11		

2.7 MOTOR FLANGE AVAILABILITY

KXBC - KXBE 703						
i	100	112	132	160	180	200
10,84			B5-B11	B5	B5	B5
11,87			B5-B11	B5	B5	B5
14,49			B5-B11	B5	B5	B5
17,04			B5-B11	B5	B5	B5
18,66			B5-B11	B5	B5	B5
21,00			B5-B11	B5	B5	B5
22,77			B5-B11	B5	B5	B5
25,63			B5-B11	B5	B5	B5
27,44	B5-B11	B5-B11	B5-B11	B5	B5	B5
30,05	B5-B11	B5-B11	B5-B11	B5	B5	B5
33,01			B5-B11	B5	B5	B5
36,67	B5-B11	B5-B11	B5-B11	B5	B5	B5
40,29			B5-B11	B5	B5	B5
44,16	B5-B11	B5-B11	B5-B11	B5	B5	B5
48,35	B5-B11	B5-B11	B5-B11	B5	B5	B5
53,16	B5-B11	B5-B11	B5-B11	B5	B5	B5
54,63	B5-B11	B5-B11	B5-B11	B5	B5	B5
59,02	B5-B11	B5-B11	B5-B11	B5	B5	B5
64,88	B5-B11	B5-B11	B5-B11	B5	B5	B5
70,43	B5-B11	B5-B11	B5-B11	B5	B5	
77,12	B5-B11	B5-B11	B5-B11	B5	B5	
85,54	B5-B11	B5-B11	B5-B11	B5	B5	B5
94,13	B5-B11	B5-B11	B5-B11	B5	B5	
105,83	B5-B11	B5-B11	B5-B11			
111,94	B5-B11	B5-B11	B5-B11	B5	B5	
124,62	B5-B11	B5-B11	B5-B11	B5	B5	
136,44	B5-B11	B5-B11	B5-B11	B5	B5	
149,59	B5-B11	B5-B11	B5-B11	B5	B5	
166,53	B5-B11	B5-B11	B5-B11	B5	B5	
187,24	B5-B11	B5-B11	B5-B11			

KXBC - KXBE 903					
i	132	160	180	200	225
10,49		B5	B5	B5	B5
12,64		B5	B5	B5	B5
14,01		B5	B5	B5	B5
15,40		B5	B5	B5	B5
18,56		B5	B5	B5	B5
20,56		B5	B5	B5	B5
23,86		B5	B5	B5	B5
25,19	B5	B5	B5	B5	B5
28,23	B5	B5	B5	B5	B5
30,35	B5	B5	B5	B5	B5
33,63	B5	B5	B5	B5	B5
35,02		B5	B5	B5	B5
38,81		B5	B5	B5	B5
42,30	B5	B5	B5	B5	B5
47,53	B5	B5	B5	B5	B5
50,56	B5	B5	B5	B5	B5
54,64	B5	B5	B5	B5	B5
57,27	B5	B5	B5	B5	B5
60,92	B5	B5	B5	B5	B5
63,47	B5	B5	B5	B5	B5
71,10	B5	B5	B5		
77,22	B5	B5	B5	B5	B5
83,90	B5	B5	B5		
87,70	B5	B5	B5		
93,05	B5	B5	B5	B5	B5
103,12	B5	B5	B5	B5	B5
123,90	B5	B5	B5		
134,30	B5	B5	B5		
149,30	B5	B5	B5		
165,40	B5	B5	B5		

KXBC - KXBE 1003						
i	160	180	200	225	250	280
8,89		B5	B5	B5	B5	B5
10,58		B5	B5	B5	B5	B5
11,87		B5	B5	B5	B5	B5
12,81		B5	B5	B5	B5	B5
14,08		B5	B5	B5	B5	B5
15,52		B5	B5	B5	B5	B5
16,39		B5	B5	B5	B5	B5
18,02	B5	B5	B5	B5	B5	B5
19,96	B5	B5	B5	B5	B5	
21,94	B5	B5	B5	B5	B5	B5
24,17	B5	B5	B5	B5	B5	B5
26,58	B5	B5	B5	B5	B5	B5
28,80	B5	B5	B5	B5	B5	
30,92	B5	B5	B5	B5	B5	B5
34,25	B5	B5	B5	B5	B5	
37,66	B5	B5	B5	B5	B5	
40,65	B5	B5	B5	B5	B5	
45,09	B5	B5	B5	B5	B5	
51,00	B5	B5	B5	B5	B5	
53,63	B5	B5	B5	B5	B5	
58,97	B5	B5	B5	B5	B5	
69,78	B5	B5	B5	B5		
76,72	B5	B5	B5			
87,54	B5	B5	B5			
96,25	B5	B5	B5			
103,93	B5	B5	B5			
114,27	B5	B5				
126,29	B5	B5				
138,85	B5	B5				
154,83	B5	B5				

KXA		KXA 202		KXA 252-253		KXA 352-353	
Versions (*)		Standard	On request	Standard	On request	Standard	On request
U	C	1	/	1	/	1	/
	D/S/P	/	/	/	/	1	/
	L/M	1	/	1	/	1	/

(*) N.B. sizes KXA202 - KXA252 - KXA253 are not available in versions D-S-P.

KXB		KXB 353		KXB 403		KXB 503-603		KXB 703/903/1003	
Versions		Standard	On request	Standard	On request	Standard	On request	Standard	On request
U	C	2	/	2 (Ø40) 1 (Ø45) 1 (Ø35)	1 (Ø40)	2	/	2	/
	D/S/P	2	/	2	/	2	/	2	/
	L/M	1	/	1	/	1	/	2	/
F/S	C	1	2	1	2 (Ø40)	1	2	/	/
	D/S/P	2	/	2	/	2	/	/	/
	L/M	1	/	1	/	1	/	/	/

1 - Ball Bearing

2 - Roller bearings

/ - Not available

2.9.1 Information

The value of the admissible radial load [N] is given in the tables relating to the performance of the gear reducer at issue. It is related to the load applied on the centre line of the shaft and in the most unfavourable conditions of angle of application and direction of rotation. The maximum admissible axial loads are 1/5 of the value of the given radial load when they are applied in combination with the radial load. The tables relating to the output shafts give the maximum admissible value. This value must never be exceeded since it relates to the strength of the case. Particular conditions of radial load higher than the limits of the catalogue may occur. In this case, call our Technical Service and provide details on the application: direction of the load, direction of rotation of the shaft, type of service. In case of double extension shafts with radial load applied on both ends, the max. admissible radial loads must be defined according to the specific running conditions, in this case call our Technical Service. The radial load on the shaft is calculated with the following formula:

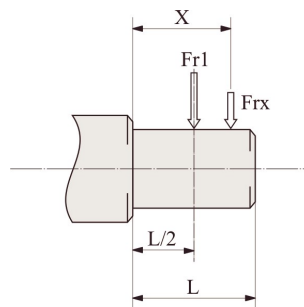
$$Fr_e = (2000 \cdot M \cdot fz) / D \leq Fr_1 \text{ or } Fr_2$$

- **Fr_e** [N] Resulting radial load
- **M** [Nm] Torque on the shaft
- **D** [mm] Diameter of the transmission member mounted on the shaft
- **Fr₁-Fr₂** [N] Value of the maximum admitted radial load (see relative tables)
- **fz** = 1,1 gear pinion - 1,4 chain wheel - 1,7 v-pulley - 2,5 flat pulley

2.9.2 Input

When the radial load is not on the centre line of the shaft, it is necessary to adjust the admissible radial load Fr₁ with the following formula: $Fr_x = (Fr_1 \cdot a) / (b + x)$

- **a, b** = values given in the tables
- **x** = distance from the point of application of the load to the shaft shoulder



	KXA	
	202-252-253-353	352
a	84	89
b	64	69
Fr₁ max (**)	500	830

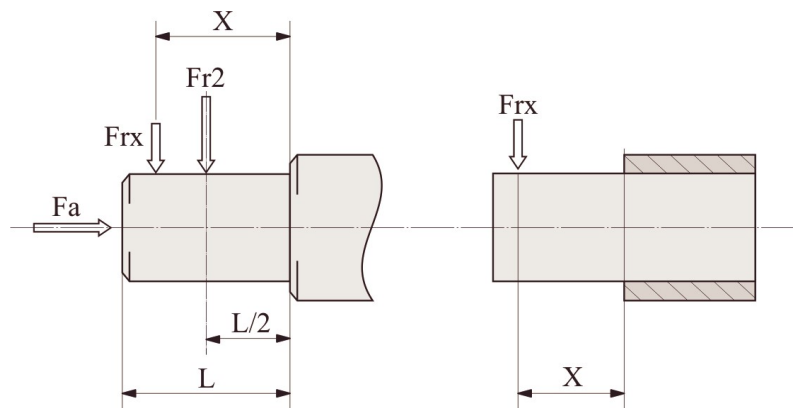
	KXB						
	353	403	503	603	703	903	1003
a	105	137	137	175	175	225	221
b	80	108	108	135	135	170	166
Fr₁ max (**)	2200	2500	3200	4200	7000	10000	12000

(**Fr₁ max) Max admissible value of the reducer in static conditions and/or for limited operations. For continuous overhung loads please check the values on the performances tables calculated according to the casing, the shaft and bearings.

2.9.3 Output

When the radial load is not on the centre line of the shaft, it is necessary to adjust the admissible radial load Fr2 with the following formula: $Fr_x = (Fr_2 \cdot a) / (b + x)$

- a , b = values given in the tables
- x = distance from the point of application of the load to the shaft shoulder



	KXA		
	202	252-253	352-353
a	105	119	145
b	85	94	116
D-S-P (Fr2 max **)	-	-	10000
C (Fr2 max **)	4000	4000	5500

	KXB						
	353	403	503	603	703	903	1003
a	129	190	225	262	306	348	468
b	100	150	175	202	236	278	363
D-S-P (Fr2 max **)	12000	18000	22000	30000	40000	65000	80000
C (Fr2 max **)	8000	12000	15000	20000	40000	65000	65000

(**Fr2 max) Max admissible value of the reducer in static conditions and/or for limited operations. For continuous overhung loads please check the values on the performances tables calculated according to the casing, the shaft and bearings.

2.10.1 Information

In cases of ambient temperatures not envisaged in the table, call our Technical Service. In the case of temperatures under -30°C or over 60°C it is necessary to use oil seals with special properties. For operating ranges with temperatures under 0°C it is necessary to consider the following:

1. The motors need to be suitable for operation at the envisaged ambient temperature.
2. The power of the electric motor needs to be adequate for exceeding the higher starting torques required.
3. In case of cast-iron gear reducers, pay attention to impact loads since cast iron may have problems of fragility at temperatures under -15°C .
4. During the early stages of service, problems of lubrication may arise due to the high level of viscosity taken on by the oil and so it is wise to have a few minutes of rotation under no load.

Oil (NON Atex products) must be changed after approx. 10000 hours/2 years of operation; this time varies based on the type of service and on the environment inside which the gear reducer is installed. Units not featuring any oil plug are life-lubricated, and therefore maintenance-free.

2.10.2 Lubricants

Specifications of lubricants recommended by Gear Solutions.

All units are supplied with ENI BLASIA 220 oil, unless otherwise specified by the client.

	KXB 353 ÷ 1003		KXA 202 ÷ 353
	Mineral oil		Mineral oil
$T_{\text{amb}}^{\circ}\text{C}$ ISO/SAE	(-5) ÷ (+40) ISO VG220	(-15) ÷ (+25) ISO VG150	(-5) ÷ (+40) SAE 85W-140
ENI	BLASIA 220	BLASIA 150	ROTRA MP (85W-140)
SHELL	OMALA S2 G 220	OMALA S2 G 150	SPIRAX S2 A 85W-140
KLUBER	Kluberoil GEM 1-220N	Kluberoil GEM 1-150N	Klubersynth GH 6-460
MOBIL	MOBILGEAR 600 XP220	MOBILGEAR 600 XP150	-
CASTROL	ALPHA SP 220	ALPHA SP 150	-
BP	ENERGOL GR-XP220	ENERGOL GR-XP150	-

2.10.3 Special lubricants

	$T_{amb}^{\circ C}$	Polyglycol synthetic oil
ENI	(-30) ÷ (+30)	Blasia S 150 (ISO VG150)
	(-20) ÷ (+40)	Blasia S 220 (ISO VG220)
MOBIL	(-45) ÷ (+0)	SCH 624 (ISO VG32)
	(-40) ÷ (+5)	SCH 626 (ISO VG68)
KLUBER	(-40) ÷ (+5)	Klubersynth GH 6-32 (ISO VG32)
	(-35) ÷ 10)	Klubersynth GH 6-80 (ISO VG80)
	(-30) ÷ (+40)	Klubersynth GH 6-150 (ISO VG150)
	(-25) ÷ (+40)	Klubersynth GH 6-220 (ISO VG220)
	(-15) ÷ (+50)	Klubersynth GH 6-460 (ISO VG460)
	(-10) ÷ (+70)	Klubersynth GH 6-680 (ISO VG680)
	$T_{amb}^{\circ C}$	Polyglycol synthetic oil for food grade
KLUBER	(-30) ÷ (+15)	Klubersynth UH1-6 100 (ISO VG100)
	(-25) ÷ (+40)	Klubersynth UH1-6 220 (ISO VG220)
	(-15) ÷ (+40)	Klubersynth UH1-6 320 (ISO VG320)
	(-15) ÷ (+50)	Klubersynth UH1-6 460 (ISO VG460)
	(-10) ÷ (+50)	Klubersynth UH1-6 680 (ISO VG680)

If 'special' lubricant is required please contact for Technical Assistance.

2.10.4 Quantity

- For the reduction units KXB series it is always necessary to specify the mounting position.
- The reduction units KXA.. series with 2, 3 stages and KXB353, are supplied complete with lubricant, have no oil plugs and need no maintenance.
- The gear reducer KXB series sizes 403, 503, 603, 703, 903, 1003 are supplied complete with lubricant and are fitted with oil plugs to suit any mounting position included in the catalogue.

It is recommended, after installation, to replace the closed plug used for transportation with the supplied breather plug. Oil quantity in the table (litres ~) are indicative; for a proper use you will have to refer to the level plug or the dipstick. Any level difference could depend on construction tolerances, but also by the placement of the unit or by the mounting surface at the customer's premises. It is appropriate to check and, if necessary, restores the level when the units are installed.

	KXA				
	202	252	253	352	353
B3	0,33	0,42	0,63	1	1,21
B8					
B6/B7					
V5					
V6					

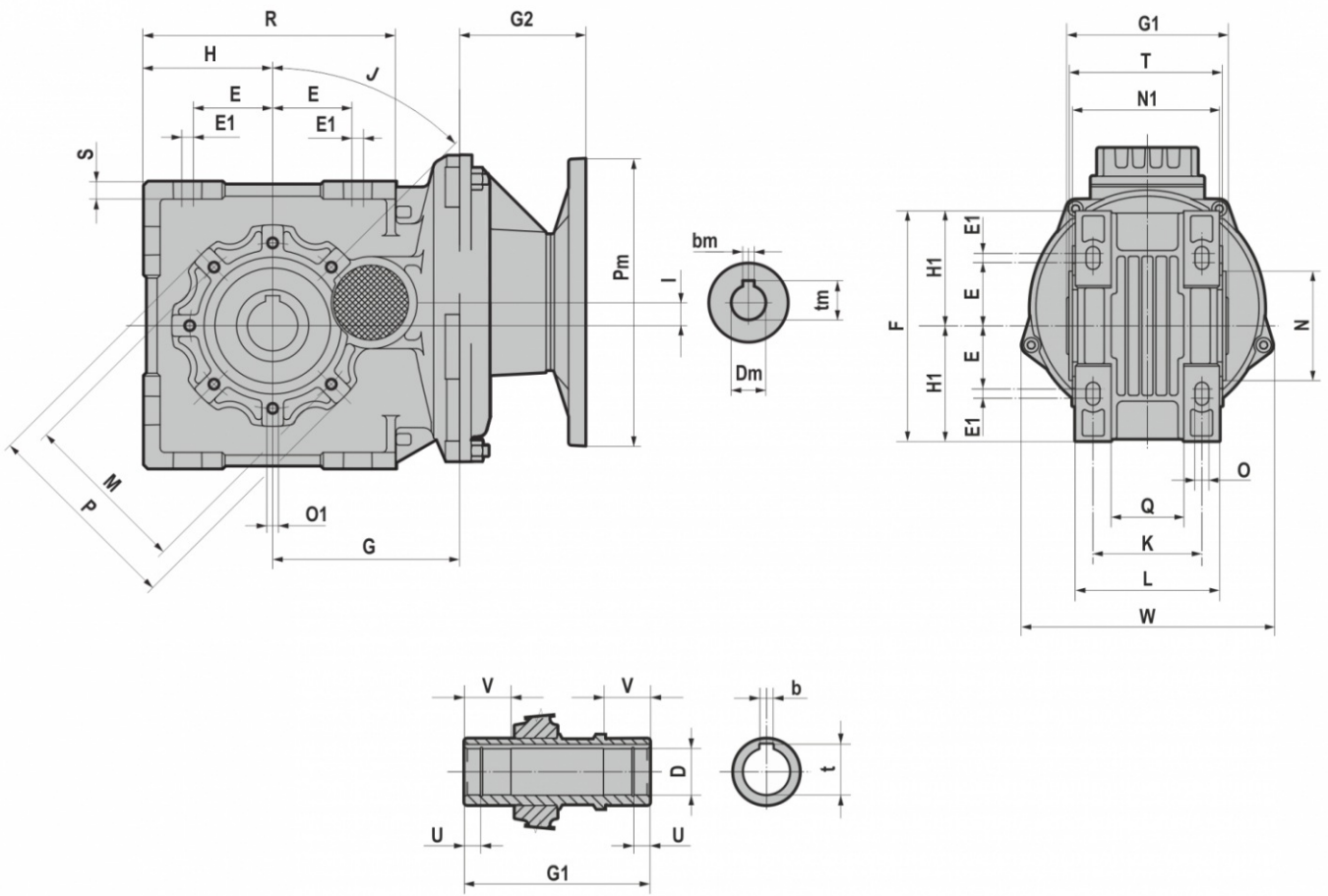
	KXB						
	353	403	503	603	703	903	1003
B3	1,2	2,5	3,7	5,7	11,1	19	33
B8	1,5	2,8	4,2	7,9	13	17,5	42,8
B6	1,5	3,5	6	8,5	14,5	26	43
B7	1,5	2,8	3,9	7,3	11,8	19	30
V5	2,1	3,7	7	9,9	18,5	32,5	54,5
V6	1,3	2,6	4,5	6,7	10,8	16,5	37,3

The following values of J_1 moment of inertia are only estimated, referred to the maximum calculated, and to the gearbox input side.

KXA-2/3	J_1 [Kg*m ²]
202/203	0,0001
252/253	0,0001
352/353	0,0003

KXB	J_1 [Kg*m ²]
353	0,0001
403	0,0003
503	0,0007
603	0,0010
703	0,0023
903	0,0035
1003	0,0093

3.1.1 KXAC..2



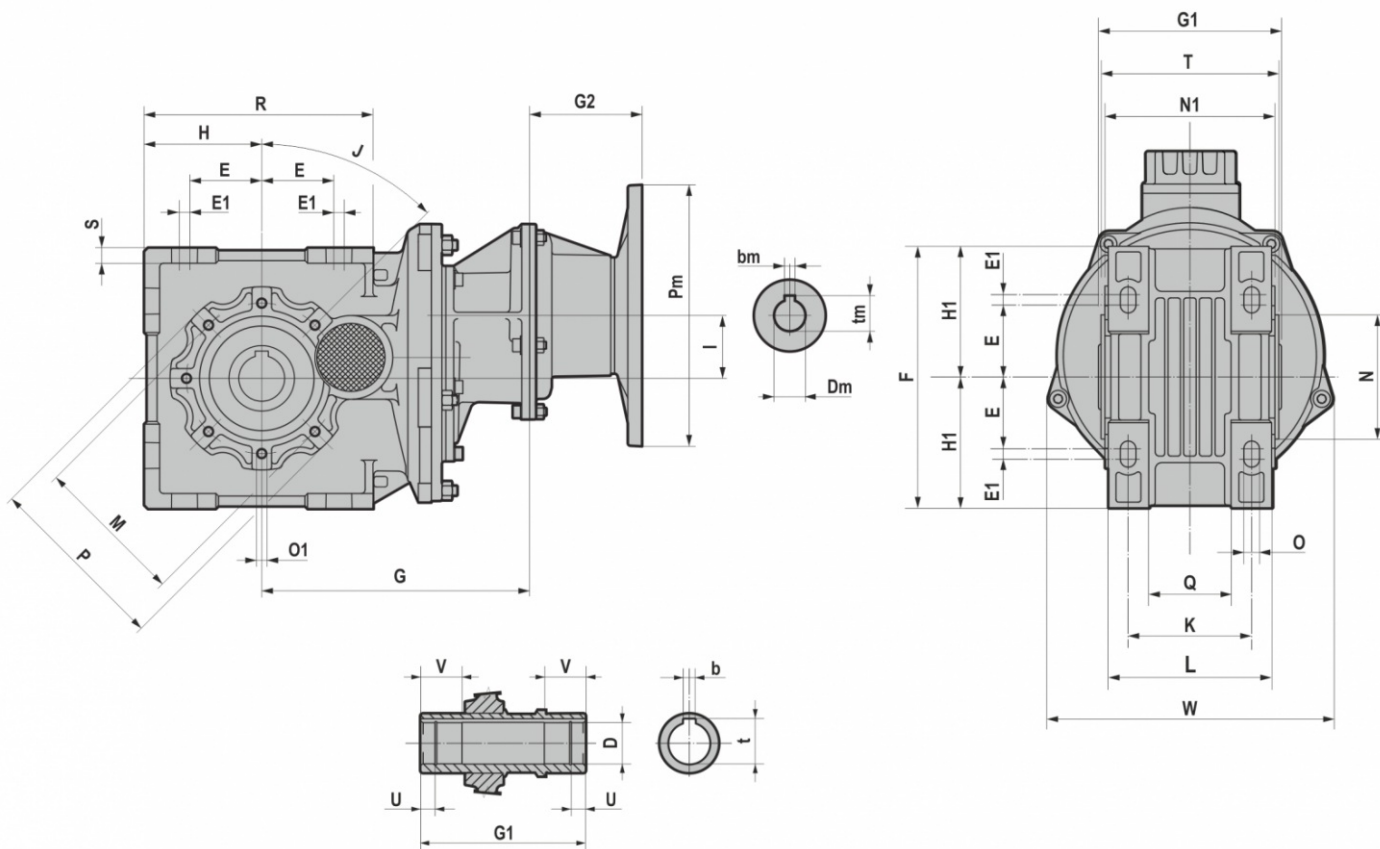
KXAC...	DH7	b	t	U	V	E	E1	F	G	G1	H	H1	I	J	K	L	M	N	N1	O	O1	P	Q	R	S	T	W
202	20	6	22,8	/	30	45	/	130	95	100	65	65	8	45	73,5	90	85	70	92	9	M8x12 n.4	100	45	127,5	8	97	152
	25	8	28,3	/	30	55	/	160	98	112	80	80	4,2	45	80	100	95	80	102	9	M8x14 n.6	110	51	153	10	108	152
352	35	10	38,3	12	35	55	8	200	129,5	140	90	100	16	45	94,5	125	115	95	130	12	M8x14 n.7	136	63	175	12	136	218
	30	8	33,3																								

IEC	Pm x Dm	Pm x Dm	G2 KXAC...	
			202-252	352
063	140x11	090x11	55	/
071	160x14	105x14	55	/
080	200x19	120x19	86	87,5
090	200x24	140x24	86	87,5
100-112	250x28	160x28	/	87,5

B5	Pm	Dm	bm	tm
063	140	11	4	12,8
071	160	14	5	16,3
080	200	19	6	21,8
090	200	24	8	27,3
100	250	28	8	31,3
112	250	28	8	31,3

B14	Pm	Dm	bm	tm
071	105	14	5	16,3
080	120	19	6	21,8
090	140	24	8	27,3
100	160	28	8	31,3
112	160	28	8	31,3

3.1.2 KXAC..3



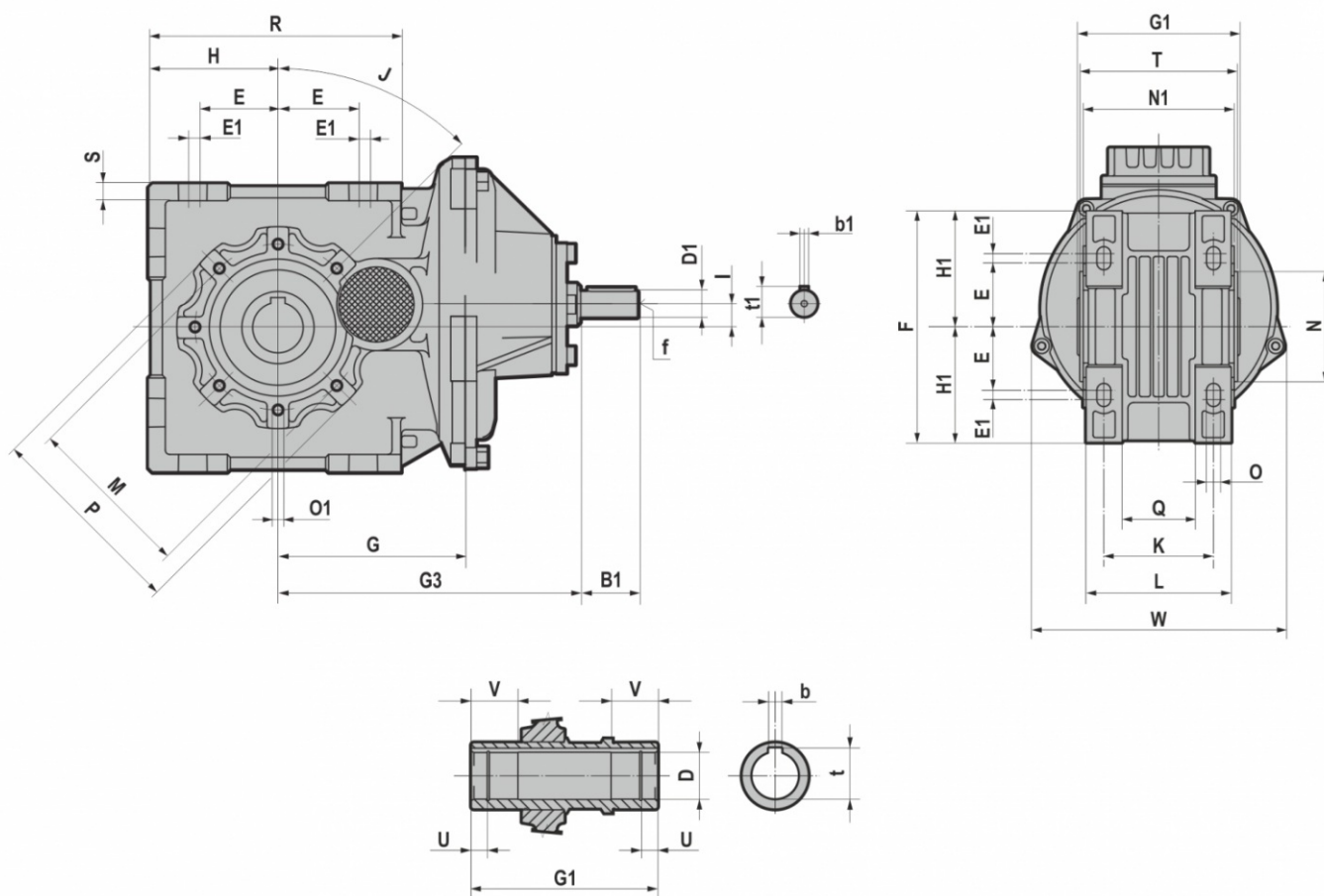
KXAC...	DH7	b	t	U	V	E	E1	F	G	G1	H	H1	I	J	K	L	M	N	N1	O	O1	P	Q	R	S	T	W
253	25	8	28,3	/	30	55	/	160	162	112	80	80	36,2	45	80	100	95	80	102	9	M8x14 n.6	110	51	153	10	108	152
	28	8	31,1																								
353	35	10	38,3	12	35	55	8	200	204,5	140	90	100	48	45	94,5	125	115	95	130	12	M8x14 n.7	136	63	175	12	136	218
	30	8	33,3																								

IEC	Pm x Dm	Pm x Dm	G2 KXAC...
			253-353
063	140X11	090x11	55
071	160X14	105x14	55
080	200X19	120x19	86
090	200X24	140x24	86

B5	Pm	Dm	bm	tm
063	140	11	4	12,8
071	160	14	5	16,3
080	200	19	6	21,8
090	200	24	8	27,3

B14	Pm	Dm	bm	tm
071	105	14	5	16,3
080	120	19	6	21,8
090	140	24	8	27,3

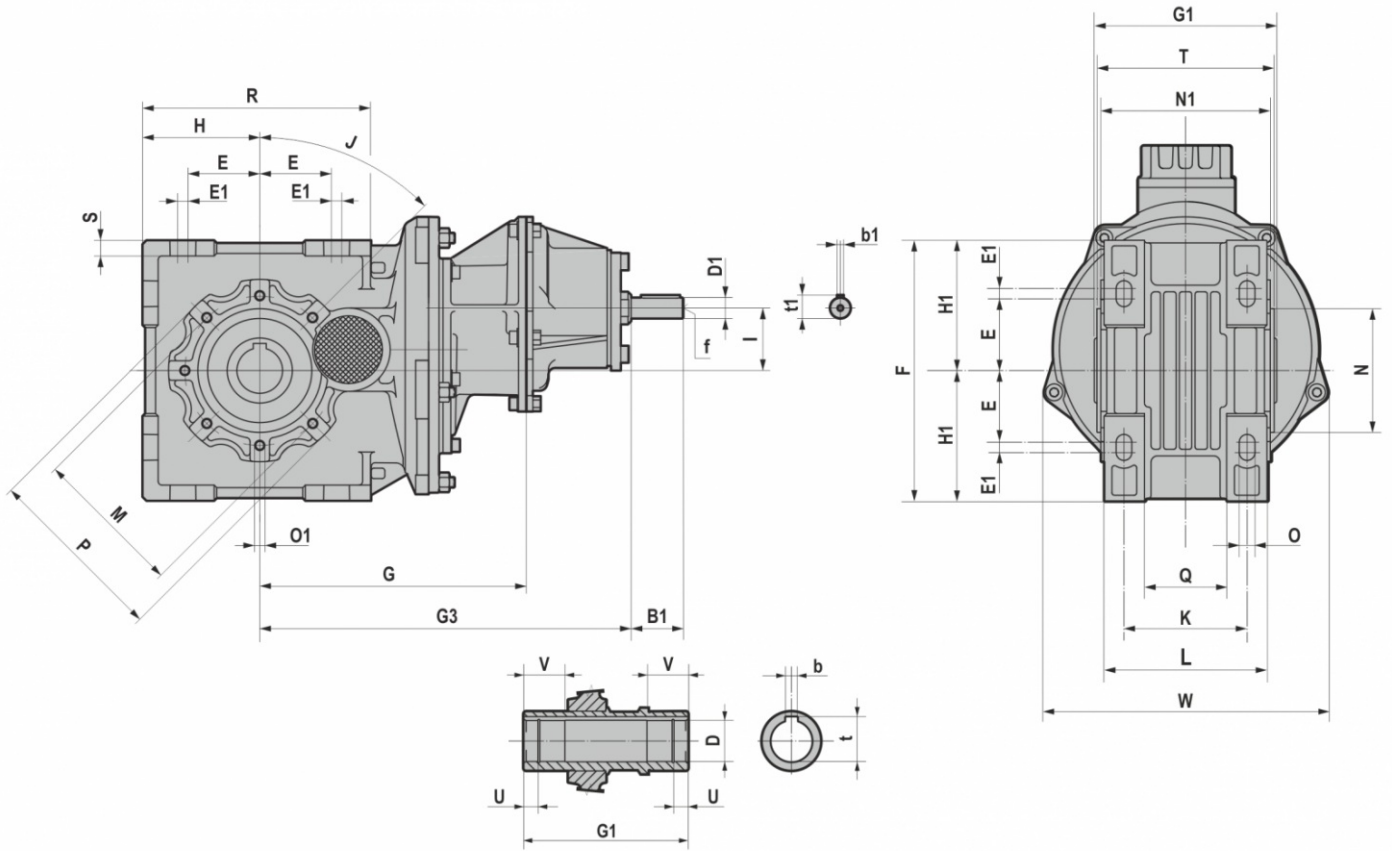
3.1.3 KXA..2



KXA...	D	H7	b	t	U	V	E	E1	F	G	G1	H	H1	I	J	K	L	M	N	N1	O	O1	P	Q	R	S	T	W
202	20	6	22,8	/	30	45	/	130	95	100	65	65	8	45	73,5	90	85	70	92	9	M8x12 n.4	100	45	127,5	8	97	152	
	25	8	28,3	/	30	55	/	160	98	112	80	80	4,2	45	80	100	95	80	102	9	M8x14 n.6	110	51	153	10	108	152	
352	35	10	38,3	12	35	55	8	200	129,5	140	90	100	16	45	94,5	125	115	95	130	12	M8x14 n.7	136	63	175	12	136	218	
	30	8	33,3																									

KXA...	G3	D1	B1	b1	t1	f
202	175,5	16	40	5	18	M6
252	179	16	40	5	18	M6
352	210	19	40	6	21,5	M6

3.1.4 KXA..3

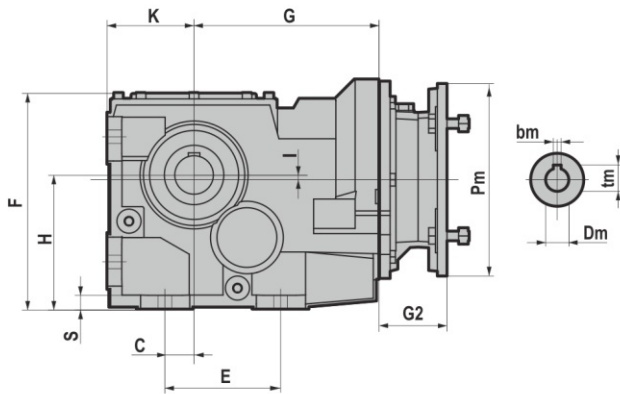


KXA...	D	H7	b	t	U	V	E	E1	F	G	G1	H	H1	I	J	K	L	M	N	N1	O	O1	P	Q	R	S	T	W
253	25	8	28,3	/	30	55	/	160	162	112	80	80	36,2	45	80	100	95	80	102	9	M8x14 n.6	110	51	153	10	108	152	
	28	8	31,1																									
353	35	10	38,3	12	35	55	8	200	204,5	140	90	100	48	45	94,5	125	115	95	130	12	M8x14 n.7	136	63	175	12	136	218	
	30	8	33,3																									

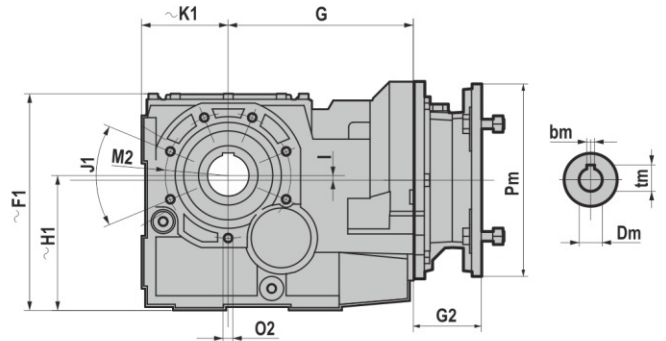
KXA...	G3	D1	B1	b1	t1	f
253	242,5	16	40	5	18	M6
353	285	16	40	5	18	M6

3.1.5 KXBC

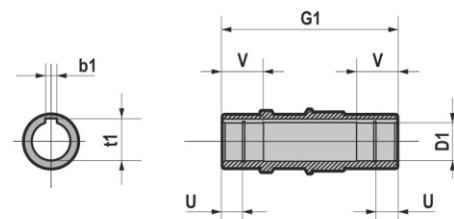
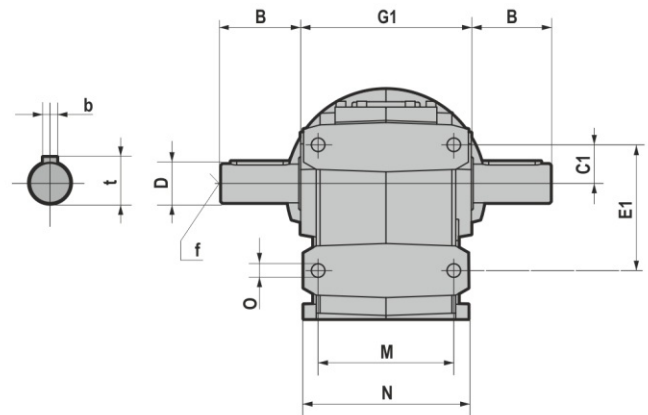
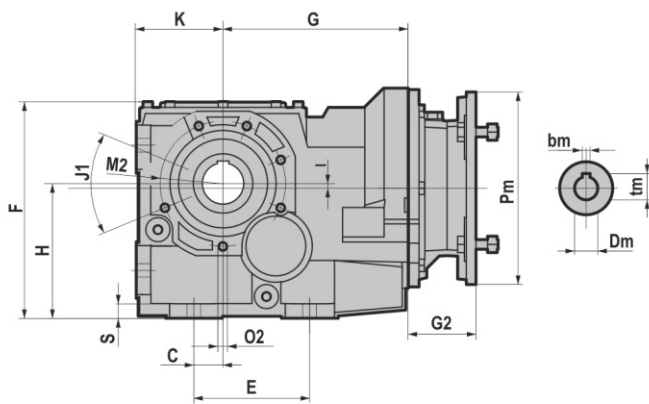
KXBC...



KXBC...F



KXBC...U



3.1 REDUCERS/GEARED MOTORS

KXBC...	D1 H7	b1	t1	U	V	B	D	b	t	f	C	C1	E	E1	F	F1
353	30	8	33,3	12	35	58	35 k6	10	38	M12	30	39	130	126	215	219,5
	35	10	38,3													
	40	12	43,3													
403	40	12	43,3	22,25	42	80	40 k6	12	43	M16	30	40	120	130	225	225
	45	14	47,6													
	35	10	38,3													
503	45	14	48,8	22,25	50	100	50 k6	14	53,5	M16	40	50	150	160	283	283
	50	14	53,8													
	48	14	51,8													
603	60	18	69,4	28	70	120	60 m6	18	64	M20	55	78	180	220	341	342
	50	14	53,8													
	55	16	59,3													
703	65	18	74,9	27,5	75	140	70 m6	20	74,5	M20	75	90	240	280	423	/
	70	20	74,9													
903	90	25	95,4	34	90	170	90 m6	25	95	M20	95	110	280	330	498	/
	80	22	85,4													
	75	20	79,9													
1003	100	28	106,4	40	100	210	110 m6	28	116	M20	115	155	350	420	615	/
	90	25	95,4													

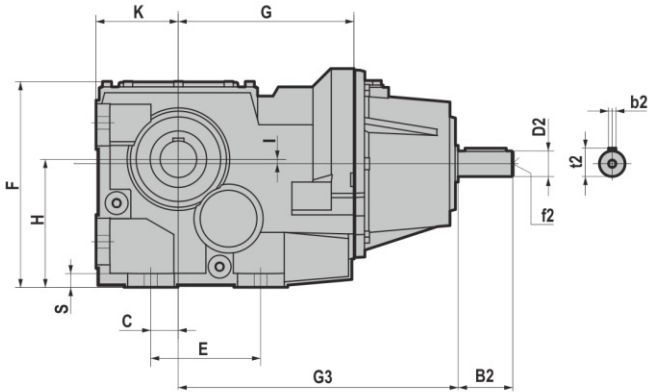
KXBC...	G	G1	H	H1	I	K	K1	M	N	O	S	J1	M2	O2
353	174	140	132	137	33	88	92,5	104	126	14	12	45	130	M10x20 (n.6)
403	192	180	140	140	5	90	90	140	170	14	15	45	130	M10x20 (n.6/7)
503	213,5	210	180	180	25	112	112	165	205	18	18	45	165	M12x22 (n.6/7)
603	246	240	212	213	33,5	132	133	180	230	22	22	45	185	M14x28 (n.7)
703	279	300	265	/	34	160	/	240	290	22	22	45	200	M14x30 (n.7)
903	353	350	315	/	35	200	/	270	330	26	26	45	245	M16x32 (n.7)
1003	426,5	445	375	/	47	230,5	/	330	400	38	45	45	298	M18x40 (n.6)

IEC	Pm x Dm	G2 KXBC...				
		353	403-503	603-703	903	1003
063	140x11	57	/	/	/	/
071	160x14	69,0	/	/	/	/
080	200x19	90,0	70,0	60,5	/	/
090	200x24	90,0	70,0	60,5	/	/
100-112	250x28	105,0	85,0	75,5	/	/
132	300x38	/	110,0	100,5	76,0	/
160	350x42	/	157,5	148,0	123,5	109,0
180	350x48	/	157,5	148,0	123,5	109,0
200	400x55	/	/	185,0	160,5	146,0
225	450x60	/	/	/	160,5	146,0
250	550*65	/	/	/	/	175,0
280	550*75	/	/	/	/	175,0

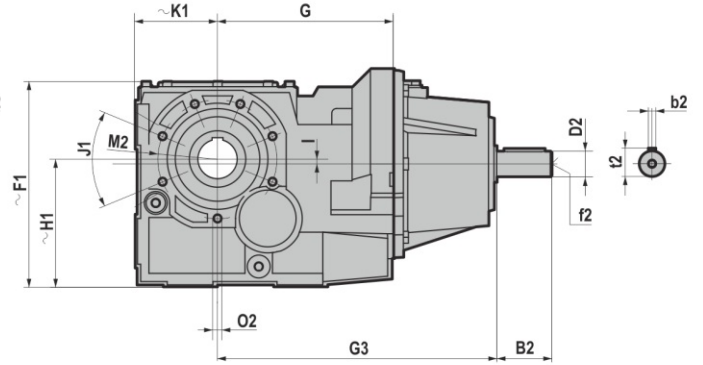
B5	Pm	Dm	bm	tm
063	140	11	4	12,8
071	160	14	5	16,3
080	200	19	6	21,8
090	200	24	8	27,3
100	250	28	8	31,3
112	250	28	8	31,3
132	300	38	10	41,3
160	350	42	12	45,3
180	350	48	14	51,8
200	400	55	16	59,3
225	450	60	18	64,4
250	550	65	18	69,4
280	550	75	20	79,9

3.1.6 KXB

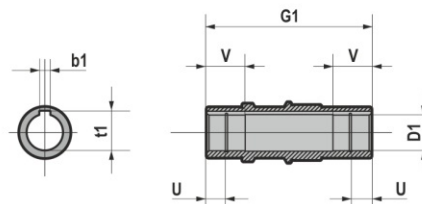
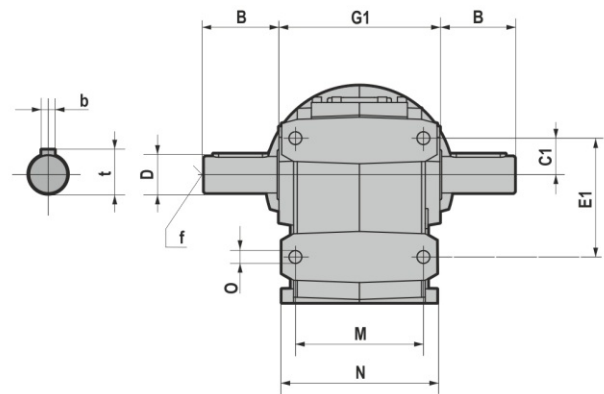
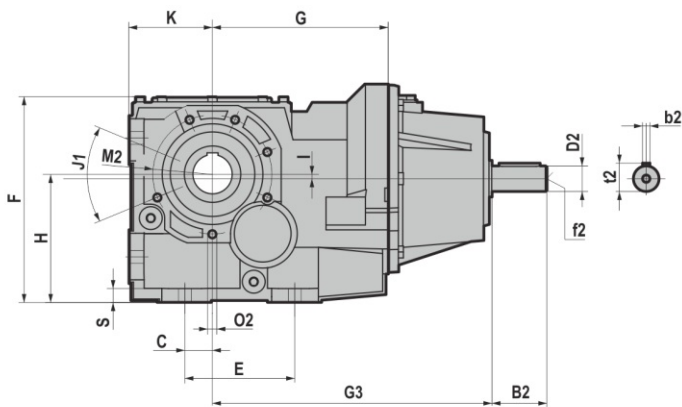
KXB...



KXB...F



KXB...U



3.1 REDUCERS/GEARED MOTORS

KXB...	D1 H7	b1	t1	U	V	B	D	b	t	f	C	C1	E	E1	F	F1
353	30	8	33,3	12	35	58	35 k6	10	38	M12	30	39	130	126	215	219,5
	35	10	38,3													
	40	12	43,3													
403	40	12	43,3	22,25	42	80	40 k6	12	43	M16	30	40	120	130	225	225
	45	14	47,6													
	35	10	38,3													
503	45	14	48,8	22,25	50	100	50 k6	14	53,5	M16	40	50	150	160	283	283
	50	14	53,8													
	48	14	51,8													
603	60	18	69,4	28	70	120	60 m6	18	64	M20	55	78	180	220	341	342
	50	14	53,8													
	55	16	59,3													
703	65	18	74,9	27,5	75	140	70 m6	20	74,5	M20	75	90	240	280	423	/
	70	20	74,9													
903	90	25	95,4	34	90	170	90 m6	25	95	M20	95	110	280	330	498	/
	80	22	85,4													
	75	20	79,9													
1003	100	28	106,4	40	100	210	110 m6	28	116	M20	115	155	350	420	615	/
	90	25	95,4													

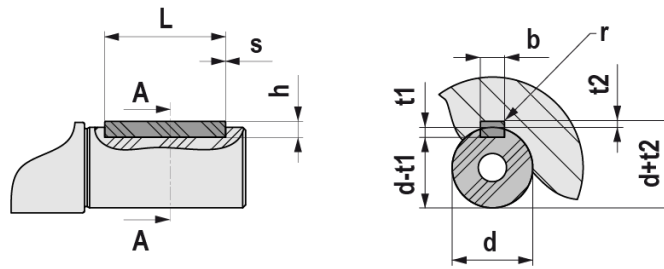
KXB...	G	G1	H	H1	I	K	K1	M	N	O	S	J1	M2	O2
353	174	140	132	137	33	88	92,5	104	126	14	12	45	130	M10x20 (n.6)
403	192	180	140	140	5	90	90	140	170	14	15	45	130	M10x20 (n.6/7)
503	213,5	210	180	180	25	112	112	165	205	18	18	45	165	M12x22 (n.6/7)
603	246	240	212	213	33,5	132	133	180	230	22	22	45	185	M14x28 (n.7)
703	279	300	265	/	34	160	/	240	290	22	22	45	200	M14x30 (n.7)
903	353	350	315	/	35	200	/	270	330	26	26	45	245	M16x32 (n.7)
1003	426,5	445	375	/	47	230,5	/	330	400	38	45	45	298	M18x40 (n.6)

KXB...	G3	B2	D2	b2	t2	f2
353	264	50	24 j6	8	27	M8
403	305	60	28 j6	8	31	M10
503	326,5	60	28 j6	8	31	M10
603	372,5	80	38 k6	10	41	M12
703	405,5	80	38 k6	10	41	M12
903	493	110	42 k6	12	45	M16
1003	561,5	110	48 k6	14	51,5	M16

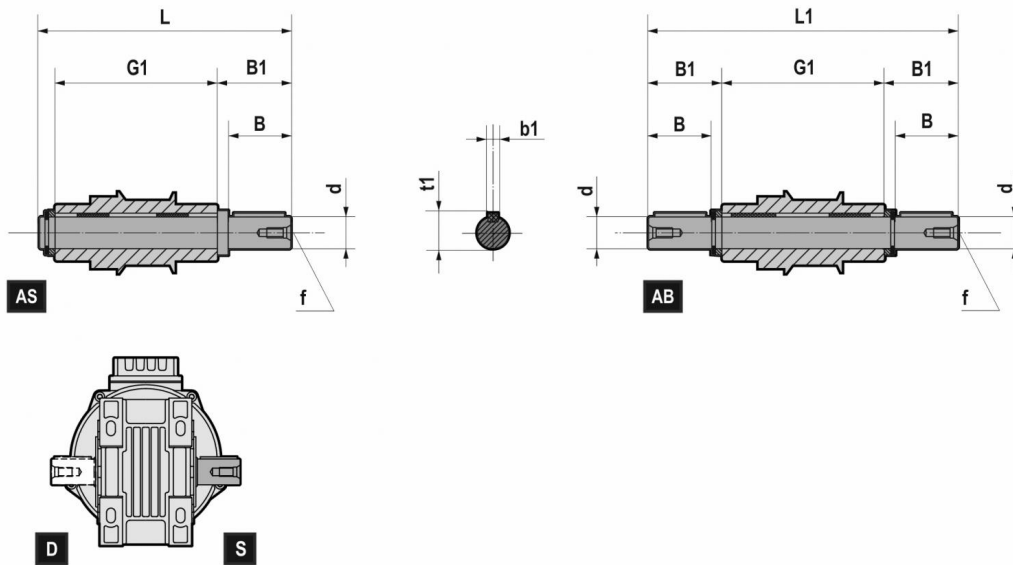
3.2 WEIGHT

The values reported in the tables are referred to the weight of the gearbox with lubricant excluded.
 *Weight without motor

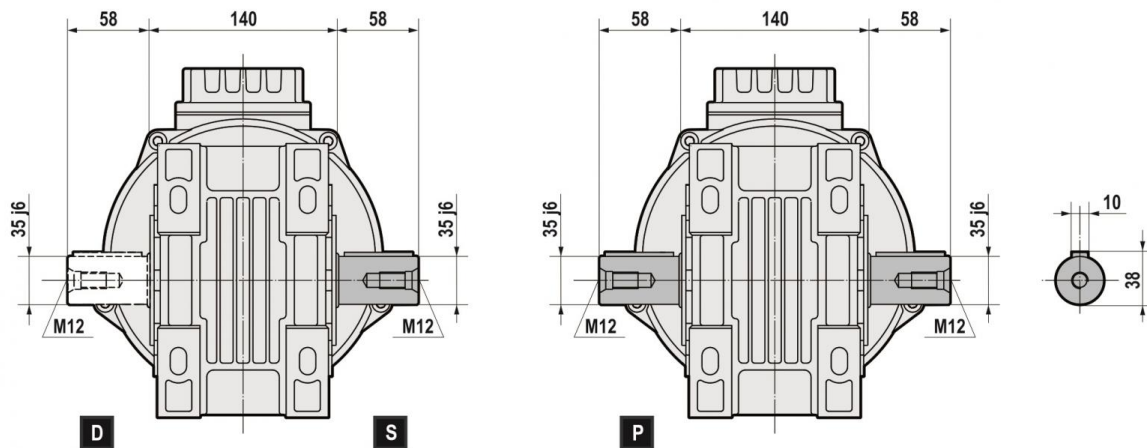
* KXAC-KXBC-KXBE	063	071	080-090	100-112	132	160-180	200	225	250	280		KXA-KXB	- kg
202	4,8	4,9	5,1	/	/	/	/	/	/	/	- kg	202	4,8
252	5,4	5,5	5,7	/	/	/	/	/	/	/		252	5,4
253	7,0	7,1	8,5	/	/	/	/	/	/	/		253	8,2
352	/	/	15,3	15,5	/	/	/	/	/	/		352	15,4
353	14,2	14,3	15,7	/	/	/	/	/	/	/		353	15,4
353	20,6	21	21,6	25,9	/	/	/	/	/	/		353	23,7
403	/	/	29,3	31,3	33,8	/	/	/	/	/		403	33,1
503	/	/	54,8	56,8	59,5	66,2	/	/	/	/		503	58,8
603	/	/	76,6	79	81,7	87,7	/	/	/	/		603	86,5
703	/	/	/	124	127	133	148	/	/	/		703	132
903	/	/	/	/	199	206,5	221	223	/	/		903	213
1003	/	/	/	/	/	385,3	449,8	457,1	473,5	473,5		1003	455,6



UNI 6604 - DIN 6885														
d		b x h			Tol. b/h	L		s min / max	b	t1	t2	Tol. t1/t2	r max	
	6	8	2	x	2	h9 / h9	6	20	0,16 0,25	2	1,2	1	0,1 0	0,08 0,16
>	8	10	3	x	3		6	36		3	1,8	1,4		
>	10	12	4	x	4		8	45		4	2,5	1,8		
>	12	17	5	x	5		10	56	0,25 0,4	5	3	2,3		0,16 0,25
>	17	22	6	x	6		14	70		6	3	2,8		
>	22	30	8	x	7		18	90		8	4	3,3		
>	30	38	10	x	8	22	110	0,4 0,6	10	5	3,3	0,25 0,4		
>	38	44	12	x	8	28	140		12	5	3,3			
>	44	50	14	x	9	36	160		14	5,5	3,8			
>	50	58	16	x	10	45	180		16	6	4,3			
>	58	65	18	x	11	50	200		18	7	4,4			
>	65	75	20	x	12	56	110		0,6 0,8	20	7,5		4,9	0,2 0
>	75	85	22	x	14	63	140	22		9	5,4			
>	85	95	25	x	14	70	160	25		9	5,4	0,4 0,6		
>	95	110	28	x	16	80	180	28		10	6,4			
>	110	130	32	x	18	90	200	32		11	7,4			
>	130	150	36	x	20	100	160	1 1,2		36	12	8,4	0,3 0	
>	150	170	40	x	22	110	180		40	13	9,4			
>	170	200	45	x	25	125	200		45	14	10,4	0,7 1		

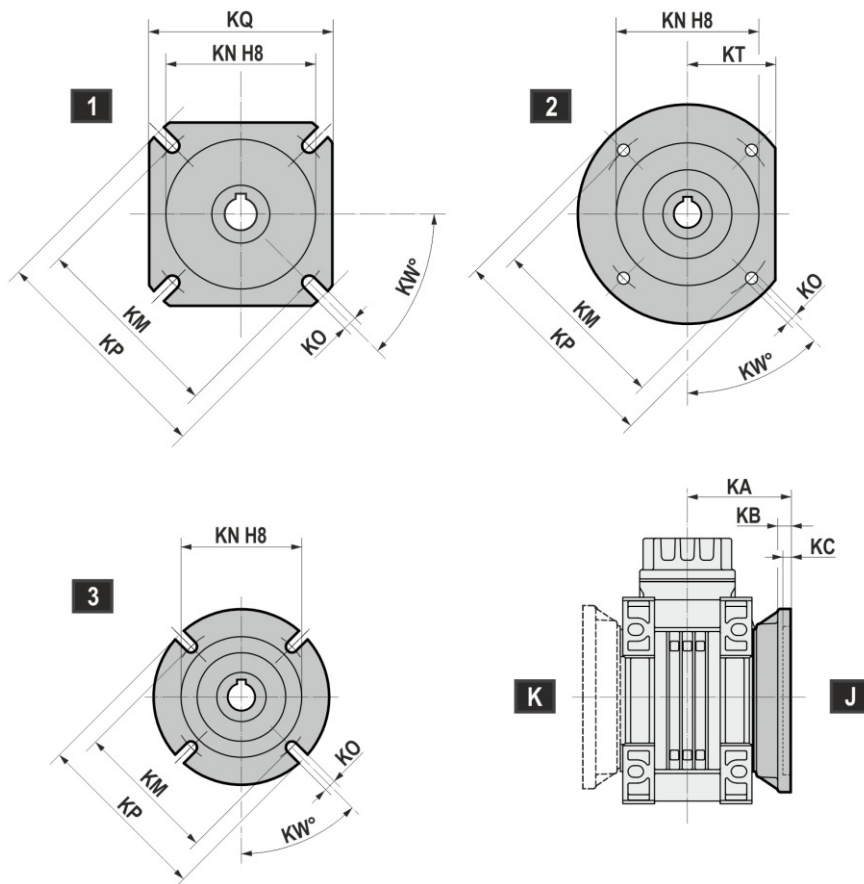


KXA352-353 solid shaft



	d h6	B	B1	G1	L	L1	f	b1	t1
KXA202	20	40	43,5	100	151	187	M6	6	22,5
KXA252-KXA253	25	50	53,5	112	173	219	M10	8	28
KXB353	35	58	62	140	210,5	264	M12	10	38
KXB403	40	80	84,25	180	273	348,5	M16	12	43
KXB503	50	100	105	210	325	420	M16	14	53,5
KXB603	60	120	125	240	375	490	M20	18	64
KXB703	70	140	146	300	458	592	M20	20	74,5
KXB903	90	170	176,5	350	540	703	M20	25	95
KXB1003	100	210	217,5	445	677	880	M20	28	106

4.2.1 KXA

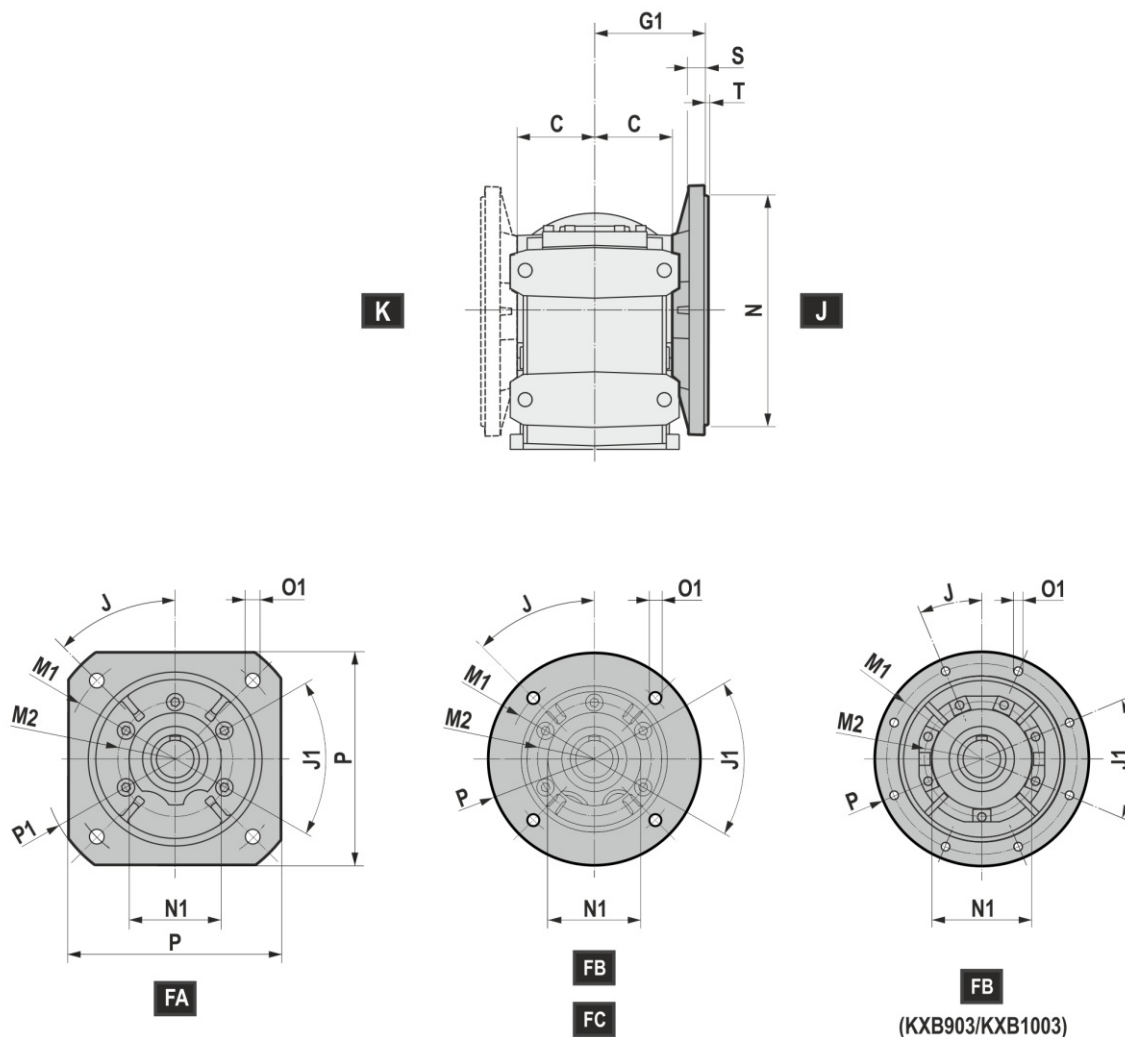


	KXA 202	KXA 252-253	KXA 352-353
FA	1	1	1
FB	1	1	3
FC	2	2	-
FD	2	2	-

KXA..		KA	KB	KC	KN	KM	KO	KP	KQ	KT	KW
202	FA	92,5	9	5	70	90 min	11 (n°4)	125	110	-	45°
	FB	122,5	9	5	70	90 min	11 (n°4)	125	110	-	45°
	FC	91,5	10	5	110	130	9.5 (n°4)	160	-	66	45°
	FD	74,5	14,5	5	95	115	11 (n°4)	140	-	60	45°
252 253	FA	80	10	6	115	150	11 (n°4)	180	142	-	45°
	FB	110	10	6	115	150	11 (n°4)	180	142	-	45°
	FC	96	10	5	130	165	11 (n°4)	200	-	80	45°
	FD	105	10	5	130	165	11 (n°4)	200	-	-	45°
352 353	FA	119	13	6	130	165	14 (n°4)	200	170	-	45°
	FB	98	13	6	110	130	11 (n°4)	160	-	-	45°

Unless specified otherwise, the reduction unit is supplied with the accessories in pos. J referred to position B3/B5.

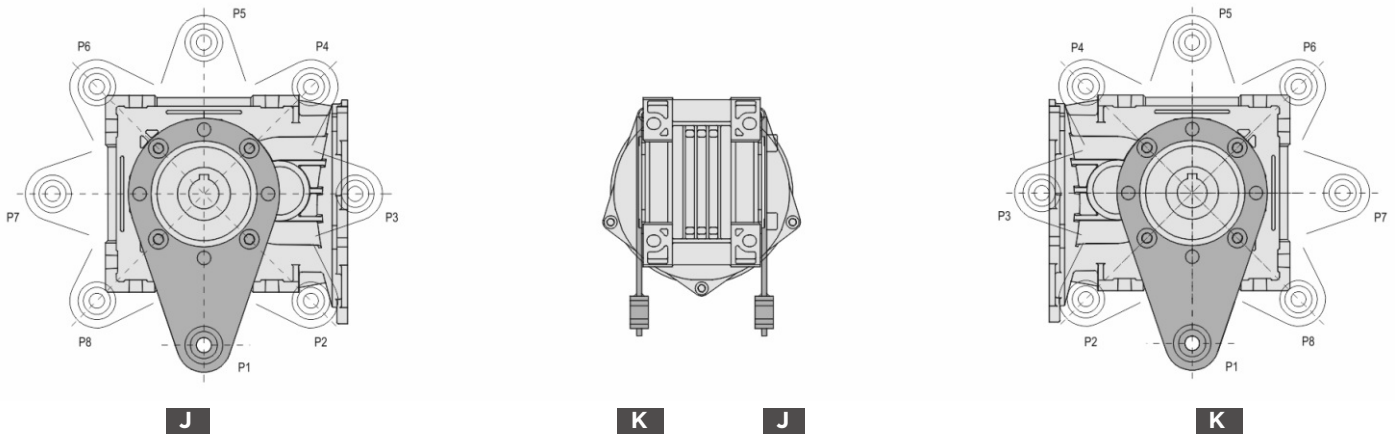
4.2.2 KXB



KXB..F - KXB..U		J	J1	M1	M2	N f8	N1	O1	P	P1	S	T	C	G1
353	FA	45	45	265	130	230	110	14	250	300	15	4	61,5	93,5
	FB	45	45	215	130	180	110	14	250	/	15	4		
	FC	45	45	165	130	130	110	11	200	/	15	3,5		
403	FA	45	45	265	130	230	110	14	250	300	15	4	78	110
	FB	45	45	215	130	180	110	14	250	/	15	4		
	FC	45	45	165	130	130	110	11	200	/	15	3,5		
503	FA	45	45	300	165	250	130	18	300	350	16	5	95	135
	FB	45	45	265	165	230	130	14	300	/	16	4		
	FC	45	45	215	165	180	130	14	250	/	16	4		
603	FA	45	45	350	185	300	150	18	350	400	18	5	107,5	150
	FB	45	45	300	185	250	150	18	350	/	18	5		
	FC	45	45	265	185	230	150	14	300	/	18	4		
703	FB	45	45	350	200	300	170	18	400	/	18	5	138	187,5
903	FB	22,5	45	400	245	350	210	18	450	/	25	5	162,5	207,5
	FC	45	45	350	245	300	210	18	400	/	25	5		
1003	FA	22,5	45	500	298	450	255	18	550	/	28	5	202,5	256

Unless specified otherwise, the reduction unit is supplied with the accessories in pos. J referred to position B3/B5.

4.3.1 Torque arm: KXA Mounting position

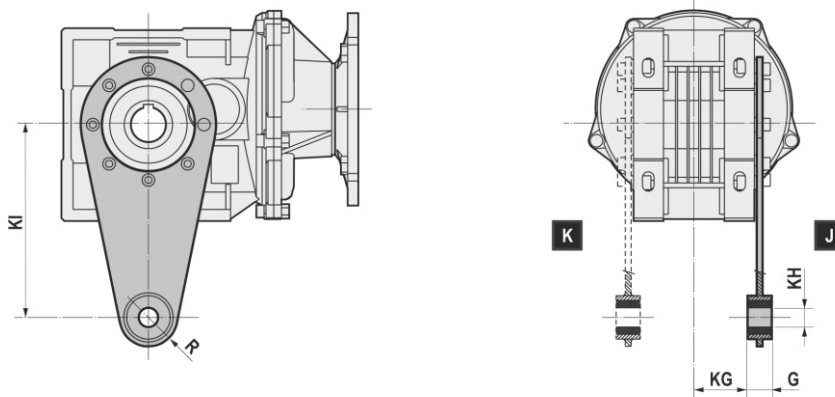


KXA	P1		P2		P3		P4		P5		P6		P7		P8		
	J	K	J	K	J	K	J	K	J	K	J	K	J	K	J	K	
202		*	/	/	/	/	/	/			/	/				/	/
252/253			/	/	/	/	/	/									
352/353			/	/	/	/	/	/									

(*) Not available with Shrink disc

(/) Not available

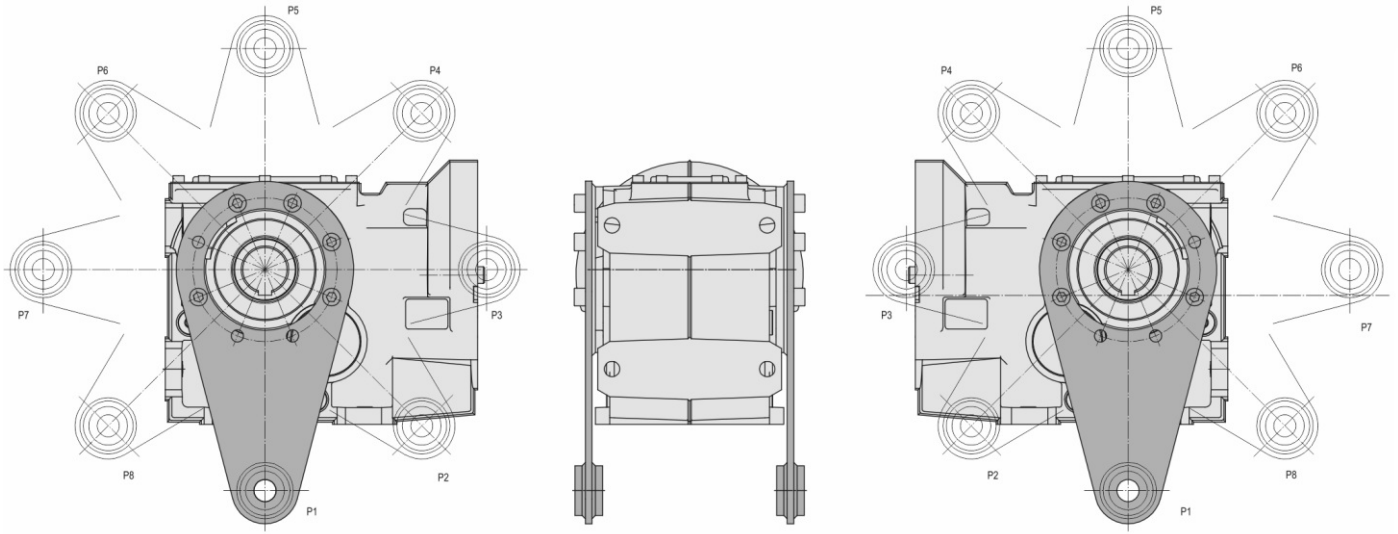
4.3.2 Torque arm: KXA Dimensions



KXA	KI	KG	KH +0,3/0	G	R
202	100	41	10	14	18
252/253	150	47	10	14	18
352/353	200	55,5	20	25	30

Unless specified otherwise, the reduction unit is supplied with the accessories in pos. J referred to position B3/B5.

4.3.3 Torque arm: KXB Mounting position



J

K

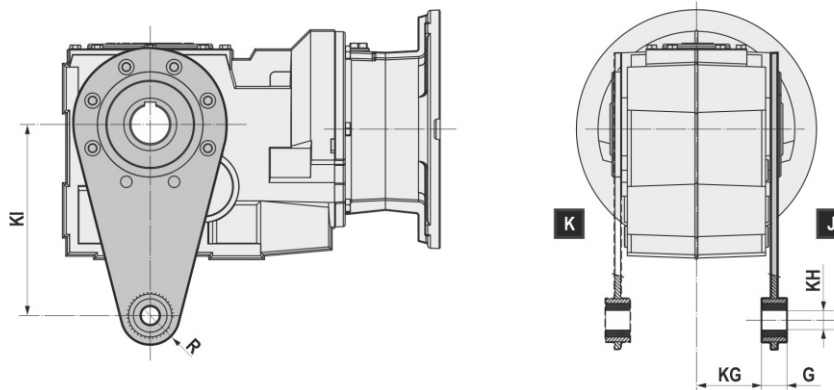
J

K

KXB	P1		P2		P3		P4		P5		P6		P7		P8		
	J	K	J	K	J	K	J	K	J	K	J	K	J	K	J	K	
353					/	/											
403			/	/	/	/											
503			/	/	/	/											
603			/	/	/	/											

(/) Not available

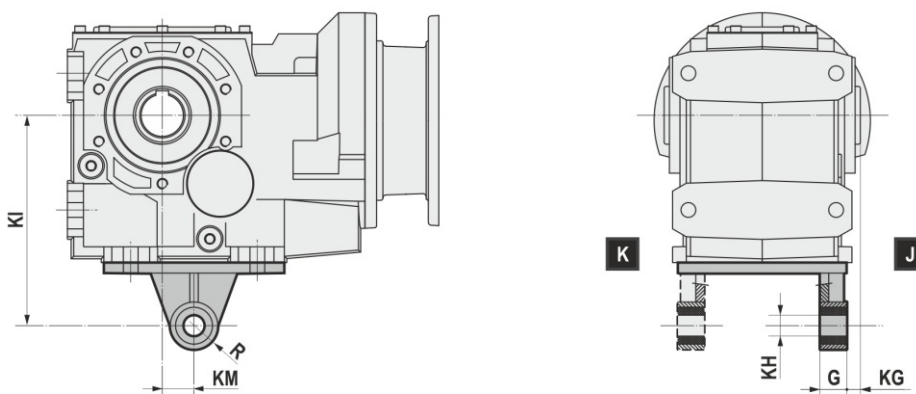
4.3.4 Torque arm: KXB353-403-503-603 Dimensions



KXB	KI	KG	KH +0,2/0	G	R
353S	200	62	20	25	30
403S	200	68,5	20	25	30
503S	250	83	25	30	35
603S	300	91,5	25	40	40
353U	200	62	20	25	30
403U	200	78,5	20	25	30
503U	250	95	25	30	35
603U	300	103,5	25	40	40

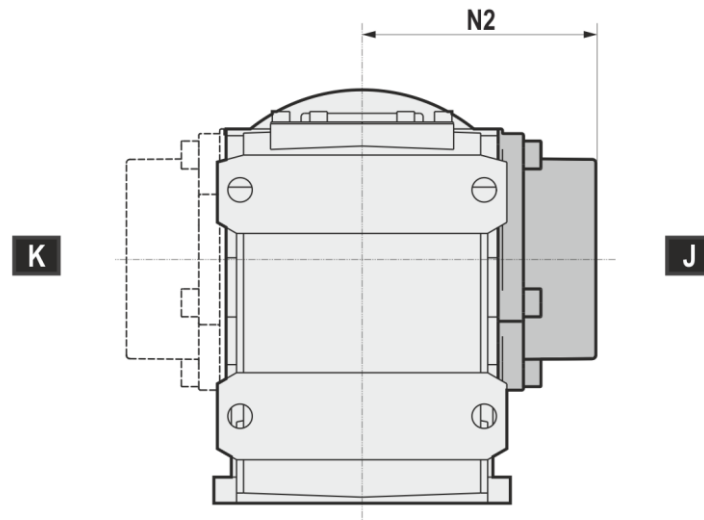
Unless specified otherwise, the reduction unit is supplied with the accessories in pos. J referred to position B3/B5.

4.3.5 Torque arm: KXB703-903-1003 Dimensions



KXB	KM	KI	KG	KH +0,2/0	G	R
703	45	350	40	30	60	45
903	45	450	45	30	60	45
1003	60	550	7,5	40	110	65

Unless specified otherwise, the reduction unit is supplied with the accessories in pos. J referred to position B3/B5.



KXB	N2
353	117,5
403	134
503	150
603	174
703	217
903	256,5
1003	301,5

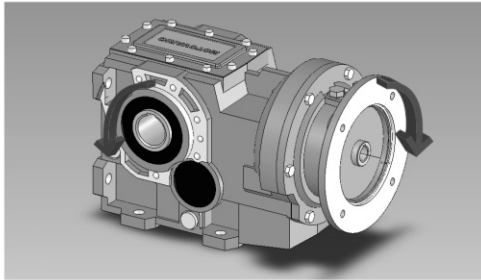
Version L, M, FL, FM, UL, UM supplied not assembled.

Accessory not certified ATEX.

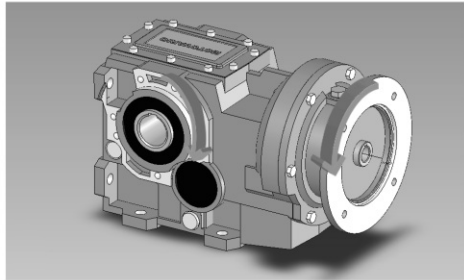
The gear reducer can be supplied with backstop device on input shaft. Backstop device allows output shaft rotation in only one sense of direction; according to the size, it is available in the input flange or in the motor with the same dimensions. It is important to specify the required sense of direction on the order. This device is not available for mounting position V5 with motor size IEC 100...280. On request, the direction of rotation of low speed shaft can be reversed; in this case, it is necessary to specify "opposite rotation" to catalogue when ordering.

SENSE OF DIRECTION AVAILABLE
STANDARD

KXA..2/S - KXA..3/C-D-P-L - KXB..3/C-D-P-L

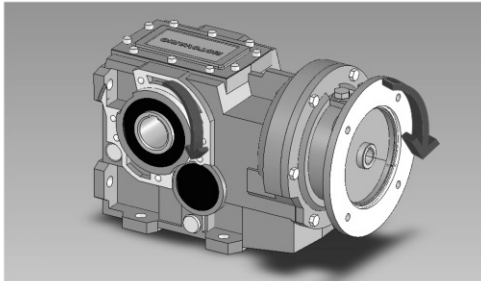


CLOCKWISE SENSE OF DIRECTION
REFERRED TO HIGH SPEED SHAFT

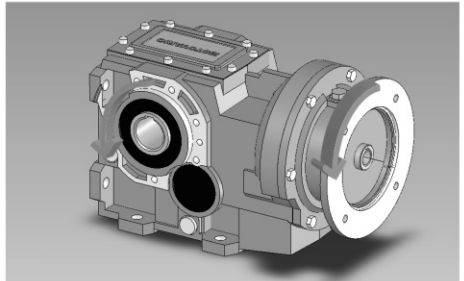


COUNTER CLOCKWISE SENSE OF DIRECTION
REFERRED TO HIGH SPEED SHAFT

KXA..2/C-D-P-L - KXA..3/S - KXB..3/S-M



CLOCKWISE SENSE OF DIRECTION
REFERRED TO HIGH SPEED SHAFT

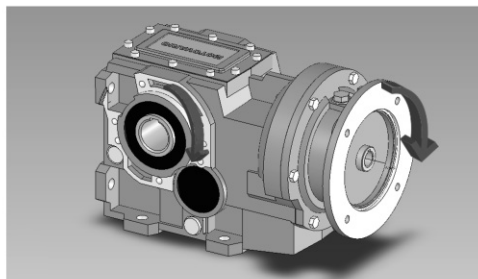


COUNTER CLOCKWISE SENSE OF DIRECTION
REFERRED TO HIGH SPEED SHAFT

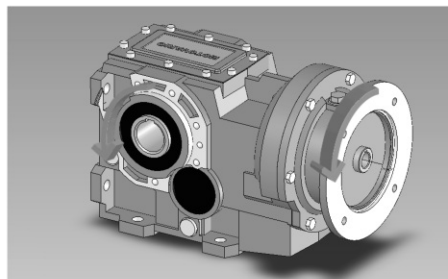
4.5 BACKSTOP DEVICE

SENSE OF DIRECTION AVAILABLE
OPPOSITE ROTATION

KXA..2/S - KXA...3/C-D-P-L - KXB...3/C-D-P-L

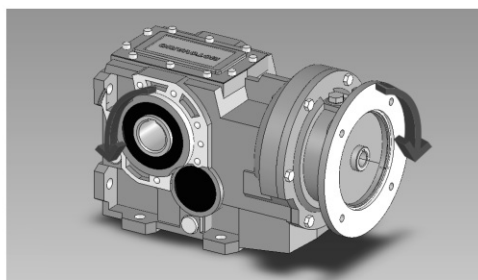


CLOCKWISE SENSE OF DIRECTION
REFERRED TO HIGH SPEED SHAFT

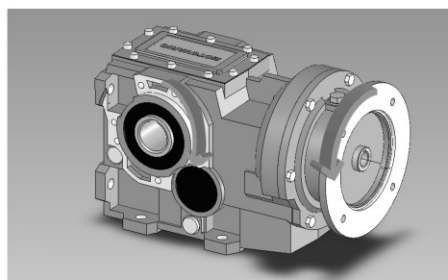


COUNTER CLOCKWISE SENSE OF DIRECTION
REFERRED TO HIGH SPEED SHAFT

KXA..2/C-D-P-L - KXA..3/S - KXB..3/S-M



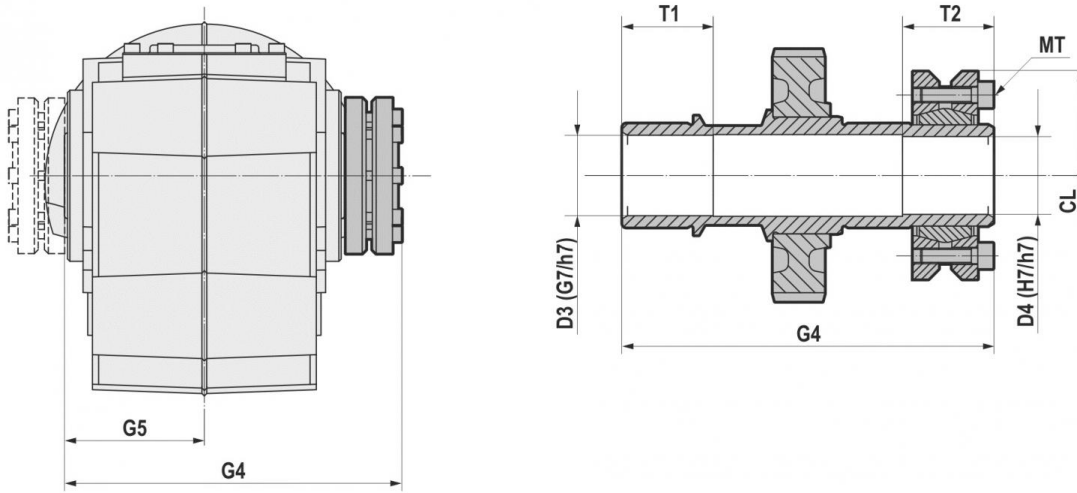
CLOCKWISE SENSE OF DIRECTION
REFERRED TO HIGH SPEED SHAFT



COUNTER CLOCKWISE SENSE OF DIRECTION
REFERRED TO HIGH SPEED SHAFT

	063	071	080	090	100-112	132	160	180	200	225	250	280
KXB	140x11	160x14	200x19	200x24	250x28	300x38	350x42	350x48	400x55	450x60	550x65	550x75
353	B5	B5	B5	B5	B5							
403			B5	B5	B5	B5						
503			B5	B5	B5	B5	B5					
603				B5	B5	B5	B5	B5				
703					B5	B5	B5	B5	B5			
903						B5	B5	B5	B5	B5		
1003							B5	B5	B5	B5	B5	B5

Clean and degrease the surfaces of the shaft to be fitted to. Comply with the indicated tightening torque of screws (M_T).

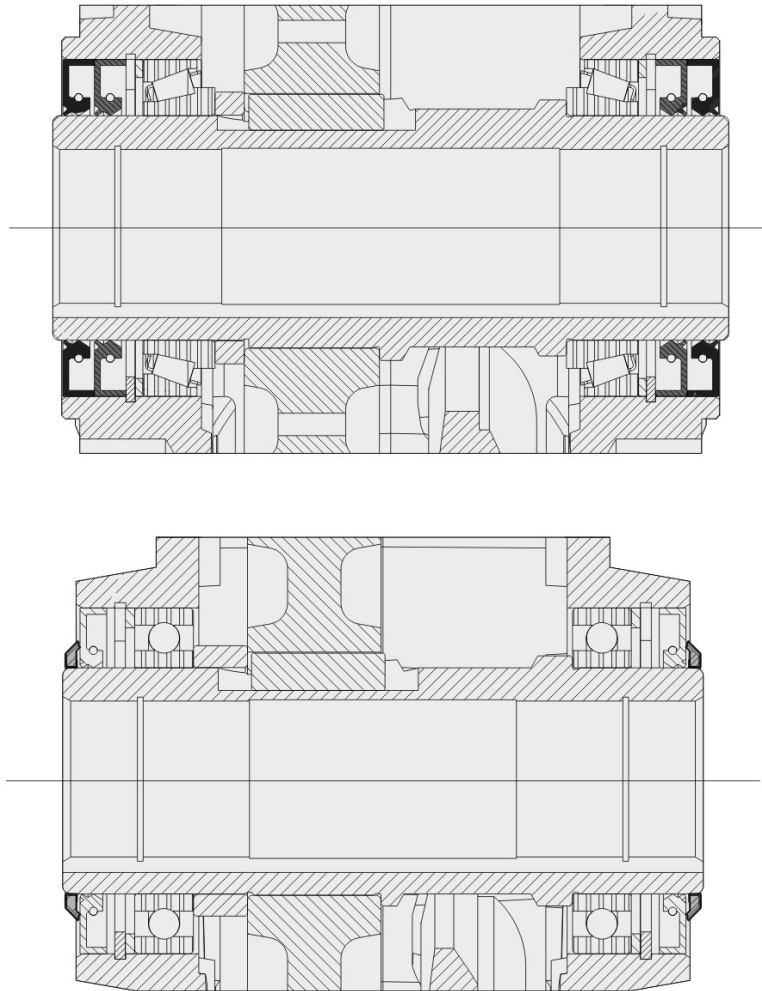


KXA-KXB	D3	D4	G4	G5	T1	T2	CL	M_T 12,9 [Nm]
KXA202	24	24	130	50	25	35	72	15
KXA252-253	31	30	143	56	35	35	80	15
KXA352-353	36	35	173	70	40	35	80	15
KXB353	36	35	173	70	40	35	80	15
KXB403	41	40	217	90	50	40	100	15
KXB503	51	50	248	105	55	40	115	15
KXB603	61	60	282	120	60	50	145	40
KXB703	72	70	355	150	70	65	170	50
KXB903	92	90	415	175	80	75	184	70
KXB1003	102	100	512	222,5	100	100	215	70

4.7 REINFORCED OIL SEALS FOR OUTPUT SHAFT

The reinforced seal can be done depending on the gearbox size by means of two oil seals or through the standard oil seal with VRM ring. The difference of the two solutions is explained on the drawings.

On request the gear reducer can be supplied with fluoroelastomer FPM (FKM) seals.

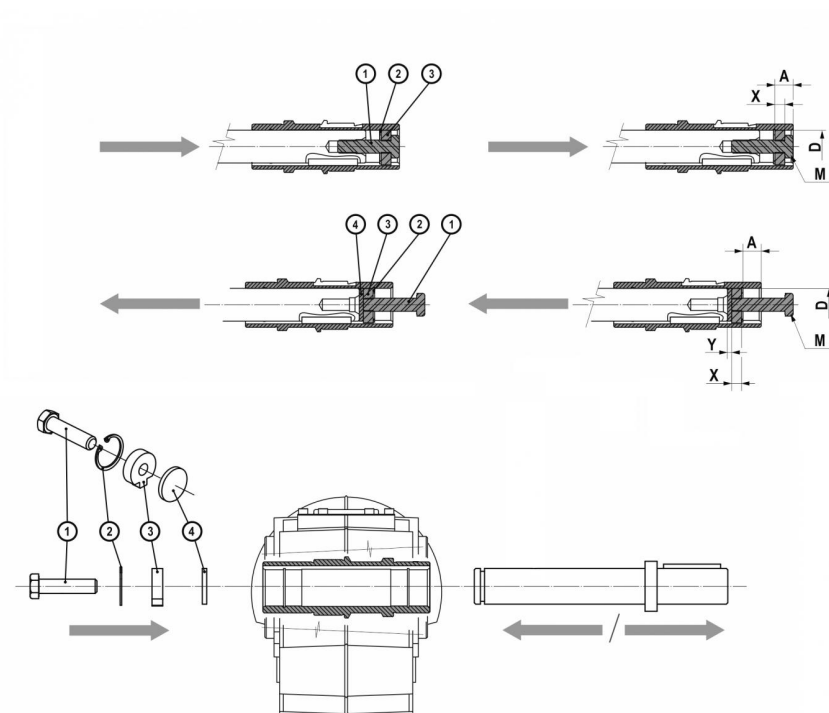


KXB	Double oil seal	VRM ring
353		x
403		x
503		x
603		x
703	x	
903	x	
1003	x	

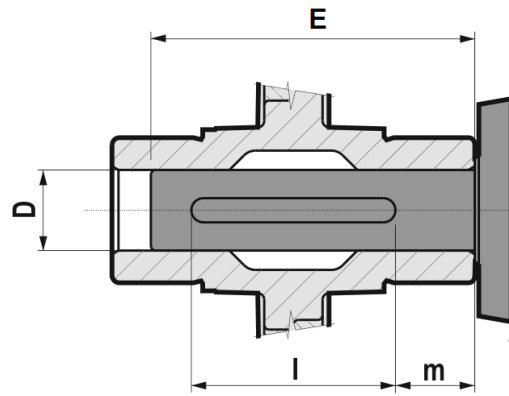
4.8 ASSEMBLING/DISASSEMBLING KIT

Mounting/dismounting kit for hollow shaft gear reducers with keyway that includes:

1. Retaining bolt
2. Circlip
3. Fixed nut
4. Forcing washer



KXA - KXB	D	A	X	Y	M
KXA202	20	-	-	-	-
KXA252/KXA253	25	-	-	-	-
	28				
KXA352/KXA353	25	12	12	5	M12x45
	30	13,8	10		M10x35
KXB353	35	12	12	5	M12x45
	40				M16x50
KXB403	40	22,25	12	5	M16x50
	45				
KXB503	50	25	12	5	M16x50
KXB603	60	28	16	5	M20x70
KXB703	70	27,5	16	5	M20x70
KXB903	90	34	20	5	M24x60
KXB1003	100	40	20	5	M24x120



	D H7/h6	E*	l*	m*
KXA202	20	90	60	15
KXA252/KXA253	25	95	60	18
	28			
KXA352/KXA353	30	105	80	13
	35			
KXB353	35	105	80	13
	40			
KXB403	40	135	100	18
	45			
KXB503	50	160	120	20
KXB603	60	185	140	23
KXB703	70	240	170	35
KXB903	90	280	200	40
KXB1003	100	370	270	50

(*) Suggested values.

5.1 KXBC/KXAC GEARED MOTORS (50Hz)

0,09 kW

n2 [rpm]	M2 [Nm]	fs	i	Gear reducer	Motor Size	Motor Pole	Fr2 D-S-P [N]	Fr2 C [N]
25,5	32	3,9	33,78	KXACM202	63A	6	-	3507
18,3	45	2,8	47,12	KXACM202	63A	6	-	3918
15,0	55	2,3	57,43	KXACM202	63A	6	-	4000
13,4	61	1,9	64,13	KXACM202	63A	6	-	4000
13,3	62	3,4	64,87	KXACM252	63A	6	-	4000
11,7	67	3,5	73,70	KXACM253	63A	6	-	4000
11,0	75	1,5	78,17	KXACM202	63A	6	-	4000
10,9	76	2,8	79,07	KXACM252	63A	6	-	4000
9,2	85	2,7	93,33	KXACM253	63A	6	-	4000
7,7	101	2,3	111,61	KXACM253	63A	6	-	4000
6,3	124	1,9	136,53	KXACM253	63A	6	-	4000
5,7	136	3,5	149,73	KXACM353	63A	6	10000	5500
5,0	157	1,5	172,53	KXACM253	63A	6	-	4000
4,8	164	2,9	180,23	KXACM353	63A	6	10000	5500
4,4	179	1,3	197,11	KXACM253	63A	6	-	4000
3,9	203	2,3	222,93	KXACM353	63A	6	10000	5500
3,5	226	1,0	249,08	KXACM253	63A	6	-	4000
3,3	236	2,0	260,20	KXACM353	63A	6	10000	5500
3,2	246	0,9	271,16	KXACM253	63A	6	-	4000
2,7	292	1,6	321,85	KXACM353	63A	6	10000	5500
2,4	325	1,5	357,95	KXACM353	63A	6	10000	5500
1,9	402	1,2	442,76	KXACM353	63A	6	10000	5500

0,12 kW

n2 [rpm]	M2 [Nm]	fs	i	Gear reducer	Motor Size	Motor Pole	Fr2 D-S-P [N]	Fr2 C [N]
30,7	36	3,5	28,00	KXACM202	63B	6	-	3294
28,4	38	3,1	47,12	KXACM202	63A	4	-	3379
27,5	40	3,2	31,27	KXACM202	63B	6	-	3417
25,5	43	2,9	33,78	KXACM202	63B	6	-	3507
23,3	47	2,6	57,43	KXACM202	63A	4	-	3610
20,9	52	2,1	64,13	KXACM202	63A	4	-	3745
20,7	53	3,8	64,87	KXACM252	63A	4	-	4000
20,5	54	3,9	41,97	KXACM252	63B	6	-	4000
18,3	60	2,1	47,12	KXACM202	63B	6	-	3918
18,2	57	3,9	73,70	KXACM253	63A	4	-	4000
17,1	64	1,7	78,17	KXACM202	63A	4	-	4000
16,9	64	3,1	79,07	KXACM252	63A	4	-	4000
16,8	66	3,5	51,34	KXACM252	63B	6	-	4000
15,0	73	1,7	57,43	KXACM202	63B	6	-	4000
14,4	72	3,1	93,33	KXACM253	63A	4	-	4000
13,4	82	1,4	64,13	KXACM202	63B	6	-	4000

0,12 kW

n2 [rpm]	M2 [Nm]	fs	i	Gear reducer	Size	Motor Pole	Fr2 D-S-P [N]	Fr2 C [N]
13,3	83	2,5	64,87	KXACM252	63B	6	-	4000
12,0	86	2,6	111,61	KXACM253	63A	4	-	4000
11,7	89	2,6	73,70	KXACM253	63B	6	-	4000
11,0	100	1,2	78,17	KXACM202	63B	6	-	4000
10,9	101	2,1	79,07	KXACM252	63B	6	-	4000
9,8	105	2,1	136,53	KXACM253	63A	4	-	4000
9,2	113	2,0	93,33	KXACM253	63B	6	-	4000
8,9	115	3,9	149,73	KXACM353	63A	4	10000	5500
7,8	133	1,7	172,53	KXACM253	63A	4	-	4000
7,7	135	1,7	111,61	KXACM253	63B	6	-	4000
7,4	139	3,2	180,23	KXACM353	63A	4	10000	5500
7,1	146	3,2	120,34	KXACM353	63B	6	10000	5500
6,8	152	1,5	197,11	KXACM253	63A	4	-	4000
6,3	165	1,4	136,53	KXACM253	63B	6	-	4000
6,2	169	3,7	139,15	KXBCM353	63B	6	12000	7811
6,0	172	2,6	222,93	KXACM353	63A	4	10000	5500
5,7	181	2,6	149,73	KXACM353	63B	6	10000	5500
5,5	191	3,3	157,42	KXBCM353	63B	6	12000	8000
5,4	192	1,1	249,08	KXACM253	63A	4	-	4000
5,1	200	2,2	260,20	KXACM353	63A	4	10000	5500
5,0	209	1,1	172,53	KXACM253	63B	6	-	4000
4,9	209	1,1	271,16	KXACM253	63A	4	-	4000
4,8	218	2,2	180,23	KXACM353	63B	6	10000	5500
4,4	239	1,0	197,11	KXACM253	63B	6	-	4000
4,2	248	1,8	321,85	KXACM353	63A	4	10000	5500
3,9	270	1,7	222,93	KXACM353	63B	6	10000	5500
3,7	276	1,6	357,95	KXACM353	63A	4	10000	5500
3,3	315	1,5	260,20	KXACM353	63B	6	10000	5500
3,0	341	1,3	442,76	KXACM353	63A	4	10000	5500
2,7	390	1,2	321,85	KXACM353	63B	6	10000	5500
2,4	434	1,1	357,95	KXACM353	63B	6	10000	5500

0,15 kW

n2 [rpm]	M2 [Nm]	fs	i	Gear reducer	Size	Motor Pole	Fr2 D-S-P [N]	Fr2 C [N]
56,0	25	3,9	14,46	KXACM202	63C	6	-	2696
35,3	39	3,2	22,97	KXACM202	63C	6	-	3146
28,9	48	2,7	28,00	KXACM202	63C	6	-	3360
25,9	53	2,4	31,27	KXACM202	63C	6	-	3486
25,6	54	3,9	31,63	KXACM252	63C	6	-	3750
24,0	57	2,2	33,78	KXACM202	63C	6	-	3577
23,1	60	3,5	35,10	KXACM252	63C	6	-	3882

0,15 kW

n2 [rpm]	M2 [Nm]	fs	i	Gear reducer	Motor Size	Pole	Fr2 D-S-P [N]	Fr2 C [N]
19,3	71	2,9	41,97	KXACM252	63C	6	-	4000
17,2	80	1,6	47,12	KXACM202	63C	6	-	3997
15,8	87	2,7	51,34	KXACM252	63C	6	-	4000
14,1	97	1,3	57,43	KXACM202	63C	6	-	4000
12,6	109	1,1	64,13	KXACM202	63C	6	-	4000
12,5	110	1,9	64,87	KXACM252	63C	6	-	4000
11,0	118	1,9	73,70	KXACM253	63C	6	-	4000
10,2	134	1,6	79,07	KXACM252	63C	6	-	4000
10,0	130	3,6	80,83	KXACM353	63C	6	10000	5500
8,7	150	1,5	93,33	KXACM253	63C	6	-	4000
8,3	156	3,0	97,29	KXACM353	63C	6	10000	5500
8,0	163	3,9	101,20	KXBCM353	63C	6	12000	7162
7,3	179	1,3	111,61	KXACM253	63C	6	-	4000
7,2	180	3,5	111,74	KXBCM353	63C	6	12000	7385
6,7	193	2,4	120,34	KXACM353	63C	6	10000	5500
6,5	200	3,2	124,20	KXBCM353	63C	6	12000	7630
5,9	219	1,1	136,53	KXACM253	63C	6	-	4000
5,8	224	2,8	139,15	KXBCM353	63C	6	12000	7900
5,4	241	2,0	149,73	KXACM353	63C	6	10000	5500
5,1	253	2,5	157,42	KXBCM353	63C	6	12000	8000
4,5	290	1,6	180,23	KXACM353	63C	6	10000	5500
3,6	358	1,3	222,93	KXACM353	63C	6	10000	5500
3,1	418	1,1	260,20	KXACM353	63C	6	10000	5500
2,5	517	0,9	321,85	KXACM353	63C	6	10000	5500

0,18 kW

n2 [rpm]	M2 [Nm]	fs	i	Gear reducer	Motor Size	Pole	Fr2 D-S-P [N]	Fr2 C [N]
69,5	24	4,0	12,95	KXACM202	71A	6	-	2509
62,2	26	3,6	14,46	KXACM202	71A	6	-	2603
59,4	27	3,4	47,12	KXACM202	63A	2	-	2643
48,8	32	2,8	57,43	KXACM202	63A	2	-	2824
47,5	34	3,5	28,00	KXACM202	63B	4	-	2848
43,7	36	2,3	64,13	KXACM202	63A	2	-	2929
42,5	38	3,1	31,27	KXACM202	63B	4	-	2955
39,4	41	2,9	33,78	KXACM202	63B	4	-	3032
39,2	42	3,0	22,97	KXACM202	71A	6	-	3037
35,8	44	1,9	78,17	KXACM202	63A	2	-	3129
35,4	45	3,4	79,07	KXACM252	63A	2	-	3366
32,1	51	2,5	28,00	KXACM202	71A	6	-	3244
31,7	52	3,9	41,97	KXACM252	63B	4	-	3492
30,0	50	3,3	93,33	KXACM253	63A	2	-	3557

0,18 kW

n2 [rpm]	M2 [Nm]	fs	i	Gear reducer	Motor Size	Pole	Fr2 D-S-P [N]	Fr2 C [N]
28,8	57	2,2	31,27	KXACM202	71A	6	-	3366
28,5	58	3,6	31,63	KXACM252	71A	6	-	3620
28,2	58	2,1	47,12	KXACM202	63B	4	-	3388
26,6	62	2,0	33,78	KXACM202	71A	6	-	3454
25,9	63	3,5	51,34	KXACM252	63B	4	-	3735
25,6	64	3,3	35,10	KXACM252	71A	6	-	3748
25,1	60	2,8	111,61	KXACM253	63A	2	-	3775
23,2	71	1,7	57,43	KXACM202	63B	4	-	3619
21,4	77	2,7	41,97	KXACM252	71A	6	-	3978
20,7	79	1,4	64,13	KXACM202	63B	4	-	3754
20,5	80	2,5	64,87	KXACM252	63B	4	-	4000
20,5	73	2,3	136,53	KXACM253	63A	2	-	4000
19,1	86	1,5	47,12	KXACM202	71A	6	-	3859
18,0	86	2,6	73,70	KXACM253	63B	4	-	4000
17,5	94	2,5	51,34	KXACM252	71A	6	-	4000
17,0	96	1,1	78,17	KXACM202	63B	4	-	4000
16,8	97	2,1	79,07	KXACM252	63B	4	-	4000
16,2	92	1,8	172,53	KXACM253	63A	2	-	4000
15,7	105	1,2	57,43	KXACM202	71A	6	-	4000
15,5	96	3,5	180,23	KXACM353	63A	2	10000	5500
14,3	109	2,0	93,33	KXACM253	63B	4	-	4000
14,2	105	1,6	197,11	KXACM253	63A	2	-	4000
14,0	118	1,0	64,13	KXACM202	71A	6	-	4000
13,9	119	1,8	64,87	KXACM252	71A	6	-	4000
13,7	113	4,0	97,29	KXACM353	63B	4	10000	5500
12,6	119	2,8	222,93	KXACM353	63A	2	10000	5500
12,2	128	1,8	73,70	KXACM253	71A	6	-	4000
11,9	130	1,7	111,61	KXACM253	63B	4	-	4000
11,4	145	1,4	79,07	KXACM252	71A	6	-	4000
11,2	133	1,2	249,08	KXACM253	63A	2	-	4000
11,1	140	3,4	80,83	KXACM353	71A	6	10000	5500
11,1	140	3,2	120,34	KXACM353	63B	4	10000	5500
10,8	139	2,4	260,20	KXACM353	63A	2	10000	5500
10,3	145	1,1	271,16	KXACM253	63A	2	-	4000
9,7	159	1,4	136,53	KXACM253	63B	4	-	4000
9,6	162	1,4	93,33	KXACM253	71A	6	-	4000
9,6	162	3,7	139,15	KXBCM353	63B	4	12000	6744
9,3	169	2,8	97,29	KXACM353	71A	6	10000	5500
8,9	174	2,6	149,73	KXACM353	63B	4	10000	5500
8,9	176	3,6	101,20	KXBCM353	71A	6	12000	6893
8,7	172	2,0	321,85	KXACM353	63A	2	10000	5500
8,4	183	3,3	157,42	KXBCM353	63B	4	12000	7005

0,18 kW

n2 [rpm]	M2 [Nm]	fs	i	Gear reducer	Motor Size	Pole	Fr2 D-S-P [N]	Fr2 C [N]
8,1	194	1,2	111,61	KXACM253	71A	6	-	4000
8,1	194	3,2	111,74	KXBCM353	71A	6	12000	7106
7,8	191	1,8	357,95	KXACM353	63A	2	10000	5500
7,7	201	1,1	172,53	KXACM253	63B	4	-	4000
7,5	209	2,3	120,34	KXACM353	71A	6	10000	5500
7,4	210	2,1	180,23	KXACM353	63B	4	10000	5500
7,2	216	2,9	124,20	KXBCM353	71A	6	12000	7340
6,7	229	1,0	197,11	KXACM253	63B	4	-	4000
6,6	237	1,0	136,53	KXACM253	71A	6	-	4000
6,5	242	2,6	139,15	KXBCM353	71A	6	12000	7597
6,3	236	1,4	442,76	KXACM353	63A	2	10000	5500
6,0	260	1,8	149,73	KXACM353	71A	6	10000	5500
6,0	259	1,7	222,93	KXACM353	63B	4	10000	5500
5,7	273	2,3	157,42	KXBCM353	71A	6	12000	7885
5,1	303	1,5	260,20	KXACM353	63B	4	10000	5500
5,0	313	1,5	180,23	KXACM353	71A	6	10000	5500
4,1	374	1,2	321,85	KXACM353	63B	4	10000	5500
4,0	387	1,2	222,93	KXACM353	71A	6	10000	5500
3,7	416	1,1	357,95	KXACM353	63B	4	10000	5500
3,5	452	1,0	260,20	KXACM353	71A	6	10000	5500

0,22 kW

n2 [rpm]	M2 [Nm]	fs	i	Gear reducer	Motor Size	Pole	Fr2 D-S-P [N]	Fr2 C [N]
57,9	34	3,5	22,97	KXACM202	63C	4	-	2667
47,5	42	2,9	28,00	KXACM202	63C	4	-	2848
42,5	47	2,6	31,27	KXACM202	63C	4	-	2955
39,4	51	2,4	33,78	KXACM202	63C	4	-	3032
37,9	53	3,8	35,10	KXACM252	63C	4	-	3290
31,7	63	3,2	41,97	KXACM252	63C	4	-	3492
28,2	71	1,7	47,12	KXACM202	63C	4	-	3388
25,9	77	2,9	51,34	KXACM252	63C	4	-	3735
23,2	86	1,4	57,43	KXACM202	63C	4	-	3619
20,7	96	1,1	64,13	KXACM202	63C	4	-	3754
20,5	97	2,1	64,87	KXACM252	63C	4	-	4000
18,0	105	2,1	73,70	KXACM253	63C	4	-	4000
17,0	117	0,9	78,17	KXACM202	63C	4	-	4000
16,8	119	1,7	79,07	KXACM252	63C	4	-	4000
16,5	115	3,9	80,83	KXACM353	63C	4	10000	5500
14,3	133	1,7	93,33	KXACM253	63C	4	-	4000
13,7	138	3,3	97,29	KXACM353	63C	4	10000	5500
11,9	159	1,4	111,61	KXACM253	63C	4	-	4000

0,22 kW

n2 [rpm]	M2 [Nm]	fs	i	Gear reducer	Motor Size	Motor Pole	Fr2 D-S-P [N]	Fr2 C [N]
11,9	159	3,8	111,74	KXBCM353	63C	4	12000	6262
11,1	171	2,6	120,34	KXACM353	63C	4	10000	5500
10,7	177	3,4	124,20	KXBCM353	63C	4	12000	6469
9,7	194	1,1	136,53	KXACM253	63C	4	-	4000
9,6	198	3,0	139,15	KXBCM353	63C	4	12000	6697
8,9	213	2,1	149,73	KXACM353	63C	4	10000	5500
8,4	224	2,7	157,42	KXBCM353	63C	4	12000	6953
7,4	256	1,8	180,23	KXACM353	63C	4	10000	5500
6,0	317	1,4	222,93	KXACM353	63C	4	10000	5500
5,1	370	1,2	260,20	KXACM353	63C	4	10000	5500
4,1	458	1,0	321,85	KXACM353	63C	4	10000	5500

0,25 kW

n2 [rpm]	M2 [Nm]	fs	i	Gear reducer	Motor Size	Motor Pole	Fr2 D-S-P [N]	Fr2 C [N]
91,3	25	3,6	14,46	KXACM202	63D/71A	4	-	2291
89,6	24	3,7	31,27	KXACM202	63B	2	-	2306
84,7	27	3,5	10,62	KXACM202	71B	6	-	2349
82,9	26	3,4	33,78	KXACM202	63B	2	-	2366
69,5	33	2,9	12,95	KXACM202	71B	6	-	2509
62,2	37	2,6	14,46	KXACM202	71B	6	-	2603
59,4	37	2,4	47,12	KXACM202	63B	2	-	2643
57,5	39	3,0	22,97	KXACM202	63D/71A	4	-	2673
54,6	42	3,0	16,47	KXACM202	71B	6	-	2718
48,8	45	2,0	57,43	KXACM202	63B	2	-	2824
47,1	48	2,5	28,00	KXACM202	63D/71A	4	-	2855
43,7	50	1,6	64,13	KXACM202	63B	2	-	2929
43,2	51	3,0	64,87	KXACM252	63B	2	-	3151
42,2	54	2,2	31,27	KXACM202	63D/71A	4	-	2962
41,7	54	3,7	31,63	KXACM252	63D/71A	4	-	3186
39,2	58	2,2	22,97	KXACM202	71B	6	-	3037
39,1	58	2,1	33,78	KXACM202	63D/71A	4	-	3040
38,0	55	3,0	73,70	KXACM253	63B	2	-	3288
37,6	60	3,3	35,10	KXACM252	63D/71A	4	-	3299
36,0	64	3,3	25,03	KXACM252	71B	6	-	3349
35,8	61	1,4	78,17	KXACM202	63B	2	-	3129
35,4	62	2,4	79,07	KXACM252	63B	2	-	3366
32,1	71	1,8	28,00	KXACM202	71B	6	-	3244
31,5	72	2,8	41,97	KXACM252	63D/71A	4	-	3501
30,0	69	2,4	93,33	KXACM253	63B	2	-	3557
28,8	80	1,6	31,27	KXACM202	71B	6	-	3366
28,5	81	2,6	31,63	KXACM252	71B	6	-	3620

0,25 kW

n2 [rpm]	M2 [Nm]	fs	i	Gear reducer	Motor Size	Pole	Fr2 D-S-P [N]	Fr2 C [N]
28,0	81	1,5	47,12	KXACM202	63D/71A	4	-	3396
26,6	86	1,5	33,78	KXACM202	71B	6	-	3454
25,7	88	2,5	51,34	KXACM252	63D/71A	4	-	3745
25,6	89	2,4	35,10	KXACM252	71B	6	-	3748
25,1	83	2,0	111,61	KXACM253	63B	2	-	3775
23,3	89	3,8	120,34	KXACM353	63B	2	9807	4904
23,0	99	1,2	57,43	KXACM202	63D/71A	4	-	3628
21,4	107	2,0	41,97	KXACM252	71B	6	-	3978
20,6	110	1,0	64,13	KXACM202	63D/71A	4	-	3764
20,5	101	1,6	136,53	KXACM253	63B	2	-	4000
20,3	111	1,8	64,87	KXACM252	63D/71A	4	-	4000
19,1	120	1,1	47,12	KXACM202	71B	6	-	3859
18,7	111	3,0	149,73	KXACM353	63B	2	10000	5274
17,9	120	1,8	73,70	KXACM253	63D/71A	4	-	4000
17,8	117	3,9	157,42	KXBCM353	63B	2	12000	5514
17,5	131	1,8	51,34	KXACM252	71B	6	-	4000
17,0	127	3,7	52,83	KXACM353	71B	6	10000	5441
16,7	136	1,5	79,07	KXACM252	63D/71A	4	-	4000
16,3	132	3,4	80,83	KXACM353	63D/71A	4	10000	5500
16,2	128	1,3	172,53	KXACM253	63B	2	-	4000
15,5	133	2,5	180,23	KXACM353	63B	2	10000	5500
14,2	146	1,1	197,11	KXACM253	63B	2	-	4000
14,1	152	1,4	93,33	KXACM253	63D/71A	4	-	4000
13,9	165	1,3	64,87	KXACM252	71B	6	-	4000
13,8	158	3,0	65,35	KXACM353	71B	6	10000	5500
13,6	158	2,8	97,29	KXACM353	63D/71A	4	10000	5500
13,0	167	3,8	69,16	KXBCM353	71B	6	12000	6064
13,0	165	3,6	101,20	KXBCM353	63D/71A	4	12000	6062
12,6	165	2,0	222,93	KXACM353	63B	2	10000	5500
12,2	178	1,3	73,70	KXACM253	71B	6	-	4000
11,8	182	1,2	111,61	KXACM253	63D/71A	4	-	4000
11,8	182	3,3	111,74	KXBCM353	63D/71A	4	12000	6249
11,6	187	3,4	77,48	KXBCM353	71B	6	12000	6278
11,4	201	1,0	79,07	KXACM252	71B	6	-	4000
11,1	195	2,4	80,83	KXACM353	71B	6	10000	5500
11,0	196	2,3	120,34	KXACM353	63D/71A	4	10000	5500
10,8	193	1,8	260,20	KXACM353	63B	2	10000	5500
10,6	202	3,0	124,20	KXBCM353	63D/71A	4	12000	6453
10,0	218	2,9	90,33	KXBCM353	71B	6	12000	6577
9,7	222	1,0	136,53	KXACM253	63D/71A	4	-	4000
9,6	225	1,0	93,33	KXACM253	71B	6	-	4000
9,5	227	2,6	139,15	KXBCM353	63D/71A	4	12000	6678

5.1 KXBC/KXAC GEARED MOTORS (50Hz)

0,25 kW

n2 [rpm]	M2 [Nm]	fs	i	Gear reducer	Motor Size	Motor Pole	Fr2 D-S-P [N]	Fr2 C [N]
9,3	235	2,0	97,29	KXACM353	71B	6	10000	5500
8,9	244	2,6	101,20	KXBCM353	71B	6	12000	6805
8,8	244	1,8	149,73	KXACM353	63D/71A	4	10000	5500
8,7	238	1,4	321,85	KXACM353	63B	2	10000	5500
8,4	256	2,3	157,42	KXBCM353	63D/71A	4	12000	6929
8,1	269	2,3	111,74	KXBCM353	71B	6	12000	7009
7,8	265	1,3	357,95	KXACM353	63B	2	10000	5500
7,5	290	1,6	120,34	KXACM353	71B	6	10000	5500
7,3	293	1,5	180,23	KXACM353	63D/71A	4	10000	5500
7,2	299	2,1	124,20	KXBCM353	71B	6	12000	7232
6,5	336	1,9	139,15	KXBCM353	71B	6	12000	7476
6,3	328	1,0	442,76	KXACM353	63B	2	10000	5500
6,0	361	1,3	149,73	KXACM353	71B	6	10000	5500
5,9	363	1,2	222,93	KXACM353	63D/71A	4	10000	5500
5,7	380	1,7	157,42	KXBCM353	71B	6	12000	7748
5,1	424	1,1	260,20	KXACM353	63D/71A	4	10000	5500
5,0	435	1,1	180,23	KXACM353	71B	6	10000	5500
4,3	498	0,9	321,85	KXACM353	71A	4	10000	5500

0,37 kW

n2 [rpm]	M2 [Nm]	fs	i	Gear reducer	Motor Size	Motor Pole	Fr2 D-S-P [N]	Fr2 C [N]
129,9	26	3,5	10,62	KXACM202	71B	4	-	2037
121,4	27	3,4	22,97	KXACM202	63C/71A	2	-	2083
115,5	29	3,2	7,62	KXACM202	71C/80A	6	-	2118
106,6	31	2,9	12,95	KXACM202	71B	4	-	2176
99,6	33	2,8	28,00	KXACM202	63C/71A	2	-	2225
95,4	35	2,6	14,46	KXACM202	71B	4	-	2257
89,2	36	2,5	31,27	KXACM202	63C/71A	2	-	2308
83,8	40	3,0	16,47	KXACM202	71B	4	-	2357
82,8	41	2,3	10,62	KXACM202	71C/80A	6	-	2366
82,6	39	2,3	33,78	KXACM202	63C/71A	2	-	2369
79,5	41	3,7	35,10	KXACM252	63C/71A	2	-	2570
76,0	45	3,8	11,57	KXACM252	71C	6	-	2609
68,0	50	1,9	12,95	KXACM202	71C/80A	6	-	2528
66,5	49	3,1	41,97	KXACM252	63C/71A	2	-	2728
60,9	56	1,7	14,46	KXACM202	71C/80A	6	-	2622
60,2	56	3,0	14,63	KXACM252	71C/80A	6	-	2820
60,1	56	2,1	22,97	KXACM202	71B	4	-	2634
59,2	55	1,6	47,12	KXACM202	63C/71A	2	-	2647
55,1	61	3,3	25,03	KXACM252	71B	4	-	2904
54,3	60	2,8	51,34	KXACM252	63C/71A	2	-	2918

0,37 kW

n2 [rpm]	M2 [Nm]	fs	i	Gear reducer	Motor Size	Pole	Fr2 D-S-P [N]	Fr2 C [N]
53,4	63	2,0	16,47	KXACM202	71C/80A	6	-	2739
51,4	66	3,2	17,11	KXACM252	71C/80A	6	-	2972
49,3	68	1,8	28,00	KXACM202	71B	4	-	2813
48,6	67	1,3	57,43	KXACM202	63C/71A	2	-	2827
44,1	76	1,6	31,27	KXACM202	71B	4	-	2919
43,6	77	2,6	31,63	KXACM252	71B	4	-	3139
43,5	74	1,1	64,13	KXACM202	63C/71A	2	-	2933
43,0	79	2,7	20,46	KXACM252	71C/80A	6	-	3154
43,0	75	2,0	64,87	KXACM252	63C/71A	2	-	3155
40,9	82	1,5	33,78	KXACM202	71B	4	-	2995
39,3	85	2,3	35,10	KXACM252	71B	4	-	3250
38,3	89	1,4	22,97	KXACM202	71C/80A	6	-	3060
37,9	81	2,0	73,70	KXACM253	63C/71A	2	-	3292
35,3	92	1,6	79,07	KXACM252	63C/71A	2	-	3370
35,2	96	2,2	25,03	KXACM252	71C/80A	6	-	3374
34,5	89	3,8	80,83	KXACM353	63C/71A	2	8599	4300
32,9	102	2,0	41,97	KXACM252	71B	4	-	3450
31,4	108	1,2	28,00	KXACM202	71C/80A	6	-	3269
29,9	103	1,6	93,33	KXACM253	63C/71A	2	-	3561
29,3	115	1,0	47,12	KXACM202	71B	4	-	3347
28,7	107	3,2	97,29	KXACM353	63C/71A	2	9147	4574
28,4	119	3,7	33,04	KXACM352	80A	6	9172	4586
28,1	120	1,0	31,27	KXACM202	71C/80A	6	-	3391
27,8	122	1,7	31,63	KXACM252	71C/80A	6	-	3647
26,9	125	1,8	51,34	KXACM252	71B	4	-	3689
26,1	122	3,7	52,83	KXACM353	71B	4	9436	4718
26,0	130	1,0	33,78	KXACM202	71C/80A	6	-	3480
25,1	135	1,6	35,10	KXACM252	71C/80A	6	-	3776
25,0	123	1,3	111,61	KXACM253	63C/71A	2	-	3780
25,0	123	3,7	111,74	KXBCM353	63C/71A	2	12000	4906
23,2	132	2,5	120,34	KXACM353	63C/71A	2	9819	4910
23,0	147	2,8	40,87	KXACM352	80A	6	9845	4923
22,5	137	3,3	124,20	KXBCM353	63C/71A	2	12000	5068
21,3	158	1,3	64,87	KXACM252	71B	4	-	3989
21,1	151	3,0	65,35	KXACM353	71B	4	10000	5065
21,0	162	1,3	41,97	KXACM252	71C/80A	6	-	4000
20,6	165	2,2	45,64	KXACM352	80A	6	10000	5107
20,4	150	1,1	136,53	KXACM253	63C/71A	2	-	4000
20,4	158	4,0	43,22	KXBCM353	71C	6	12000	5214
20,1	153	2,9	139,15	KXBCM353	63C/71A	2	12000	5247
20,0	160	2,9	43,89	KXACM353	71C/80A	6	10000	5153
20,0	159	3,8	69,16	KXBCM353	71B	4	12000	5248

0,37 kW

n2 [rpm]	M2 [Nm]	fs	i	Gear reducer	Motor Size	Pole	Fr2 D-S-P [N]	Fr2 C [N]
18,7	170	1,3	73,70	KXACM253	71B	4	-	4000
18,6	165	2,0	149,73	KXACM353	63C/71A	2	10000	5280
17,8	179	3,4	77,48	KXBCM353	71B	4	12000	5431
17,7	173	2,6	157,42	KXBCM353	63C/71A	2	12000	5448
17,5	192	1,0	79,07	KXACM252	71B	4	-	4000
17,3	185	3,4	50,81	KXBCM353	71C/80A	6	12000	5475
17,1	198	1,2	51,34	KXACM252	71C/80A	6	-	4000
17,1	198	1,9	54,94	KXACM352	80A	6	10000	5433
17,1	186	2,4	80,83	KXACM353	71B	4	10000	5437
16,7	193	2,5	52,83	KXACM353	71C/80A	6	10000	5482
15,5	198	1,7	180,23	KXACM353	63C/71A	2	10000	5500
15,5	208	3,0	56,93	KXBCM353	71C/80A	6	12000	5665
15,3	208	2,9	90,33	KXBCM353	71B	4	12000	5687
14,8	215	1,0	93,33	KXACM253	71B	4	-	4000
14,2	224	2,0	97,29	KXACM353	71B	4	10000	5500
13,8	245	1,5	67,96	KXACM352	80A	6	10000	5500
13,6	233	2,6	101,20	KXBCM353	71B	4	12000	5883
13,6	236	3,8	69,14	KXBCM403	80A	6	18000	9098
13,5	239	2,0	65,35	KXACM353	71C/80A	6	10000	5500
12,9	250	3,6	73,14	KXBCM403	80A	6	18000	9257
12,8	252	0,9	73,70	KXACM253	80A	6	-	4000
12,7	252	2,5	69,16	KXBCM353	71C/80A	6	12000	6001
12,5	245	1,4	222,93	KXACM353	63C/71A	2	10000	5500
12,3	258	2,3	111,74	KXBCM353	71B	4	12000	6057
11,6	276	3,2	80,76	KXBCM403	80A	6	18000	9545
11,5	277	1,6	120,34	KXACM353	71B	4	10000	5500
11,4	283	2,2	77,48	KXBCM353	71C/80A	6	12000	6203
11,1	286	2,1	124,20	KXBCM353	71B	4	12000	6247
10,9	295	1,6	80,83	KXACM353	71C/80A	6	10000	5500
10,7	286	1,2	260,20	KXACM353	63C/71A	2	10000	5500
10,2	315	2,8	92,19	KXBCM403	80A	6	18000	9940
9,9	321	1,9	139,15	KXBCM353	71B	4	12000	6455
9,7	330	1,9	90,33	KXBCM353	71C/80A	6	12000	6484
9,3	344	2,6	100,57	KXBCM403	80A	6	18000	10207
9,2	345	1,3	149,73	KXACM353	71B	4	10000	5500
9,0	355	1,3	97,29	KXACM353	71C/80A	6	10000	5500
8,9	360	2,5	105,29	KXBCM403	80A	6	18000	10350
8,8	363	1,7	157,42	KXBCM353	71B	4	12000	6686
8,7	369	1,7	101,20	KXBCM353	71C/80A	6	12000	6697
8,1	397	2,2	116,25	KXBCM403	80A	6	18000	10664
7,9	408	1,5	111,74	KXBCM353	71C/80A	6	12000	6885
7,7	415	1,1	180,23	KXACM353	71B	4	10000	5500

0,37 kW

n2 [rpm]	M2 [Nm]	fs	i	Gear reducer	Motor Size	Pole	Fr2 D-S-P [N]	Fr2 C [N]
7,4	433	2,1	126,76	KXBCM403	80A	6	18000	10945
7,3	439	1,1	120,34	KXACM353	71C/80A	6	10000	5500
7,1	453	1,4	124,20	KXBCM353	71C/80A	6	12000	7090
6,5	495	1,8	144,77	KXBCM403	80A	6	18000	11387
6,5	494	3,8	144,69	KXBCM503	80A	6	22000	14062
6,3	512	0,9	149,73	KXACM353	80A	6	10000	5500
6,3	508	1,2	139,15	KXBCM353	71C/80A	6	12000	7313
5,7	565	3,3	165,25	KXBCM503	80A	6	22000	14653
5,6	575	1,1	157,42	KXBCM353	71C/80A	6	12000	7558

0,55 kW

n2 [rpm]	M2 [Nm]	fs	i	Gear reducer	Motor Size	Pole	Fr2 D-S-P [N]	Fr2 C [N]
264,5	18	3,7	10,62	KXACM202	71B	2	-	1607
217,0	22	3,0	12,95	KXACM202	71B	2	-	1716
194,4	25	2,7	14,46	KXACM202	71B	2	-	1781
179,9	28	3,2	7,62	KXACM202	71C/80A	4	-	1827
170,6	28	3,2	16,47	KXACM202	71B	2	-	1860
129,0	39	2,3	10,62	KXACM202	71C/80A	4	-	2042
122,3	39	2,3	22,97	KXACM202	71B	2	-	2078
122,1	41	2,3	7,62	KXACM202	80B	6	-	2079
118,4	42	3,8	11,57	KXACM252	71C/80A	4	-	2251
117,5	43	3,9	7,91	KXACM252	80B	6	-	2256
112,3	43	3,5	25,03	KXACM252	71B	2	-	2291
105,8	47	1,9	12,95	KXACM202	71C/80A	4	-	2181
100,4	48	1,9	28,00	KXACM202	71B	2	-	2220
98,3	51	3,3	9,46	KXACM252	80B	6	-	2395
94,8	53	1,7	14,46	KXACM202	71C/80A	4	-	2263
93,7	53	3,0	14,63	KXACM252	71C/80A	4	-	2434
89,9	54	1,7	31,27	KXACM202	71B	2	-	2303
88,8	54	2,8	31,63	KXACM252	71B	2	-	2477
87,5	58	1,6	10,62	KXACM202	80B	6	-	2323
83,2	60	2,0	16,47	KXACM202	71C/80A	4	-	2363
83,2	58	1,6	33,78	KXACM202	71B	2	-	2363
80,4	63	2,7	11,57	KXACM252	80B	6	-	2561
80,1	62	3,2	17,11	KXACM252	71C/80A	4	-	2564
80,1	60	2,5	35,10	KXACM252	71B	2	-	2564
71,8	70	1,3	12,95	KXACM202	80B	6	-	2481
67,0	75	2,7	20,46	KXACM252	71C/80A	4	-	2722
67,0	72	2,1	41,97	KXACM252	71B	2	-	2722
64,3	78	1,2	14,46	KXACM202	80B	6	-	2574
63,6	79	2,1	14,63	KXACM252	80B	6	-	2769

0,55 kW

n2 [rpm]	M2 [Nm]	fs	i	Gear reducer	Motor Size	Pole	Fr2 D-S-P [N]	Fr2 C [N]
59,6	81	1,1	47,12	KXACM202	71B	2	-	2640
59,6	84	1,4	22,97	KXACM202	71C/80A	4	-	2640
56,5	89	1,4	16,47	KXACM202	80B	6	-	2689
54,7	91	2,2	25,03	KXACM252	71C/80A	4	-	2911
54,7	88	1,9	51,34	KXACM252	71B	2	-	2911
54,4	93	2,3	17,11	KXACM252	80B	6	-	2918
53,2	86	3,9	52,83	KXACM353	71B	2	7445	3723
48,9	102	1,2	28,00	KXACM202	71C/80A	4	-	2820
45,5	111	1,9	20,46	KXACM252	80B	6	-	3097
43,8	114	1,1	31,27	KXACM202	71C/80A	4	-	2926
43,3	115	1,7	31,63	KXACM252	71C/80A	4	-	3147
43,3	111	1,3	64,87	KXACM252	71B	2	-	3147
43,0	106	3,2	65,35	KXACM353	71B	2	7992	3996
42,4	118	3,6	33,04	KXACM352	80A	4	8031	4016
40,6	123	1,0	33,78	KXACM202	71C/80A	4	-	3002
40,5	125	1,0	22,97	KXACM202	80B	6	-	3004
39,0	128	1,6	35,10	KXACM252	71C/80A	4	-	3258
38,1	120	1,4	73,70	KXACM253	71B	2	-	3284
37,2	136	1,5	25,03	KXACM252	80B	6	-	3312
36,3	126	3,6	77,48	KXBCM353	71B	2	12000	4315
35,5	136	1,1	79,07	KXACM252	71B	2	-	3362
34,8	131	2,6	80,83	KXACM353	71B	2	8579	4289
34,3	146	2,7	40,87	KXACM352	80A	4	8621	4311
33,9	149	3,0	27,45	KXACM352	80B	6	8653	4326
32,6	153	1,3	41,97	KXACM252	71C/80A	4	-	3458
31,2	151	3,0	43,89	KXACM353	71C/80A	4	8892	4446
31,1	147	3,1	90,33	KXBCM353	71B	2	12000	4521
30,7	163	2,2	45,64	KXACM352	80A	4	8944	4472
30,1	152	1,1	93,33	KXACM253	71B	2	-	3553
29,4	171	1,2	31,63	KXACM252	80B	6	-	3581
28,9	158	2,1	97,29	KXACM353	71B	2	9125	4563
28,1	179	2,5	33,04	KXACM352	80B	6	9204	4602
27,8	172	3,7	33,43	KXBCM353	80B	6	12000	4666
27,8	164	2,7	101,20	KXBCM353	71B	2	12000	4678
27,0	175	3,4	50,81	KXBCM353	71C/80A	4	12000	4711
26,7	187	1,2	51,34	KXACM252	71C/80A	4	-	3698
26,5	190	1,1	35,10	KXACM252	80B	6	-	3707
25,9	182	2,5	52,83	KXACM353	71C/80A	4	9459	4730
25,5	196	1,8	54,94	KXACM352	80A	4	9515	4757
25,1	181	2,5	111,74	KXBCM353	71B	2	12000	4819
24,1	198	3,2	38,58	KXBCM353	80B	6	12000	4868
24,1	196	3,1	56,93	KXBCM353	71C/80A	4	12000	4873

5.1 KXBC/KXAC GEARED MOTORS (50Hz)

0,55 kW

n2 [rpm]	M2 [Nm]	fs	i	Gear reducer	Motor Size	Pole	Fr2 D-S-P [N]	Fr2 C [N]
23,4	195	1,7	120,34	KXACM353	71B	2	9796	4898
22,8	221	1,9	40,87	KXACM352	80B	6	9880	4940
22,6	202	2,2	124,20	KXBCM353	71B	2	12000	4972
22,2	227	0,9	41,97	KXACM252	80B	6	-	3935
22,0	215	3,9	63,74	KXBCM403	80A	4	18000	7750
21,5	222	2,8	43,22	KXBCM353	80B	6	12000	5033
21,2	225	2,1	43,89	KXACM353	80B	6	10000	5059
21,0	225	2,0	65,35	KXACM353	71C/80A	4	10000	5077
20,6	242	1,4	67,96	KXACM352	80A	4	10000	5107
20,5	233	3,8	45,44	KXBCM403	80B	6	18000	7918
20,4	247	1,5	45,64	KXACM352	80B	6	10000	5126
20,2	226	2,0	139,15	KXBCM353	71B	2	12000	5141
20,2	233	3,6	69,14	KXBCM403	80A	4	18000	7947
19,8	239	2,5	69,16	KXBCM353	71C/80A	4	12000	5159
19,1	247	3,4	73,14	KXBCM403	80A	4	18000	8085
18,8	243	1,4	149,73	KXACM353	71B	2	10000	5268
18,3	261	2,4	50,81	KXBCM353	80B	6	12000	5274
18,2	263	3,4	51,19	KXBCM403	80B	6	18000	8212
17,9	256	1,8	157,42	KXBCM353	71B	2	12000	5328
17,7	267	2,2	77,48	KXBCM353	71C/80A	4	12000	5331
17,6	271	1,7	52,83	KXACM353	80B	6	10000	5382
17,3	273	3,1	80,76	KXBCM403	80A	4	18000	8333
17,0	279	1,6	80,83	KXACM353	71C/80A	4	10000	5450
16,9	298	1,2	54,94	KXACM352	80B	6	10000	5452
16,7	285	3,1	55,52	KXBCM403	80B	6	18000	8418
16,3	292	2,2	56,93	KXBCM353	80B	6	12000	5448
15,6	293	1,2	180,23	KXACM353	71B	2	10000	5500
15,5	308	2,9	59,96	KXBCM403	80B	6	18000	8616
15,2	312	1,9	90,33	KXBCM353	71C/80A	4	12000	5568
15,2	311	2,7	92,19	KXBCM403	80A	4	18000	8675
14,6	327	2,7	63,74	KXBCM403	80B	6	18000	8777
14,2	335	1,4	65,35	KXACM353	80B	6	10000	5500
14,1	336	1,3	97,29	KXACM353	71C/80A	4	10000	5500
13,9	340	2,5	100,57	KXBCM403	80A	4	18000	8905
13,7	368	1,0	67,96	KXACM352	80B	6	10000	5500
13,5	349	1,7	101,20	KXBCM353	71C/80A	4	12000	5748
13,5	355	2,5	69,14	KXBCM403	80B	6	18000	8994
13,4	355	1,8	69,16	KXBCM353	80B	6	12000	5754
13,3	356	2,4	105,29	KXBCM403	80A	4	18000	9029
12,7	376	2,4	73,14	KXBCM403	80B	6	18000	9146
12,3	386	1,6	111,74	KXBCM353	71C/80A	4	12000	5907
12,0	398	1,6	77,48	KXBCM353	80B	6	12000	5936

0,55 kW

n2 [rpm]	M2 [Nm]	fs	i	Gear reducer	Motor Size	Pole	Fr2 D-S-P [N]	Fr2 C [N]
12,0	393	2,2	116,25	KXBCM403	80A	4	18000	9300
11,5	415	1,1	80,83	KXACM353	80B	6	10000	5500
11,5	415	2,2	80,76	KXBCM403	80B	6	18000	9419
11,4	415	1,1	120,34	KXACM353	71C/80A	4	10000	5500
11,0	429	1,4	124,20	KXBCM353	71C/80A	4	12000	6079
11,0	428	2,0	126,76	KXBCM403	80A	4	18000	9541
10,3	464	1,4	90,33	KXBCM353	80B	6	12000	6186
10,1	473	1,9	92,19	KXBCM403	80B	6	18000	9793
10,1	474	4,0	92,31	KXBCM503	80B	6	22000	12129
9,8	480	1,2	139,15	KXBCM353	71C/80A	4	12000	6266
9,7	489	1,7	144,77	KXBCM403	80A	4	18000	9920
9,7	489	3,7	144,69	KXBCM503	80A	4	22000	12285
9,6	499	0,9	97,29	KXACM353	80B	6	10000	5500
9,2	520	1,2	101,20	KXBCM353	80B	6	12000	6373
9,2	516	1,7	100,57	KXBCM403	80B	6	18000	10045
8,8	541	1,7	105,29	KXBCM403	80B	6	18000	10179
8,8	541	3,5	105,44	KXBCM503	80B	6	22000	12635
8,7	543	1,1	157,42	KXBCM353	71C/80A	4	12000	6471
8,5	558	3,2	165,25	KXBCM503	80A	4	22000	12796
8,3	574	1,1	111,74	KXBCM353	80B	6	12000	6538
8,1	589	3,2	114,80	KXBCM503	80B	6	22000	12968
8,0	597	1,5	116,25	KXBCM403	80B	6	18000	10473
7,7	618	3,1	120,42	KXBCM503	80B	6	22000	13158
7,5	638	1,0	124,20	KXBCM353	80B	6	12000	6714
7,3	651	1,4	126,76	KXBCM403	80B	6	18000	10734
7,0	682	2,8	132,87	KXBCM503	80B	6	22000	13557
6,4	743	1,2	144,77	KXBCM403	80B	6	18000	11142
6,4	743	2,5	144,69	KXBCM503	80B	6	22000	13909
5,6	848	2,2	165,25	KXBCM503	80B	6	22000	14473

0,75 kW

n2 [rpm]	M2 [Nm]	fs	i	Gear reducer	Motor Size	Pole	Fr2 D-S-P [N]	Fr2 C [N]
367,6	18	3,8	7,62	KXACM202	71C/80A	2	-	1440
263,6	25	2,7	10,62	KXACM202	71C/80A	2	-	1609
216,3	30	2,2	12,95	KXACM202	71C/80A	2	-	1719
193,7	34	2,0	14,46	KXACM202	71C/80A	2	-	1783
191,4	34	3,5	14,63	KXACM252	71C/80A	2	-	1918
183,8	37	2,4	7,62	KXACM202	80B	4	-	1814
170,0	39	2,3	16,47	KXACM202	71C/80A	2	-	1862
163,6	40	3,7	17,11	KXACM252	71C/80A	2	-	2021
148,0	46	3,5	9,46	KXACM252	80B	4	-	2090

0,75 kW

n2 [rpm]	M2 [Nm]	fs	i	Gear reducer	Motor Size	Pole	Fr2 D-S-P [N]	Fr2 C [N]
136,8	48	3,1	20,46	KXACM252	71C/80A	2	-	2145
131,8	52	1,7	10,62	KXACM202	80B	4	-	2027
121,9	54	1,7	22,97	KXACM202	71C/80A	2	-	2081
121,0	56	2,8	11,57	KXACM252	80B	4	-	2235
120,8	57	1,7	7,62	KXACM202	80C	6	-	2087
116,3	59	2,8	7,91	KXACM252	80C/90S	6	-	2264
111,9	59	2,6	25,03	KXACM252	71C/80A	2	-	2294
108,1	63	1,4	12,95	KXACM202	80B	4	-	2165
100,0	66	1,4	28,00	KXACM202	71C/80A	2	-	2222
97,2	71	2,4	9,46	KXACM252	80C/90S	6	-	2403
96,8	70	1,3	14,46	KXACM202	80B	4	-	2246
95,7	71	2,3	14,63	KXACM252	80B	4	-	2416
89,6	73	1,2	31,27	KXACM202	71C/80A	2	-	2306
88,5	74	2,0	31,63	KXACM252	71C/80A	2	-	2480
86,6	79	1,2	10,62	KXACM202	80C	6	-	2332
85,0	80	1,5	16,47	KXACM202	80B	4	-	2346
82,9	79	1,1	33,78	KXACM202	71C/80A	2	-	2366
81,8	83	2,4	17,11	KXACM252	80B	4	-	2546
79,8	82	1,8	35,10	KXACM252	71C/80A	2	-	2567
79,5	86	1,9	11,57	KXACM252	80C/90S	6	-	2570
73,9	93	4,0	12,44	KXACM352	90S	6	6671	3335
71,1	97	1,0	12,95	KXACM202	80C	6	-	2490
68,8	96	3,1	40,87	KXACM352	80A	2	6834	3417
68,4	99	2,0	20,46	KXACM252	80B	4	-	2702
66,7	98	1,5	41,97	KXACM252	71C/80A	2	-	2725
63,8	98	3,5	43,89	KXACM353	71C/80A	2	7007	3504
62,9	109	1,5	14,63	KXACM252	80C/90S	6	-	2779
61,7	111	4,0	14,91	KXACM352	90S	6	7085	3542
61,6	107	2,5	45,64	KXACM352	80A	2	7091	3545
60,9	112	1,1	22,97	KXACM202	80B	4	-	2621
55,9	123	1,0	16,47	KXACM202	80C	6	-	2698
55,9	122	1,6	25,03	KXACM252	80B	4	-	2890
55,1	113	4,0	50,81	KXBCM353	71C ⁽¹⁾	2	12000	3754
54,5	120	1,4	51,34	KXACM252	71C/80A	2	-	2914
53,8	128	1,6	17,11	KXACM252	80C/90S	6	-	2928
53,0	117	2,9	52,83	KXACM353	71C/80A	2	7454	3727
51,3	134	3,3	17,94	KXACM352	90S	6	7537	3768
51,1	133	0,9	28,00	KXACM202	80B	4	-	2780
51,1	128	2,0	54,94	KXACM352	80A	2	7543	3771
51,0	133	3,1	27,45	KXACM352	80B	4	7550	3775
49,2	126	3,6	56,93	KXBCM353	71C/80A	2	12000	3886
45,0	153	1,4	20,46	KXACM252	80C/90S	6	-	3108

⁽¹⁾ Available only with brake motor (TBS)

5.1 KXBC/KXAC GEARED MOTORS (50Hz)

0,75 kW

n2 [rpm]	M2 [Nm]	fs	i	Gear reducer	Motor Size	Pole	Fr2 D-S-P [N]	Fr2 C [N]
44,3	154	1,3	31,63	KXACM252	80B	4	-	3124
43,8	150	1,0	64,87	KXACM252	80A	2	-	3136
42,8	145	2,3	65,35	KXACM353	71C/80A	2	8001	4001
42,4	161	2,6	33,04	KXACM352	80B	4	8031	4016
41,9	154	3,9	33,43	KXBCM353	80B	4	12000	4071
41,5	166	2,7	22,19	KXACM352	90S	6	8090	4045
41,3	159	1,7	67,96	KXACM352	80A	2	8097	4048
41,1	158	4,0	22,39	KXBCM353	80C/90S	6	12000	4093
40,5	154	2,9	69,16	KXBCM353	71C/80A	2	12000	4120
39,9	171	1,2	35,10	KXACM252	80B	4	-	3235
38,4	162	3,9	73,14	KXBCM403	80A	2	18000	6464
38,0	164	1,0	73,70	KXACM253	71C/80A	2	-	3288
36,8	187	1,1	25,03	KXACM252	80C/90S	6	-	3324
36,3	178	3,4	38,58	KXBCM353	80B	4	12000	4247
36,1	172	2,6	77,48	KXBCM353	71C/80A	2	12000	4261
35,3	185	3,4	26,09	KXBCM353	80C/90S	6	12000	4281
34,8	179	3,6	80,76	KXBCM403	80A	2	18000	6666
34,6	180	1,9	80,83	KXACM353	71C/80A	2	8589	4294
34,3	199	2,0	40,87	KXACM352	80B	4	8621	4311
33,5	205	2,2	27,45	KXACM352	80C/90S	6	8684	4342
33,4	204	1,0	41,97	KXACM252	80B	4	-	3433
32,8	198	3,2	28,03	KXBCM353	80C/90S	6	12000	4372
32,4	199	3,0	43,22	KXBCM353	80B	4	12000	4391
31,9	202	2,2	43,89	KXACM353	80B	4	8828	4414
31,0	201	2,2	90,33	KXBCM353	71C/80A	2	12000	4457
30,7	222	1,6	45,64	KXACM352	80B	4	8944	4472
30,5	204	3,1	92,19	KXBCM403	80A	2	18000	6943
29,7	231	0,9	31,63	KXACM252	90S	6	-	3568
28,9	225	4,0	31,80	KXBCM403	80C/90S	6	18000	7043
28,8	216	1,6	97,29	KXACM353	71C/80A	2	9136	4568
27,9	244	0,9	51,34	KXACM252	80B	4	-	3646
27,9	223	2,9	100,57	KXBCM403	80A	2	18000	7131
27,8	247	1,8	33,04	KXACM352	80C/90S	6	9238	4619
27,7	225	2,0	101,20	KXBCM353	71C/80A	2	12000	4606
27,6	234	2,6	50,81	KXBCM353	80B	4	12000	4601
27,5	237	2,7	33,43	KXBCM353	80C/90S	6	12000	4599
27,4	236	3,6	51,19	KXBCM403	80B	4	18000	7168
26,7	244	3,7	34,49	KXBCM403	80C/90S	6	18000	7220
26,7	233	2,7	105,29	KXBCM403	80A	2	18000	7231
26,5	243	1,8	52,83	KXACM353	80B	4	9391	4696
25,5	267	1,3	54,94	KXACM352	80B	4	9515	4757
25,2	256	3,3	55,52	KXBCM403	80B	4	18000	7347

5.1 KXBC/KXAC GEARED MOTORS (50Hz)

0,75 kW

n ₂ [rpm]	M ₂ [Nm]	f _s	i	Gear reducer	Motor		Fr ₂ D-S-P [N]	Fr ₂ C [N]
					Size	Pole		
25,1	248	1,8	111,74	KXBCM353	71C/80A	2	12000	4738
24,6	262	2,3	56,93	KXBCM353	80B	4	12000	4752
24,2	257	2,5	116,25	KXBCM403	80A	2	18000	7453
23,8	273	2,3	38,58	KXBCM353	80C/90S	6	12000	4790
23,4	276	3,1	59,96	KXBCM403	80B	4	18000	7520
23,3	267	1,3	120,34	KXACM353	71C/80A	2	9807	4904
23,2	280	3,2	39,60	KXBCM403	80C/90S	6	18000	7528
22,5	305	1,4	40,87	KXACM352	80C/90S	6	9916	4958
22,5	276	1,6	124,20	KXBCM353	71C/80A	2	12000	4882
22,2	281	2,3	126,76	KXBCM403	80A	2	18000	7650
22,0	293	2,9	63,74	KXBCM403	80B	4	18000	7660
21,4	301	1,5	65,35	KXACM353	80B	4	10000	5041
21,4	304	2,9	42,95	KXBCM403	80C/90S	6	18000	7714
21,3	306	2,1	43,22	KXBCM353	80C/90S	6	12000	4944
21,0	311	1,5	43,89	KXACM353	80C/90S	6	10000	5077
20,6	330	1,1	67,96	KXACM352	80B	4	10000	5107
20,2	341	1,1	45,64	KXACM352	80C/90S	6	10000	5144
20,2	318	1,9	69,16	KXBCM353	80B	4	12000	5017
20,2	322	2,8	45,44	KXBCM403	80C/90S	6	18000	7845
20,2	318	2,7	69,14	KXBCM403	80B	4	18000	7848
20,1	309	1,5	139,15	KXBCM353	71C/80A	2	12000	5040
19,4	320	2,0	144,77	KXBCM403	80A	2	18000	7961
19,1	337	2,5	73,14	KXBCM403	80B	4	18000	7981
18,7	333	1,0	149,73	KXACM353	71C/80A	2	10000	5274
18,1	360	1,8	50,81	KXBCM353	80C/90S	6	12000	5167
18,1	357	1,7	77,48	KXBCM353	80B	4	12000	5175
18,0	362	2,5	51,19	KXBCM403	80C/90S	6	18000	8127
17,8	350	1,3	157,42	KXBCM353	71C/80A	2	12000	5213
17,4	374	1,3	52,83	KXACM353	80C/90S	6	10000	5401
17,3	372	1,2	80,83	KXACM353	80B	4	10000	5411
17,3	372	2,3	80,76	KXBCM403	80B	4	18000	8219
17,1	402	0,9	54,94	KXACM352	90S	6	10000	5433
17,0	366	3,7	165,25	KXBCM503	80A	2	22000	10232
16,6	393	2,3	55,52	KXBCM403	80C/90S	6	18000	8324
16,2	403	1,6	56,93	KXBCM353	80C/90S	6	12000	5327
15,5	416	1,4	90,33	KXBCM353	80B	4	12000	5391
15,3	424	2,1	59,96	KXBCM403	80C/90S	6	18000	8513
15,2	424	2,0	92,19	KXBCM403	80B	4	18000	8544
14,4	448	1,0	97,29	KXACM353	80B	4	10000	5500
14,4	451	2,0	63,74	KXBCM403	80C/90S	6	18000	8666
14,2	459	3,9	64,89	KXBCM503	80C/90S	6	22000	10806
14,1	462	1,0	65,35	KXACM353	80C/90S	6	10000	5500

0,75 kW

n2 [rpm]	M2 [Nm]	fs	i	Gear reducer	Motor Size	Pole	Fr2 D-S-P [N]	Fr2 C [N]
13,9	463	1,8	100,57	KXBCM403	80B	4	18000	8763
13,8	466	1,3	101,20	KXBCM353	80B	4	12000	5553
13,4	485	3,7	68,58	KXBCM503	80C/90S	6	22000	10991
13,3	489	1,3	69,16	KXBCM353	80C/90S	6	12000	5603
13,3	489	1,8	69,14	KXBCM403	80C/90S	6	18000	8872
13,3	485	1,8	105,29	KXBCM403	80B	4	18000	8879
13,3	486	3,7	105,44	KXBCM503	80B	4	22000	11030
12,6	518	1,7	73,14	KXBCM403	80C/90S	6	18000	9016
12,6	515	3,5	72,76	KXBCM503	80C/90S	6	22000	11191
12,5	515	1,2	111,74	KXBCM353	80B	4	12000	5695
12,2	529	3,4	114,80	KXBCM503	80B	4	22000	11319
12,0	535	1,6	116,25	KXBCM403	80B	4	18000	9135
11,9	548	1,1	77,48	KXBCM353	80C/90S	6	12000	5765
11,7	559	3,2	78,92	KXBCM503	80C/90S	6	22000	11471
11,6	554	3,2	120,42	KXBCM503	80B	4	22000	11485
11,4	572	1,6	80,76	KXBCM403	80C/90S	6	18000	9273
11,3	572	1,0	124,20	KXBCM353	80B	4	12000	5847
11,0	584	1,5	126,76	KXBCM403	80B	4	18000	9361
11,0	592	3,2	83,66	KXBCM503	80C/90S	6	22000	11675
10,5	612	2,9	132,87	KXBCM503	80B	4	22000	11832
10,2	639	1,0	90,33	KXBCM353	80C	6	12000	5984
10,1	641	0,9	139,15	KXBCM353	80B	4	12000	6010
10,0	652	1,4	92,19	KXBCM403	80C/90S	6	18000	9623
10,0	653	2,9	92,31	KXBCM503	80C/90S	6	22000	12026
9,7	667	1,3	144,77	KXBCM403	80B	4	18000	9715
9,7	666	2,7	144,69	KXBCM503	80B	4	22000	12139
9,1	712	1,3	100,57	KXBCM403	80C/90S	6	18000	9857
8,7	745	1,2	105,29	KXBCM403	80C/90S	6	18000	9981
8,7	746	2,5	105,44	KXBCM503	80C/90S	6	22000	12514
8,5	761	2,4	165,25	KXBCM503	80B	4	22000	12630
8,0	812	2,3	114,80	KXBCM503	80C/90S	6	22000	12833
7,9	823	1,1	116,25	KXBCM403	80C/90S	6	18000	10252
7,6	852	2,2	120,42	KXBCM503	80C/90S	6	22000	13015
7,3	897	1,0	126,76	KXBCM403	80C/90S	6	18000	10490
7,1	920	4,0	129,96	KXBCM603	90S	6	30000	18750
6,9	940	2,0	132,87	KXBCM503	80C/90S	6	22000	13395
6,4	1024	1,8	144,69	KXBCM503	80C/90S	6	22000	13730
6,4	1022	3,6	144,43	KXBCM603	90S	6	30000	19323
5,7	1134	3,2	160,23	KXBCM603	90S	6	30000	19897
5,6	1169	1,6	165,25	KXBCM503	80C/90S	6	22000	14264
5,1	1277	2,9	180,40	KXBCM603	90S	6	30000	20000

0,92 kW

n2 [rpm]	M2 [Nm]	fs	i	Gear reducer	Motor Size	Pole	Fr2 D-S-P [N]	Fr2 C [N]
183,8	45	2,0	7,62	KXACM202	80C ⁽¹⁾	4	-	1814
176,9	47	3,4	7,91	KXACM252	80C ⁽¹⁾	4	-	1969
148,0	56	2,8	9,46	KXACM252	80C ⁽¹⁾	4	-	2090
131,8	63	1,4	10,62	KXACM202	80C ⁽¹⁾	4	-	2027
121,0	69	2,3	11,57	KXACM252	80C ⁽¹⁾	4	-	2235
108,1	77	1,2	12,95	KXACM202	80C ⁽¹⁾	4	-	2165
96,8	86	1,0	14,46	KXACM202	80C ⁽¹⁾	4	-	2246
95,7	87	1,8	14,63	KXACM252	80C ⁽¹⁾	4	-	2416
85,0	98	1,2	16,47	KXACM202	80C ⁽¹⁾	4	-	2346
81,8	102	2,0	17,11	KXACM252	80C ⁽¹⁾	4	-	2546
68,4	122	1,6	20,46	KXACM252	80C ⁽¹⁾	4	-	2702
55,9	149	1,3	25,03	KXACM252	80C ⁽¹⁾	4	-	2890
51,0	164	2,6	27,45	KXACM352	80C ⁽¹⁾	4	7550	3775
49,9	158	3,8	28,03	KXBCM353	80C ⁽¹⁾	4	12000	3825
44,3	189	1,1	31,63	KXACM252	80C ⁽¹⁾	4	-	3124
42,4	197	2,1	33,04	KXACM352	80C ⁽¹⁾	4	8031	4016
41,9	189	3,2	33,43	KXBCM353	80C ⁽¹⁾	4	12000	4026
39,9	209	1,0	35,10	KXACM252	80C ⁽¹⁾	4	-	3235
36,3	218	2,8	38,58	KXBCM353	80C ⁽¹⁾	4	12000	4195
35,4	224	3,8	39,60	KXBCM403	80C ⁽¹⁾	4	18000	6577
34,3	244	1,6	40,87	KXACM352	80C ⁽¹⁾	4	8621	4311
32,6	243	3,5	42,95	KXBCM403	80C ⁽¹⁾	4	18000	6741
32,4	244	2,5	43,22	KXBCM353	80C ⁽¹⁾	4	12000	4333
31,9	248	1,8	43,89	KXACM353	80C ⁽¹⁾	4	8828	4414
30,8	257	3,3	45,44	KXBCM403	80C ⁽¹⁾	4	18000	6857
30,7	272	1,3	45,64	KXACM352	80C ⁽¹⁾	4	8944	4472
27,6	287	2,1	50,81	KXBCM353	80C ⁽¹⁾	4	12000	4532
27,4	289	2,9	51,19	KXBCM403	80C ⁽¹⁾	4	18000	7106
26,5	298	1,5	52,83	KXACM353	80C ⁽¹⁾	4	9391	4696
25,5	328	1,1	54,94	KXACM352	80C ⁽¹⁾	4	9515	4757
25,2	314	2,7	55,52	KXBCM403	80C ⁽¹⁾	4	18000	7280
24,6	322	1,9	56,93	KXBCM353	80C ⁽¹⁾	4	12000	4675
23,4	339	2,5	59,96	KXBCM403	80C ⁽¹⁾	4	18000	7447
22,0	360	2,4	63,74	KXBCM403	80C ⁽¹⁾	4	18000	7583
21,4	369	1,2	65,35	KXACM353	80C ⁽¹⁾	4	10000	5041
20,2	391	1,5	69,16	KXBCM353	80C ⁽¹⁾	4	12000	4924
20,2	391	2,2	69,14	KXBCM403	80C ⁽¹⁾	4	18000	7765
19,1	413	2,1	73,14	KXBCM403	80C ⁽¹⁾	4	18000	7893
18,1	438	1,4	77,48	KXBCM353	80C ⁽¹⁾	4	12000	5071
17,7	446	3,8	78,92	KXBCM503	80C ⁽¹⁾	4	22000	10020
17,3	457	1,0	80,83	KXACM353	80C ⁽¹⁾	4	10000	5411
17,3	456	1,9	80,76	KXBCM403	80C ⁽¹⁾	4	18000	8121

⁽¹⁾ Available only with brake motor (TBS)

0,92 kW

n2 [rpm]	M2 [Nm]	fs	i	Gear reducer	Motor Size	Pole	Fr2 D-S-P [N]	Fr2 C [N]
16,7	473	3,8	83,66	KXBCM503	80C ⁽¹⁾	4	22000	10200
15,5	510	1,2	90,33	KXBCM353	80C ⁽¹⁾	4	12000	5270
15,2	521	1,6	92,19	KXBCM403	80C ⁽¹⁾	4	18000	8433
15,2	521	3,5	92,31	KXBCM503	80C ⁽¹⁾	4	22000	10509
13,9	568	1,5	100,57	KXBCM403	80C ⁽¹⁾	4	18000	8641
13,8	572	1,0	101,20	KXBCM353	80C ⁽¹⁾	4	12000	5417
13,3	595	1,4	105,29	KXBCM403	80C ⁽¹⁾	4	18000	8752
13,3	596	3,0	105,44	KXBCM503	80C ⁽¹⁾	4	22000	10939
12,5	631	1,0	111,74	KXBCM353	80C ⁽¹⁾	4	12000	5545
12,2	648	2,8	114,80	KXBCM503	80C ⁽¹⁾	4	22000	11221
12,0	657	1,3	116,25	KXBCM403	80C ⁽¹⁾	4	18000	8994
11,6	680	2,6	120,42	KXBCM503	80C ⁽¹⁾	4	22000	11382
11,0	716	1,2	126,76	KXBCM403	80C ⁽¹⁾	4	18000	9208
10,5	750	2,4	132,87	KXBCM503	80C ⁽¹⁾	4	22000	11718
9,7	818	1,0	144,77	KXBCM403	80C ⁽¹⁾	4	18000	9540
9,7	817	2,2	144,69	KXBCM503	80C ⁽¹⁾	4	22000	12015
8,5	933	1,9	165,25	KXBCM503	80C ⁽¹⁾	4	22000	12488

1,10 kW

n2 [rpm]	M2 [Nm]	fs	i	Gear reducer	Motor Size	Pole	Fr2 D-S-P [N]	Fr2 C [N]
372,9	26	2,6	7,62	KXACM202	80B	2	-	1433
300,2	32	3,7	9,46	KXACM252	80B	2	-	1651
267,3	36	1,9	10,62	KXACM202	80B	2	-	1601
245,4	39	3,1	11,57	KXACM252	80B	2	-	1765
219,3	44	1,5	12,95	KXACM202	80B	2	-	1710
196,4	49	1,4	14,46	KXACM202	80B	2	-	1775
194,2	50	2,4	14,63	KXACM252	80B	2	-	1909
185,1	54	1,7	7,62	KXACM202	80D ⁽¹⁾	4	-	1810
178,2	56	2,9	7,91	KXACM252	80D/90S	4	-	1964
172,4	56	1,6	16,47	KXACM202	80B	2	-	1853
166,0	58	2,6	17,11	KXACM252	80B	2	-	2011
149,0	67	2,4	9,46	KXACM252	80D/90S	4	-	2085
138,3	70	2,2	20,46	KXACM252	80B	2	-	2137
132,7	75	1,2	10,62	KXACM202	80D ⁽¹⁾	4	-	2022
123,6	78	1,2	22,97	KXACM202	80B	2	-	2071
121,0	83	1,9	11,57	KXACM252	80D/90S	4	-	2235
117,5	86	2,0	7,91	KXACM252	90L	6	-	2256
113,5	85	1,8	25,03	KXACM252	80B	2	-	2283
112,5	89	3,9	12,44	KXACM352	90S ⁽¹⁾	4	5800	2900
108,9	92	1,0	12,95	KXACM202	80D ⁽¹⁾	4	-	2160
103,5	93	3,4	27,45	KXACM352	80B	2	5964	2982

⁽¹⁾ Available only with brake motor (TBS)

1,10 kW

n2 [rpm]	M2 [Nm]	fs	i	Gear reducer	Motor Size	Pole	Fr2 D-S-P [N]	Fr2 C [N]
98,3	103	1,6	9,46	KXACM252	90L	6	-	2395
96,4	104	1,5	14,63	KXACM252	80D/90S	4	-	2410
93,9	106	4,0	14,91	KXACM352	90S ⁽¹⁾	4	6160	3080
92,4	109	3,4	10,06	KXACM352	90L/100LR	6	6192	3096
89,5	108	1,4	31,63	KXACM252	80B	2	-	2471
86,0	112	2,8	33,04	KXACM352	80B	2	6344	3172
85,6	117	1,0	16,47	KXACM202	80D ⁽¹⁾	4	-	2341
81,8	122	1,6	17,11	KXACM252	80D/90S	4	-	2546
80,9	119	1,3	35,10	KXACM252	80B	2	-	2555
80,4	125	1,3	11,57	KXACM252	90L	6	-	2561
78,0	128	3,3	17,94	KXACM352	90S	4	6552	3276
74,7	135	2,7	12,44	KXACM352	90L/100LR	6	6647	3323
73,6	124	3,6	38,58	KXBCM353	80B	2	11847	3385
69,5	139	2,2	40,87	KXACM352	80B	2	6810	3405
68,4	146	1,4	20,46	KXACM252	80D/90S	4	-	2702
67,4	143	1,1	41,97	KXACM252	80B	2	-	2715
65,7	139	3,2	43,22	KXBCM353	80B	2	12000	3501
64,7	141	2,4	43,89	KXACM353	80B	2	6974	3487
63,6	159	1,1	14,63	KXACM252	90L	6	-	2769
63,1	158	2,7	22,19	KXACM352	90S	4	7033	3517
62,5	151	4,0	22,39	KXBCM353	80D/90S	4	12000	3546
62,4	162	2,7	14,91	KXACM352	90L/100LR	6	7059	3530
62,2	155	1,7	45,64	KXACM352	80B	2	7066	3533
61,3	156	4,0	15,18	KXBCM353	90L	6	12000	3565
55,9	178	1,1	25,03	KXACM252	80D/90S	4	-	2890
55,7	164	2,7	50,81	KXBCM353	80B	2	12000	3675
55,3	165	3,9	51,19	KXBCM403	80B	2	18000	5707
54,7	175	3,6	17,00	KXBCM353	90L/100LR	6	12000	3685
54,4	185	1,1	17,11	KXACM252	90L	6	-	2918
53,8	170	2,0	52,83	KXACM353	80B	2	7419	3709
53,7	176	3,4	26,09	KXBCM353	80D/90S	4	12000	3707
51,8	194	2,3	17,94	KXACM352	90L/100LR	6	7509	3755
51,5	187	1,4	54,94	KXACM352	80B	2	7525	3762
51,0	196	2,1	27,45	KXACM352	80D/90S	4	7550	3775
51,0	179	3,6	55,52	KXBCM403	80B	2	18000	5852
49,9	189	3,2	28,03	KXBCM353	80D/90S	4	12000	3785
49,7	184	2,5	56,93	KXBCM353	80B	2	12000	3798
47,4	193	3,3	59,96	KXBCM403	80B	2	18000	5984
45,5	222	0,9	20,46	KXACM252	90L	6	-	3097
45,2	221	0,9	31,63	KXACM252	90S	4	-	3102
44,6	205	3,1	63,74	KXBCM403	80B	2	18000	6097
44,0	215	4,0	31,80	KXBCM403	80D/90S	4	18000	6110

⁽¹⁾ Available only with brake motor (TBS)

1,10 kW

n ₂ [rpm]	M ₂ [Nm]	f _s	i	Gear reducer	Motor		Fr ₂ D-S-P [N]	Fr ₂ C [N]
					Size	Pole		
43,3	211	1,6	65,35	KXACM353	80B	2	7973	3986
42,4	236	1,8	33,04	KXACM352	80D/90S	4	8031	4016
41,9	241	1,8	22,19	KXACM352	90L/100LR	6	8061	4030
41,9	226	2,7	33,43	KXBCM353	80D/90S	4	12000	3979
41,6	231	1,1	67,96	KXACM352	80B	2	8078	4039
41,5	230	2,7	22,39	KXBCM353	90L/100LR	6	12000	3985
40,9	223	2,0	69,16	KXBCM353	80B	2	12000	4015
40,9	223	2,9	69,14	KXBCM403	80B	2	18000	6256
40,8	234	3,8	22,82	KXBCM403	90L/100LR	6	18000	6252
40,6	233	3,6	34,49	KXBCM403	80D/90S	4	18000	6262
38,7	236	2,7	73,14	KXBCM403	80B	2	18000	6363
36,5	250	1,8	77,48	KXBCM353	80B	2	12000	4145
36,3	261	2,3	38,58	KXBCM353	80D/90S	4	12000	4141
35,6	268	2,4	26,09	KXBCM353	90L/100LR	6	12000	4158
35,4	267	3,2	39,60	KXBCM403	80D/90S	4	18000	6527
35,0	261	1,3	80,83	KXACM353	80B	2	8558	4279
35,0	260	2,4	80,76	KXBCM403	80B	2	18000	6555
34,8	274	3,3	26,71	KXBCM403	90L/100LR	6	18000	6554
34,3	291	1,4	40,87	KXACM352	80D/90S	4	8621	4311
33,9	298	1,5	27,45	KXACM352	90L/100LR	6	8653	4326
33,2	288	2,2	28,03	KXBCM353	90L/100LR	6	12000	4240
32,6	290	2,9	42,95	KXBCM403	80D/90S	4	18000	6687
32,4	292	2,1	43,22	KXBCM353	80D/90S	4	12000	4271
31,9	296	1,5	43,89	KXACM353	80D/90S	4	8828	4414
31,5	303	2,9	29,50	KXBCM403	90L/100LR	6	18000	6749
31,3	291	1,5	90,33	KXBCM353	80B	2	12000	4323
30,8	307	2,8	45,44	KXBCM403	80D/90S	4	18000	6799
30,7	325	1,1	45,64	KXACM352	80D/90S	4	8944	4472
30,7	297	2,1	92,19	KXBCM403	80B	2	18000	6819
29,2	326	2,7	31,80	KXBCM403	90L/100LR	6	18000	6900
29,1	314	1,1	97,29	KXACM353	80B	2	9104	4552
28,1	358	1,2	33,04	KXACM352	90L/100LR	6	9204	4602
28,1	324	2,0	100,57	KXBCM403	80B	2	18000	6996
28,0	326	1,4	101,20	KXBCM353	80B	2	12000	4458
27,8	343	1,8	33,43	KXBCM353	90L/100LR	6	12000	4444
27,6	343	1,7	50,81	KXBCM353	80D/90S	4	12000	4460
27,4	346	2,5	51,19	KXBCM403	80D/90S	4	18000	7041
27,0	354	2,5	34,49	KXBCM403	90L/100LR	6	18000	7066
26,9	339	1,9	105,29	KXBCM403	80B	2	18000	7091
26,8	340	4,0	105,44	KXBCM503	80B	2	22000	8781
26,5	357	1,3	52,83	KXACM353	80D/90S	4	9391	4696
25,7	389	0,9	54,94	KXACM352	80D/90S	4	9492	4746

5.1 KXBC/KXAC GEARED MOTORS (50Hz)

1,10 kW

n ₂ [rpm]	M ₂ [Nm]	f _s	i	Gear reducer	Motor		Fr ₂ D-S-P [N]	Fr ₂ C [N]
					Size	Pole		
25,3	360	1,2	111,74	KXBCM353	80B	2	12000	4576
25,2	375	2,3	55,52	KXBCM403	80D/90S	4	18000	7209
24,7	370	3,6	114,80	KXBCM503	80B	2	22000	9013
24,6	384	1,6	56,93	KXBCM353	80D/90S	4	12000	4594
24,3	375	1,7	116,25	KXBCM403	80B	2	18000	7299
24,1	396	1,6	38,58	KXBCM353	90L/100LR	6	12000	4613
23,5	407	2,2	39,60	KXBCM403	90L/100LR	6	18000	7354
23,5	388	3,5	120,42	KXBCM503	80B	2	22000	9147
23,4	405	2,1	59,96	KXBCM403	80D/90S	4	18000	7371
22,8	443	0,9	40,87	KXACM352	90L/100LR	6	9880	4940
22,8	400	1,1	124,20	KXBCM353	80B	2	12000	4703
22,3	409	1,6	126,76	KXBCM403	80B	2	18000	7483
22,0	430	2,0	63,74	KXBCM403	80D/90S	4	18000	7501
21,7	441	2,0	42,95	KXBCM403	90L/100LR	6	18000	7527
21,6	438	3,9	64,89	KXBCM503	80D/90S	4	22000	9376
21,5	444	1,4	43,22	KXBCM353	90L/100LR	6	12000	4747
21,4	441	1,0	65,35	KXACM353	80D/90S	4	10000	5041
21,3	428	3,2	132,87	KXBCM503	80B	2	22000	9426
21,2	451	1,0	43,89	KXACM353	90L	6	10000	5059
20,8	458	3,9	44,61	KXBCM503	90L/100LR	6	22000	9471
20,5	467	1,9	45,44	KXBCM403	90L/100LR	6	18000	7648
20,4	463	3,7	68,58	KXBCM503	80D/90S	4	22000	9535
20,3	449	1,0	139,15	KXBCM353	80B	2	12000	4841
20,2	467	1,3	69,16	KXBCM353	80D/90S	4	12000	4825
20,2	467	1,8	69,14	KXBCM403	80D/90S	4	18000	7677
19,7	486	3,7	47,28	KXBCM503	90L/100LR	6	22000	9640
19,6	466	2,9	144,69	KXBCM503	80B	2	22000	9674
19,5	467	1,4	144,77	KXBCM403	80B	2	18000	7773
19,2	491	3,5	72,76	KXBCM503	80D/90S	4	22000	9708
19,1	494	1,7	73,14	KXBCM403	80D/90S	4	18000	7799
18,5	516	3,5	50,24	KXBCM503	90L/100LR	6	22000	9818
18,3	522	1,2	50,81	KXBCM353	90L/100LR	6	12000	4938
18,2	526	1,7	51,19	KXBCM403	90L/100LR	6	18000	7908
18,1	523	1,1	77,48	KXBCM353	80D/90S	4	12000	4960
17,7	533	3,2	78,92	KXBCM503	80D/90S	4	22000	9949
17,5	544	3,3	53,02	KXBCM503	90L/100LR	6	22000	9978
17,3	545	1,6	80,76	KXBCM403	80D/90S	4	18000	8018
17,1	533	2,5	165,25	KXBCM503	80B	2	22000	10070
16,7	570	1,6	55,52	KXBCM403	90L/100LR	6	18000	8088
16,7	565	3,2	83,66	KXBCM503	80D/90S	4	22000	10124
16,3	584	1,1	56,93	KXBCM353	90L/100LR	6	12000	5072
15,9	601	3,0	58,50	KXBCM503	90L/100LR	6	22000	10276

1,10 kW

n ₂ [rpm]	M ₂ [Nm]	f _s	i	Gear reducer	Motor		Fr ₂ D-S-P [N]	Fr ₂ C [N]
					Size	Pole		
15,6	606	1,0	90,33	KXBCM353	80D ⁽¹⁾	4	12000	5133
15,5	616	1,4	59,96	KXBCM403	90L/100LR	6	18000	8260
15,2	623	1,4	92,19	KXBCM403	80D/90S	4	18000	8315
15,2	623	2,9	92,31	KXBCM503	80D/90S	4	22000	10425
14,6	654	1,4	63,74	KXBCM403	90L/100LR	6	18000	8398
14,3	666	2,7	64,89	KXBCM503	90L/100LR	6	22000	10596
13,9	679	1,3	100,57	KXBCM403	80D/90S	4	18000	8513
13,6	704	2,5	68,58	KXBCM503	90L/100LR	6	22000	10770
13,5	710	1,3	69,14	KXBCM403	90L/100LR	6	18000	8583
13,3	711	1,2	105,29	KXBCM403	80D/90S	4	18000	8618
13,3	712	2,5	105,44	KXBCM503	80D/90S	4	22000	10843
12,8	747	2,4	72,76	KXBCM503	90L/100LR	6	22000	10959
12,7	751	1,2	73,14	KXBCM403	90L/100LR	6	18000	8712
12,2	775	2,3	114,80	KXBCM503	80D/90S	4	22000	11117
12,0	785	1,1	116,25	KXBCM403	80D/90S	4	18000	8846
11,8	810	2,2	78,92	KXBCM503	90L/100LR	6	22000	11222
11,6	813	2,2	120,42	KXBCM503	80D/90S	4	22000	11272
11,5	829	1,1	80,76	KXBCM403	90L/100LR	6	18000	8940
11,1	859	2,2	83,66	KXBCM503	90L/100LR	6	22000	11413
11,0	856	1,0	126,76	KXBCM403	80D/90S	4	18000	9046
10,8	878	4,0	129,96	KXBCM603	90S ⁽¹⁾	4	30000	16223
10,5	897	2,0	132,87	KXBCM503	80D/90S	4	22000	11597
10,1	947	0,9	92,19	KXBCM403	90L/100LR	6	18000	9246
10,1	948	2,0	92,31	KXBCM503	90L/100LR	6	22000	11740
9,7	977	1,8	144,69	KXBCM503	80D/90S	4	22000	11884
9,7	975	3,6	144,43	KXBCM603	90S	4	30000	16711
9,5	1002	3,7	99,70	KXBCM603	100LR	6	30000	16778
8,8	1083	1,7	105,44	KXBCM503	90L/100LR	6	22000	12191
8,7	1095	3,4	106,65	KXBCM603	90L/100LR	6	30000	17193
8,7	1082	3,2	160,23	KXBCM603	90S	4	30000	17198
8,5	1116	1,6	165,25	KXBCM503	80D/90S	4	22000	12338
8,1	1179	1,6	114,80	KXBCM503	90L/100LR	6	22000	12484
7,8	1228	3,0	119,60	KXBCM603	90L/100LR	6	30000	17736
7,8	1218	2,9	180,40	KXBCM603	90S	4	30000	17762
7,7	1236	1,5	120,42	KXBCM503	90L/100LR	6	22000	12650
7,2	1334	2,8	129,96	KXBCM603	90L/100LR	6	30000	18135
7,0	1364	1,4	132,87	KXBCM503	90L/100LR	6	22000	12996
7,0	1371	3,8	136,44	KXBCM703	100LR	6	40000	40000
6,4	1486	1,3	144,69	KXBCM503	90L/100LR	6	22000	13299
6,4	1483	2,5	144,43	KXBCM603	90L/100LR	6	30000	18644
6,4	1504	3,5	149,59	KXBCM703	100LR	6	40000	40000
5,8	1645	2,2	160,23	KXBCM603	90L/100LR	6	30000	19149

⁽¹⁾ Available only with brake motor (TBS)

1,10 kW

n2 [rpm]	M2 [Nm]	fs	i	Gear reducer	Motor Size	Pole	Fr2 D-S-P [N]	Fr2 C [N]
5,7	1674	3,1	166,53	KXBCM703	100LR	6	40000	40000
5,6	1697	1,1	165,25	KXBCM503	90L/100LR	6	22000	13776
5,2	1852	2,0	180,40	KXBCM603	90L/100LR	6	30000	19728
5,1	1882	2,8	187,24	KXBCM703	100LR	6	40000	40000

1,50 kW

n2 [rpm]	M2 [Nm]	fs	i	Gear reducer	Motor Size	Pole	Fr2 D-S-P [N]	Fr2 C [N]
369,0	36	1,9	7,62	KXACM202	80C ⁽¹⁾	2	-	1438
355,1	37	3,2	7,91	KXACM252	80C/90S	2	-	1561
297,0	44	2,7	9,46	KXACM252	80C/90S	2	-	1657
264,5	50	1,4	10,62	KXACM202	80C ⁽¹⁾	2	-	1607
242,8	54	2,2	11,57	KXACM252	80C/90S	2	-	1772
217,0	61	1,1	12,95	KXACM202	80C ⁽¹⁾	2	-	1716
192,1	68	1,8	14,63	KXACM252	80C/90S	2	-	1915
176,9	77	2,1	7,91	KXACM252	90L/90LA	4	-	1969
170,6	77	1,2	16,47	KXACM202	80C ⁽¹⁾	2	-	1860
164,2	80	1,9	17,11	KXACM252	80C/90S	2	-	2018
162,7	80	3,8	5,71	KXBCM353	100L/100LA	6	9188	2625
158,3	83	3,8	17,94	KXACM352	90S	2	5176	2588
148,0	92	1,7	9,46	KXACM252	90L/90LA	4	-	2090
139,2	98	3,6	10,06	KXACM352	90L/90LA	4	5403	2701
137,3	96	1,6	20,46	KXACM252	80C/90S	2	-	2142
135,2	96	3,7	6,88	KXBCM353	100L/100LA	6	9717	2776
128,0	103	3,1	22,19	KXACM352	90S	2	5556	2778
127,0	103	3,6	7,32	KXBCM353	100L/100LA	6	9900	2829
121,0	113	1,4	11,57	KXACM252	90L/90LA	4	-	2235
112,5	121	2,9	12,44	KXACM352	90L/90LA	4	5800	2900
112,3	117	1,3	25,03	KXACM252	80C/90S	2	-	2291
111,3	124	3,0	8,36	KXACM352	100L/100LA	6	5821	2910
107,7	116	3,9	26,09	KXBCM353	80C/90S	2	10421	2977
102,4	128	2,5	27,45	KXACM352	80C/90S	2	5985	2993
101,5	128	3,8	9,16	KXBCM353	100L/100LA	6	10579	3023
100,2	124	3,6	28,03	KXBCM353	80C/90S	2	10644	3041
95,7	142	1,1	14,63	KXACM252	90L/90LA	4	-	2416
93,9	145	2,9	14,91	KXACM352	90L/90LA	4	6160	3080
92,4	149	2,5	10,06	KXACM352	100L/100LA	6	6192	3096
90,6	144	3,8	10,26	KXBCM353	100L/100LA	6	10936	3124
88,8	148	1,0	31,63	KXACM252	80C/90S	2	-	2477
85,0	154	2,0	33,04	KXACM352	80C/90S	2	6367	3183
84,3	154	3,7	11,03	KXBCM353	100L/100LA	6	11165	3190
84,1	148	3,0	33,43	KXBCM353	80C/90S	2	11207	3202

⁽¹⁾ Available only with brake motor (TBS)

5.1 KXBC/KXAC GEARED MOTORS (50Hz)

1,50 kW

n2 [rpm]	M2 [Nm]	fs	i	Gear reducer	Motor		Fr2 D-S-P [N]	Fr2 C [N]
					Size	Pole		
82,3	157	3,8	17,00	KXBCM353	90L/90LA	4	11249	3214
81,8	166	1,2	17,11	KXACM252	90L/90LA	4	-	2546
78,0	174	2,4	17,94	KXACM352	90L/90LA	4	6552	3276
75,3	173	3,5	12,35	KXBCM353	100L/100LA	6	11534	3296
74,7	184	2,0	12,44	KXACM352	100L/100LA	6	6647	3323
72,8	171	2,6	38,58	KXBCM353	80C/90S	2	11679	3337
71,0	175	3,6	39,60	KXBCM403	80C/90S	2	18000	5229
70,7	184	3,4	13,15	KXBCM353	100L/100LA	6	11741	3354
68,8	191	1,6	40,87	KXACM352	80C/90S	2	6834	3417
68,4	199	1,0	20,46	KXACM252	90L/90LA	4	-	2702
65,4	190	3,4	42,95	KXBCM403	80C/90S	2	18000	5360
65,0	191	2,4	43,22	KXBCM353	80C/90S	2	12000	3446
64,0	194	1,7	43,89	KXACM353	80C/90S	2	6999	3499
63,1	216	1,9	22,19	KXACM352	90L/90LA	4	7033	3517
62,5	206	2,9	22,39	KXBCM353	90L/90LA	4	12000	3475
62,4	220	2,0	14,91	KXACM352	100L/100LA	6	7059	3530
61,8	201	3,2	45,44	KXBCM403	80C/90S	2	18000	5452
61,6	213	1,2	45,64	KXACM352	80C/90S	2	7091	3545
61,3	212	2,9	15,18	KXBCM353	100L/100LA	6	12000	3492
56,0	232	3,8	16,60	KXBCM403	100L/100LA	6	18000	5603
55,3	225	2,0	50,81	KXBCM353	80C/90S	2	12000	3605
54,9	227	2,8	51,19	KXBCM403	80C/90S	2	18000	5650
54,7	238	2,6	17,00	KXBCM353	100L/100LA	6	12000	3603
53,7	240	2,5	26,09	KXBCM353	90L/90LA	4	12000	3625
53,2	234	1,4	52,83	KXACM353	80C/90S	2	7445	3723
52,4	246	3,5	26,71	KXBCM403	90L/90LA	4	18000	5719
51,8	265	1,7	17,94	KXACM352	100L/100LA	6	7509	3755
51,1	257	1,0	54,94	KXACM352	80C/90S	2	7543	3771
51,0	267	1,6	27,45	KXACM352	90L/90LA	4	7550	3775
50,8	257	3,5	18,32	KXBCM403	100L/100LA	6	18000	5771
50,6	246	2,6	55,52	KXBCM403	80C/90S	2	18000	5789
49,9	258	2,3	28,03	KXBCM353	90L/90LA	4	12000	3696
49,4	252	1,8	56,93	KXBCM353	80C/90S	2	12000	3719
47,5	272	3,1	29,50	KXBCM403	90L/90LA	4	18000	5889
46,9	265	2,4	59,96	KXBCM403	80C/90S	2	18000	5922
44,1	282	2,3	63,74	KXBCM403	80C/90S	2	18000	6030
44,0	293	2,9	31,80	KXBCM403	90L/90LA	4	18000	6020
43,0	289	1,2	65,35	KXACM353	80C/90S	2	7992	3996
42,4	321	1,3	33,04	KXACM352	90L/90LA	4	8031	4016
41,9	328	1,3	22,19	KXACM352	100L/100LA	6	8061	4030
41,9	308	1,9	33,43	KXBCM353	90L/90LA	4	12000	3873
41,5	314	2,0	22,39	KXBCM353	100L/100LA	6	12000	3877

5.1 KXBC/KXAC GEARED MOTORS (50Hz)

1,50 kW

n ₂ [rpm]	M ₂ [Nm]	f _s	i	Gear reducer	Motor		Fr ₂ D-S-P [N]	Fr ₂ C [N]
					Size	Pole		
40,8	319	2,8	22,82	KXBCM403	100L/100LA	6	18000	6153
40,6	306	1,5	69,16	KXBCM353	80C/90S	2	12000	3918
40,6	318	2,7	34,49	KXBCM403	90L/90LA	4	18000	6164
40,6	306	2,1	69,14	KXBCM403	80C/90S	2	18000	6175
38,6	322	4,0	72,76	KXBCM503	80C ⁽¹⁾	2	22000	7770
38,4	324	2,0	73,14	KXBCM403	80C/90S	2	18000	6277
36,3	355	1,7	38,58	KXBCM353	90L/90LA	4	12000	4018
36,3	343	1,3	77,48	KXBCM353	80C/90S	2	12000	4035
35,6	365	1,7	26,09	KXBCM353	100L/100LA	6	12000	4032
35,6	349	3,6	78,92	KXBCM503	80C/90S	2	22000	7966
35,4	365	2,3	39,60	KXBCM403	90L/90LA	4	18000	6414
34,8	374	2,4	26,71	KXBCM403	100L/100LA	6	18000	6439
34,8	358	1,8	80,76	KXBCM403	80C/90S	2	18000	6459
34,3	397	1,0	40,87	KXACM352	90L/90LA	4	8621	4311
33,9	406	1,1	27,45	KXACM352	100L/100LA	6	8653	4326
33,6	370	3,6	83,66	KXBCM503	80C/90S	2	22000	8109
33,2	392	1,6	28,03	KXBCM353	100L/100LA	6	12000	4105
32,6	396	2,1	42,95	KXBCM403	90L/90LA	4	18000	6565
32,4	398	1,5	43,22	KXBCM353	90L/90LA	4	12000	4134
31,9	404	1,1	43,89	KXACM353	90L/90LA	4	8828	4414
31,5	413	2,2	29,50	KXBCM403	100L/100LA	6	18000	6622
31,1	400	1,1	90,33	KXBCM353	80C ⁽¹⁾	2	12000	4194
30,8	418	2,0	45,44	KXBCM403	90L/90LA	4	18000	6670
30,5	408	1,6	92,19	KXBCM403	80C/90S	2	18000	6707
30,4	428	3,9	30,55	KXBCM503	100L/100LA	6	22000	8340
30,4	409	3,3	92,31	KXBCM503	80C/90S	2	22000	8355
29,6	435	3,9	47,28	KXBCM503	90L/90LA	4	22000	8413
29,2	445	2,0	31,80	KXBCM403	100L/100LA	6	18000	6763
28,1	488	0,9	33,04	KXACM352	100L/100LA	6	9204	4602
28,1	463	3,9	33,07	KXBCM503	100L/100LA	6	22000	8541
27,9	445	1,4	100,57	KXBCM403	80C/90S	2	18000	6873
27,9	463	3,7	50,24	KXBCM503	90L/90LA	4	22000	8568
27,8	468	1,3	33,43	KXBCM353	100L/100LA	6	12000	4283
27,8	448	1,0	101,20	KXBCM353	80C ⁽¹⁾	2	12000	4312
27,6	468	1,3	50,81	KXBCM353	90L/90LA	4	12000	4299
27,4	471	1,8	51,19	KXBCM403	90L/90LA	4	18000	6895
27,0	483	1,8	34,49	KXBCM403	100L/100LA	6	18000	6917
26,7	466	1,4	105,29	KXBCM403	80C/90S	2	18000	6962
26,6	467	2,9	105,44	KXBCM503	80C/90S	2	22000	8697
26,5	487	0,9	52,83	KXACM353	90L/90LA	4	9391	4696
26,4	488	3,5	53,02	KXBCM503	90L/90LA	4	22000	8708
25,9	502	3,6	35,87	KXBCM503	100L/100LA	6	22000	8751

⁽¹⁾ Available only with brake motor (TBS)

5.1 KXBC/KXAC GEARED MOTORS (50Hz)

1,50 kW

n2 [rpm]	M2 [Nm]	fs	i	Gear reducer	Motor Size	Pole	Fr2 D-S-P [N]	Fr2 C [N]
25,2	511	1,7	55,52	KXBCM403	90L/90LA	4	18000	7052
24,6	524	1,1	56,93	KXBCM353	90L/90LA	4	12000	4414
24,5	508	2,7	114,80	KXBCM503	80C/90S	2	22000	8922
24,2	515	1,2	116,25	KXBCM403	80C/90S	2	18000	7155
24,1	540	1,2	38,58	KXBCM353	100L/100LA	6	12000	4427
23,9	539	3,2	58,50	KXBCM503	90L/90LA	4	22000	8967
23,5	554	1,6	39,60	KXBCM403	100L/100LA	6	18000	7183
23,4	552	1,5	59,96	KXBCM403	90L/90LA	4	18000	7201
23,3	533	2,5	120,42	KXBCM503	80C/90S	2	22000	9050
22,6	576	3,1	41,12	KXBCM503	100L/100LA	6	22000	9114
22,2	561	1,1	126,76	KXBCM403	80C/90S	2	18000	7326
22,0	587	1,4	63,74	KXBCM403	90L/90LA	4	18000	7320
21,7	601	1,5	42,95	KXBCM403	100L/100LA	6	18000	7342
21,6	598	2,8	64,89	KXBCM503	90L/90LA	4	22000	9245
21,5	605	1,0	43,22	KXBCM353	100L/100LA	6	12000	4539
21,1	588	2,3	132,87	KXBCM503	80C/90S	2	22000	9318
20,8	625	2,9	44,61	KXBCM503	100L/100LA	6	22000	9334
20,5	636	1,4	45,44	KXBCM403	100L/100LA	6	18000	7452
20,4	632	2,7	68,58	KXBCM503	90L/90LA	4	22000	9397
20,2	637	0,9	69,16	KXBCM353	90L/90LA	4	12000	4606
20,2	637	1,3	69,14	KXBCM403	90L/90LA	4	18000	7480
19,7	662	2,7	47,28	KXBCM503	100L/100LA	6	22000	9495
19,6	634	1,0	144,77	KXBCM403	90S	2	18000	7570
19,4	641	2,1	144,69	KXBCM503	80C/90S	2	22000	9554
19,2	670	2,5	72,76	KXBCM503	90L/90LA	4	22000	9561
19,1	674	1,3	73,14	KXBCM403	90L/90LA	4	18000	7592
18,5	703	2,5	50,24	KXBCM503	100L/100LA	6	22000	9663
18,2	717	1,2	51,19	KXBCM403	100L/100LA	6	18000	7687
17,7	727	2,3	78,92	KXBCM503	90L/90LA	4	22000	9789
17,7	702	3,7	160,23	KXBCM603	90S	2	30000	13821
17,5	742	2,4	53,02	KXBCM503	100L/100LA	6	22000	9815
17,3	744	1,1	80,76	KXBCM403	90L/90LA	4	18000	7789
17,0	732	1,8	165,25	KXBCM503	80C/90S	2	22000	9931
16,7	777	1,1	55,52	KXBCM403	100L/100LA	6	18000	7849
16,7	770	2,3	83,66	KXBCM503	90L/90LA	4	22000	9955
15,9	819	2,2	58,50	KXBCM503	100L/100LA	6	22000	10096
15,7	790	3,3	180,40	KXBCM603	90S	2	30000	14293
15,5	839	1,1	59,96	KXBCM403	100L/100LA	6	18000	8001
15,2	849	1,0	92,19	KXBCM403	90L/90LA	4	18000	8053
15,2	850	2,1	92,31	KXBCM503	90L/90LA	4	22000	10239
14,9	876	4,0	62,59	KXBCM603	100L/100LA	6	30000	14475
14,6	892	1,0	63,74	KXBCM403	100L/100LA	6	18000	8123

5.1 KXBC/KXAC GEARED MOTORS (50Hz)

1,50 kW

n2 [rpm]	M2 [Nm]	fs	i	Gear reducer	Motor Size	Pole	Fr2 D-S-P [N]	Fr2 C [N]
14,3	908	2,0	64,89	KXBCM503	100L/100LA	6	22000	10397
13,9	926	0,9	100,57	KXBCM403	90L/90LA	4	18000	8227
13,6	960	1,9	68,58	KXBCM503	100L/100LA	6	22000	10560
13,5	968	0,9	69,14	KXBCM403	100L/100LA	6	18000	8285
13,4	972	3,6	69,43	KXBCM603	100L/100LA	6	30000	14894
13,3	971	1,9	105,44	KXBCM503	90L/90LA	4	22000	10631
13,1	982	3,6	106,65	KXBCM603	90L/90LA	4	30000	14989
12,8	1019	1,8	72,76	KXBCM503	100L/100LA	6	22000	10736
12,5	1042	3,5	74,42	KXBCM603	100L/100LA	6	30000	15177
12,2	1057	1,7	114,80	KXBCM503	90L/90LA	4	22000	10885
11,8	1105	1,6	78,92	KXBCM503	100L/100LA	6	22000	10980
11,7	1101	3,2	119,60	KXBCM603	90L/90LA	4	30000	15460
11,6	1109	1,6	120,42	KXBCM503	90L/90LA	4	22000	11029
11,6	1121	3,3	80,04	KXBCM603	100L/100LA	6	30000	15476
11,1	1171	1,6	83,66	KXBCM503	100L/100LA	6	22000	11156
10,8	1197	2,9	129,96	KXBCM603	90L/90LA	4	30000	15804
10,5	1224	1,5	132,87	KXBCM503	90L/90LA	4	22000	11329
10,3	1258	2,9	89,87	KXBCM603	100L/100LA	6	30000	15955
10,1	1292	1,5	92,31	KXBCM503	100L/100LA	6	22000	11456
9,9	1318	4,0	94,13	KXBCM703	100LA	6	40000	40000
9,7	1332	1,4	144,69	KXBCM503	90L/90LA	4	22000	11592
9,7	1330	2,6	144,43	KXBCM603	90L/90LA	4	30000	16245
9,3	1396	2,6	99,70	KXBCM603	100L/100LA	6	30000	16388
8,8	1476	1,3	105,44	KXBCM503	100L/100LA	6	22000	11867
8,8	1482	3,5	105,83	KXBCM703	100L/100LA	6	40000	40000
8,7	1476	2,4	160,23	KXBCM603	90L/90LA	4	30000	16681
8,7	1493	2,5	106,65	KXBCM603	100L/100LA	6	30000	16670
8,5	1522	1,2	165,25	KXBCM503	90L/90LA	4	22000	12005
8,3	1567	3,3	111,94	KXBCM703	100L/100LA	6	40000	40000
8,1	1607	1,2	114,80	KXBCM503	100L/100LA	6	22000	12132
7,8	1675	2,2	119,60	KXBCM603	100L/100LA	6	30000	17150
7,8	1661	2,1	180,40	KXBCM603	90L/90LA	4	30000	17180
7,7	1686	1,1	120,42	KXBCM503	100L/100LA	6	22000	12281
7,5	1745	3,0	124,62	KXBCM703	100L/100LA	6	40000	40000
7,2	1820	2,0	129,96	KXBCM603	100L/100LA	6	30000	17497
7,0	1860	1,0	132,87	KXBCM503	100L/100LA	6	22000	12589
6,8	1910	2,7	136,44	KXBCM703	100L/100LA	6	40000	40000
6,4	2026	0,9	144,69	KXBCM503	100L/100LA	6	22000	12855
6,4	2022	1,8	144,43	KXBCM603	100L/100LA	6	30000	17936
6,2	2094	2,5	149,59	KXBCM703	100L/100LA	6	40000	40000
5,8	2243	1,6	160,23	KXBCM603	100L/100LA	6	30000	18363
5,6	2332	2,3	166,53	KXBCM703	100L/100LA	6	40000	40000

5.1 KXBC/KXAC GEARED MOTORS (50Hz)

1,50 kW

n2 [rpm]	M2 [Nm]	fs	i	Gear reducer	Motor Size	Pole	Fr2 D-S-P [N]	Fr2 C [N]
5,2	2526	1,5	180,40	KXBCM603	100L/100LA	6	30000	18843
5,0	2622	2,0	187,24	KXBCM703	100L/100LA	6	40000	40000

1,85 kW

n2 [rpm]	M2 [Nm]	fs	i	Gear reducer	Motor Size	Pole	Fr2 D-S-P [N]	Fr2 C [N]
176,9	95	1,7	7,91	KXACM252	90LB ⁽¹⁾	4	-	1969
167,5	100	3,5	8,36	KXACM352	90LB ⁽¹⁾	4	5079	2540
162,7	99	3,1	5,71	KXBCM353	100LB	6	9103	2601
148,0	113	1,4	9,46	KXACM252	90LB ⁽¹⁾	4	-	2090
139,2	121	2,9	10,06	KXACM352	90LB ⁽¹⁾	4	5403	2701
135,2	119	3,0	6,88	KXBCM353	100LB	6	9615	2747
127,0	126	2,9	7,32	KXBCM353	100LB	6	9792	2798
121,0	139	1,2	11,57	KXACM252	90LB ⁽¹⁾	4	-	2235
119,1	135	3,9	7,81	KXBCM403	100LB	6	15480	4423
112,5	149	2,3	12,44	KXACM352	90LB ⁽¹⁾	4	5800	2900
111,3	152	2,4	8,36	KXACM352	100LB	6	5821	2910
106,5	149	3,9	13,15	KXBCM353	90LB ⁽¹⁾	4	10310	2946
101,5	158	3,1	9,16	KXBCM353	100LB	6	10444	2984
95,7	175	0,9	14,63	KXACM252	90LB ⁽¹⁾	4	-	2416
93,9	179	2,4	14,91	KXACM352	90LB ⁽¹⁾	4	6160	3080
92,4	183	2,0	10,06	KXACM352	100LB	6	6192	3096
92,3	172	3,4	15,18	KXBCM353	90LB ⁽¹⁾	4	10738	3068
90,6	177	3,1	10,26	KXBCM353	100LB	6	10784	3081
88,6	181	3,8	10,49	KXBCM403	100LB	6	16934	4838
84,3	190	3,0	11,03	KXBCM353	100LB	6	11002	3144
82,3	193	3,1	17,00	KXBCM353	90LB ⁽¹⁾	4	11084	3167
81,8	205	1,0	17,11	KXACM252	90LB ⁽¹⁾	4	-	2546
80,3	200	3,9	11,59	KXBCM403	100LB	6	17445	4984
78,0	215	2,0	17,94	KXACM352	90LB ⁽¹⁾	4	6552	3276
75,3	213	2,9	12,35	KXBCM353	100LB	6	11352	3244
74,7	227	1,6	12,44	KXACM352	100LB	6	6647	3323
70,7	227	2,7	13,15	KXBCM353	100LB	6	11547	3299
64,5	249	3,4	14,43	KXBCM403	100LB	6	18000	5319
63,1	266	1,6	22,19	KXACM352	90LB ⁽¹⁾	4	7033	3517
62,5	254	2,4	22,39	KXBCM353	90LB ⁽¹⁾	4	11945	3413
62,4	272	1,6	14,91	KXACM352	100LB	6	7059	3530
61,4	259	3,3	22,82	KXBCM403	90LB ⁽¹⁾	4	18000	5399
61,3	262	2,4	15,18	KXBCM353	100LB	6	11997	3428
56,0	287	3,1	16,60	KXBCM403	100LB	6	18000	5541
54,7	294	2,1	17,00	KXBCM353	100LB	6	12000	3531
53,7	296	2,0	26,09	KXBCM353	90LB ⁽¹⁾	4	12000	3552

⁽¹⁾ Available only with brake motor (TBS)

1,85 kW

n2 [rpm]	M2 [Nm]	fs	i	Gear reducer	Motor Size	Pole	Fr2 D-S-P [N]	Fr2 C [N]
52,4	303	2,8	26,71	KXBCM403	90LB ⁽¹⁾	4	18000	5653
51,8	327	1,3	17,94	KXACM352	100LB	6	7509	3755
51,0	329	1,3	27,45	KXACM352	90LB ⁽¹⁾	4	7550	3775
50,8	316	2,8	18,32	KXBCM403	100LB	6	18000	5701
49,9	318	1,9	28,03	KXBCM353	90LB ⁽¹⁾	4	12000	3618
47,5	335	2,5	29,50	KXBCM403	90LB ⁽¹⁾	4	18000	5816
44,0	361	2,4	31,80	KXBCM403	90LB ⁽¹⁾	4	18000	5941
42,4	396	1,1	33,04	KXACM352	90LB ⁽¹⁾	4	8031	4016
41,9	405	1,1	22,19	KXACM352	100LB	6	8061	4030
41,9	380	1,6	33,43	KXBCM353	90LB ⁽¹⁾	4	12000	3780
41,5	387	1,6	22,39	KXBCM353	100LB	6	12000	3783
40,8	394	2,3	22,82	KXBCM403	100LB	6	18000	6067
40,6	392	2,2	34,49	KXBCM403	90LB ⁽¹⁾	4	18000	6079
39,2	409	3,6	23,70	KXBCM503	100LB	6	22000	7656
36,3	438	1,4	38,58	KXBCM353	90LB ⁽¹⁾	4	12000	3911
35,6	451	1,4	26,09	KXBCM353	100LB	6	12000	3922
35,4	450	1,9	39,60	KXBCM403	90LB ⁽¹⁾	4	18000	6316
35,1	458	3,4	26,51	KXBCM503	100LB	6	22000	7918
34,8	461	1,9	26,71	KXBCM403	100LB	6	18000	6338
34,0	467	3,6	41,12	KXBCM503	90LB ⁽¹⁾	4	22000	7992
33,2	484	1,3	28,03	KXBCM353	100LB	6	12000	3987
32,6	488	1,7	42,95	KXBCM403	90LB ⁽¹⁾	4	18000	6458
32,4	491	1,2	43,22	KXBCM353	90LB ⁽¹⁾	4	12000	4015
31,9	498	0,9	43,89	KXACM353	90LB ⁽¹⁾	4	8828	4414
31,5	509	1,8	29,50	KXBCM403	100LB	6	18000	6511
31,4	507	3,4	44,61	KXBCM503	90LB ⁽¹⁾	4	22000	8188
30,8	516	1,6	45,44	KXBCM403	90LB ⁽¹⁾	4	18000	6557
30,4	528	3,2	30,55	KXBCM503	100LB	6	22000	8258
29,6	537	3,2	47,28	KXBCM503	90LB ⁽¹⁾	4	22000	8330
29,2	549	1,6	31,80	KXBCM403	100LB	6	18000	6643
28,1	571	3,1	33,07	KXBCM503	100LB	6	22000	8452
27,9	571	3,0	50,24	KXBCM503	90LB ⁽¹⁾	4	22000	8479
27,8	577	1,1	33,43	KXBCM353	100LB	6	12000	4143
27,6	577	1,0	50,81	KXBCM353	90LB ⁽¹⁾	4	12000	4158
27,4	581	1,5	51,19	KXBCM403	90LB ⁽¹⁾	4	18000	6768
27,0	596	1,5	34,49	KXBCM403	100LB	6	18000	6787
26,4	602	2,8	53,02	KXBCM503	90LB ⁽¹⁾	4	22000	8614
25,9	619	2,9	35,87	KXBCM503	100LB	6	22000	8655
25,2	631	1,3	55,52	KXBCM403	90LB ⁽¹⁾	4	18000	6914
24,6	647	0,9	56,93	KXBCM353	90LB ⁽¹⁾	4	12000	4256
24,1	666	0,9	38,58	KXBCM353	100LB	6	12000	4264
23,9	664	2,6	58,50	KXBCM503	90LB ⁽¹⁾	4	22000	8863

⁽¹⁾ Available only with brake motor (TBS)

1,85 kW

n2 [rpm]	M2 [Nm]	fs	i	Gear reducer	Motor Size	Pole	Fr2 D-S-P [N]	Fr2 C [N]
23,5	684	1,3	39,60	KXBCM403	100LB	6	18000	7033
23,4	681	1,2	59,96	KXBCM403	90LB ⁽¹⁾	4	18000	7052
22,6	710	2,5	41,12	KXBCM503	100LB	6	22000	9003
22,0	724	1,2	63,74	KXBCM403	90LB ⁽¹⁾	4	18000	7162
21,7	742	1,2	42,95	KXBCM403	100LB	6	18000	7179
21,6	737	2,3	64,89	KXBCM503	90LB ⁽¹⁾	4	22000	9131
20,8	770	2,3	44,61	KXBCM503	100LB	6	22000	9215
20,5	785	1,1	45,44	KXBCM403	100LB	6	18000	7280
20,4	779	2,2	68,58	KXBCM503	90LB ⁽¹⁾	4	22000	9276
20,2	785	1,1	69,14	KXBCM403	90LB ⁽¹⁾	4	18000	7309
19,7	817	2,2	47,28	KXBCM503	100LB	6	22000	9368
19,2	826	2,1	72,76	KXBCM503	90LB ⁽¹⁾	4	22000	9432
19,1	831	1,0	73,14	KXBCM403	90LB ⁽¹⁾	4	18000	7410
18,7	860	3,9	49,80	KXBCM603	100LB	6	30000	13362
18,5	868	2,1	50,24	KXBCM503	100LB	6	22000	9529
18,2	884	1,0	51,19	KXBCM403	100LB	6	18000	7494
17,7	896	1,9	78,92	KXBCM503	90LB ⁽¹⁾	4	22000	9650
17,5	916	1,9	53,02	KXBCM503	100LB	6	22000	9673
17,5	909	3,9	80,04	KXBCM603	90LB ⁽¹⁾	4	30000	13614
17,3	917	0,9	80,76	KXBCM403	90LB ⁽¹⁾	4	18000	7588
17,1	938	3,6	54,30	KXBCM603	100LB	6	30000	13679
16,7	959	0,9	55,52	KXBCM403	100LB	6	18000	7639
16,7	950	1,9	83,66	KXBCM503	90LB ⁽¹⁾	4	22000	9807
15,9	1010	1,8	58,50	KXBCM503	100LB	6	22000	9939
15,7	1025	3,3	59,36	KXBCM603	100LB	6	30000	14009
15,2	1048	1,7	92,31	KXBCM503	90LB ⁽¹⁾	4	22000	10076
14,9	1081	3,2	62,59	KXBCM603	100LB	6	30000	14207
14,3	1120	1,6	64,89	KXBCM503	100LB	6	22000	10223
13,6	1184	1,5	68,58	KXBCM503	100LB	6	22000	10376
13,4	1199	2,9	69,43	KXBCM603	100LB	6	30000	14596
13,3	1198	1,5	105,44	KXBCM503	90LB ⁽¹⁾	4	22000	10445
13,1	1211	2,9	106,65	KXBCM603	90LB ⁽¹⁾	4	30000	14688
12,8	1256	1,4	72,76	KXBCM503	100LB	6	22000	10540
12,5	1285	2,9	74,42	KXBCM603	100LB	6	30000	14857
12,2	1304	1,4	114,80	KXBCM503	90LB ⁽¹⁾	4	22000	10682
12,1	1332	3,9	77,12	KXBCM703	100LB	6	40000	40000
11,8	1363	1,3	78,92	KXBCM503	100LB	6	22000	10768
11,7	1358	2,6	119,60	KXBCM603	90LB ⁽¹⁾	4	30000	15122
11,6	1368	1,3	120,42	KXBCM503	90LB ⁽¹⁾	4	22000	10817
11,6	1382	2,7	80,04	KXBCM603	100LB	6	30000	15132
11,1	1445	1,3	83,66	KXBCM503	100LB	6	22000	10931
10,9	1477	3,6	85,54	KXBCM703	100LB	6	40000	40000

⁽¹⁾ Available only with brake motor (TBS)

1,85 kW

n2 [rpm]	M2 [Nm]	fs	i	Gear reducer	Motor Size	Pole	Fr2 D-S-P [N]	Fr2 C [N]
10,8	1476	2,4	129,96	KXBCM603	90LB ⁽¹⁾	4	30000	15438
10,5	1509	1,2	132,87	KXBCM503	90LB ⁽¹⁾	4	22000	11095
10,3	1552	2,4	89,87	KXBCM603	100LB	6	30000	15570
10,1	1594	1,2	92,31	KXBCM503	100LB	6	22000	11209
9,9	1625	3,2	94,13	KXBCM703	100LB	6	40000	40000
9,7	1643	1,1	144,69	KXBCM503	90LB ⁽¹⁾	4	22000	11336
9,7	1640	2,1	144,43	KXBCM603	90LB ⁽¹⁾	4	30000	15838
9,3	1722	2,1	99,70	KXBCM603	100LB	6	30000	15960
8,8	1821	1,0	105,44	KXBCM503	100LB	6	22000	11584
8,8	1828	2,9	105,83	KXBCM703	100LB	6	40000	40000
8,7	1820	1,9	160,23	KXBCM603	90LB ⁽¹⁾	4	30000	16229
8,7	1842	2,0	106,65	KXBCM603	100LB	6	30000	16213
8,5	1877	1,0	165,25	KXBCM503	90LB ⁽¹⁾	4	22000	11713
8,3	1933	2,7	111,94	KXBCM703	100LB	6	40000	40000
8,1	1982	1,0	114,80	KXBCM503	100LB	6	22000	11823
7,8	2065	1,8	119,60	KXBCM603	100LB	6	30000	16637
7,8	2049	1,7	180,40	KXBCM603	90LB ⁽¹⁾	4	30000	16671
7,7	2080	0,9	120,42	KXBCM503	100LB	6	22000	11958
7,5	2152	2,4	124,62	KXBCM703	100LB	6	40000	40000
7,2	2244	1,6	129,96	KXBCM603	100LB	6	30000	16940
6,8	2356	2,2	136,44	KXBCM703	100LB	6	40000	40000
6,4	2494	1,5	144,43	KXBCM603	100LB	6	30000	17317
6,2	2583	2,0	149,59	KXBCM703	100LB	6	40000	40000
5,8	2767	1,3	160,23	KXBCM603	100LB	6	30000	17676
5,6	2876	1,8	166,53	KXBCM703	100LB	6	40000	40000
5,2	3115	1,2	180,40	KXBCM603	100LB	6	30000	18069
5,0	3233	1,6	187,24	KXBCM703	100LB	6	40000	40000

2,20 kW

n2 [rpm]	M2 [Nm]	fs	i	Gear reducer	Motor Size	Pole	Fr2 D-S-P [N]	Fr2 C [N]
364,0	53	2,3	7,91	KXACM252	90L	2	-	1548
302,3	64	1,9	9,46	KXACM252	90L	2	-	1647
284,3	68	3,9	10,06	KXACM352	90L	2	4258	2129
250,2	76	3,8	5,71	KXBCM353	100LA/112MR	4	7944	2270
247,1	78	1,5	11,57	KXACM252	90L	2	-	1761
229,9	84	3,1	12,44	KXACM352	90L	2	4571	2285
206,4	92	3,7	6,88	KXBCM353	100LA/112MR	4	8415	2404
196,9	98	1,2	14,63	KXACM252	90L	2	-	1900
193,9	98	3,6	7,32	KXBCM353	100LA/112MR	4	8572	2449
193,2	100	3,2	14,91	KXACM352	90L	2	4843	2422
171,1	117	3,0	8,36	KXACM352	100LA/112MR	4	5043	2522

⁽¹⁾ Available only with brake motor (TBS)

5.1 KXBC/KXAC GEARED MOTORS (50Hz)

2,20 kW

n2 [rpm]	M2 [Nm]	fs	i	Gear reducer	Motor Size	Pole	Fr2 D-S-P [N]	Fr2 C [N]
167,1	115	1,3	17,11	KXACM252	90L	2	-	2006
162,7	117	2,6	5,71	KXBCM353	112M/112MA	6	9019	2577
159,4	121	2,6	17,94	KXACM352	90L	2	5164	2582
155,0	122	3,8	9,16	KXBCM353	100LA/112MR	4	9153	2615
141,2	141	2,5	10,06	KXACM352	100LA/112MR	4	5377	2689
139,8	138	1,1	20,46	KXACM252	90L	2	-	2130
138,4	137	3,8	10,26	KXBCM353	100LA/112MR	4	9457	2702
135,2	141	2,5	6,88	KXBCM353	112M/112MA	6	9514	2718
128,9	149	2,1	22,19	KXACM352	90L	2	5543	2772
128,8	147	3,7	11,03	KXBCM353	100LA/112MR	4	9653	2758
127,7	143	3,1	22,39	KXBCM353	90L	2	9699	2771
127,0	150	2,4	7,32	KXBCM353	112M/112MA	6	9684	2767
119,1	160	3,3	7,81	KXBCM403	112M/112MA	6	15377	4393
114,9	165	3,5	12,35	KXBCM353	100LA/112MR	4	9967	2848
114,1	175	2,0	12,44	KXACM352	100LA/112MR	4	5772	2886
111,3	181	2,0	8,36	KXACM352	112M/112MA	6	5821	2910
109,6	166	2,7	26,09	KXBCM353	90L	2	10127	2894
108,0	175	3,4	13,15	KXBCM353	100LA/112MR	4	10143	2898
107,9	177	3,6	8,62	KXBCM403	112M/112MA	6	15842	4526
107,1	170	3,7	26,71	KXBCM403	90L	2	15910	4546
104,2	185	1,7	27,45	KXACM352	90L	2	5950	2975
102,0	179	2,5	28,03	KXBCM353	90L	2	10332	2952
101,5	188	2,6	9,16	KXBCM353	112M/112MA	6	10309	2945
97,0	188	3,4	29,50	KXBCM403	90L	2	16389	4683
95,3	210	2,0	14,91	KXACM352	100LA/112MR	4	6131	3065
93,6	202	2,9	15,18	KXBCM353	100LA/112MR	4	10550	3014
92,4	218	1,7	10,06	KXACM352	112M/112MA	6	6192	3096
90,6	211	2,6	10,26	KXBCM353	112M/112MA	6	10633	3038
89,9	203	3,1	31,80	KXBCM403	90L	2	16760	4789
88,6	216	3,2	10,49	KXBCM403	112M/112MA	6	16795	4799
86,6	223	1,4	33,04	KXACM352	90L	2	6329	3165
85,6	221	3,8	16,60	KXBCM403	100LA/112MR	4	16979	4851
85,5	213	2,1	33,43	KXBCM353	90L	2	10844	3098
84,3	226	2,5	11,03	KXBCM353	112M/112MA	6	10840	3097
83,5	226	2,7	17,00	KXBCM353	100LA/112MR	4	10878	3108
82,9	220	2,9	34,49	KXBCM403	90L	2	17169	4905
80,3	238	3,3	11,59	KXBCM403	112M/112MA	6	17292	4941
79,1	252	1,7	17,94	KXACM352	100LA/112MR	4	6521	3261
77,5	244	3,5	18,32	KXBCM403	100LA/112MR	4	17480	4994
75,3	254	2,4	12,35	KXBCM353	112M/112MA	6	11170	3191
74,7	270	1,4	12,44	KXACM352	112M/112MA	6	6647	3323
74,1	246	1,8	38,58	KXBCM353	90L	2	11266	3219

2,20 kW

n2 [rpm]	M2 [Nm]	fs	i	Gear reducer	Motor Size	Pole	Fr2 D-S-P [N]	Fr2 C [N]
72,2	253	2,5	39,60	KXBCM403	90L	2	17879	5108
70,7	270	2,3	13,15	KXBCM353	112M/112MA	6	11353	3244
70,0	275	1,1	40,87	KXACM352	90L	2	6794	3397
66,6	274	2,3	42,95	KXBCM403	90L	2	18000	5230
66,2	276	1,6	43,22	KXBCM353	90L	2	11606	3316
65,2	280	1,2	43,89	KXACM353	90L	2	6958	3479
64,5	296	2,9	14,43	KXBCM403	112M/112MA	6	18000	5265
64,0	312	1,3	22,19	KXACM352	100LA/112MR	4	7000	3500
63,4	298	2,0	22,39	KXBCM353	100LA/112MR	4	11686	3339
62,9	290	2,2	45,44	KXBCM403	90L	2	18000	5316
62,4	323	1,4	14,91	KXACM352	112M/112MA	6	7059	3530
62,2	304	2,8	22,82	KXBCM403	100LA/112MR	4	18000	5321
61,3	312	2,0	15,18	KXBCM353	112M/112MA	6	11773	3364
56,9	321	4,0	50,24	KXBCM503	90L ⁽¹⁾	2	22000	6806
56,3	324	1,4	50,81	KXBCM353	90L	2	12000	3455
56,0	341	2,6	16,60	KXBCM403	112M/112MA	6	18000	5478
55,9	327	2,0	51,19	KXBCM403	90L	2	18000	5500
54,7	349	1,8	17,00	KXBCM353	112M/112MA	6	12000	3459
54,4	347	1,7	26,09	KXBCM353	100LA/112MR	4	12000	3468
54,1	337	1,0	52,83	KXACM353	90L	2	7401	3701
53,9	338	3,8	53,02	KXBCM503	90L	2	22000	6918
53,2	356	2,4	26,71	KXBCM403	100LA/112MR	4	18000	5564
51,8	389	1,1	17,94	KXACM352	112M/112MA	6	7509	3755
51,7	386	1,1	27,45	KXACM352	100LA/112MR	4	7514	3757
51,5	354	1,8	55,52	KXBCM403	90L	2	18000	5628
50,8	376	2,4	18,32	KXBCM403	112M/112MA	6	18000	5632
50,7	373	1,6	28,03	KXBCM353	100LA/112MR	4	12000	3529
50,2	363	1,2	56,93	KXBCM353	90L	2	12000	3553
48,9	373	3,4	58,50	KXBCM503	90L	2	22000	7127
48,8	391	3,8	19,06	KXBCM503	112M/112MA	6	22000	7116
48,1	393	2,2	29,50	KXBCM403	100LA/112MR	4	18000	5720
47,7	383	1,7	59,96	KXBCM403	90L	2	18000	5750
46,5	407	3,9	30,55	KXBCM503	100LA	4	22000	7224
44,9	407	1,6	63,74	KXBCM403	90L	2	18000	5849
44,7	423	2,0	31,80	KXBCM403	100LA/112MR	4	18000	5839
44,1	414	3,1	64,89	KXBCM503	90L	2	22000	7352
43,0	464	0,9	33,04	KXACM352	100LA/112MR	4	7993	3997
42,9	440	3,9	33,07	KXBCM503	100LA/112MR	4	22000	7396
42,5	445	1,3	33,43	KXBCM353	100LA/112MR	4	12000	3676
41,9	481	0,9	22,19	KXACM352	112M/112MA	6	8061	4030
41,7	438	2,9	68,58	KXBCM503	90L	2	22000	7474
41,5	460	1,4	22,39	KXBCM353	112M/112MA	6	12000	3689

⁽¹⁾ Available only with brake motor (TBS)

2,20 kW

n2 [rpm]	M2 [Nm]	fs	i	Gear reducer	Motor Size	Pole	Fr2 D-S-P [N]	Fr2 C [N]
41,4	441	1,0	69,16	KXBCM353	90L	2	12000	3719
41,4	441	1,4	69,14	KXBCM403	90L	2	18000	5981
41,2	459	1,9	34,49	KXBCM403	100LA/112MR	4	18000	5970
40,8	469	1,9	22,82	KXBCM403	112M/112MA	6	18000	5981
39,6	478	3,6	35,87	KXBCM503	100LA/112MR	4	22000	7577
39,3	464	2,7	72,76	KXBCM503	90L	2	22000	7606
39,2	487	3,0	23,70	KXBCM503	112M/112MA	6	22000	7592
39,1	467	1,4	73,14	KXBCM403	90L	2	18000	6073
36,8	514	1,2	38,58	KXBCM353	100LA/112MR	4	12000	3793
36,2	504	2,5	78,92	KXBCM503	90L	2	22000	7791
35,9	527	1,6	39,60	KXBCM403	100LA/112MR	4	18000	6195
35,6	536	1,2	26,09	KXBCM353	112M/112MA	6	12000	3812
35,4	515	1,2	80,76	KXBCM403	90L	2	18000	6237
35,1	544	2,9	26,51	KXBCM503	112M/112MA	6	22000	7847
34,8	549	1,6	26,71	KXBCM403	112M/112MA	6	18000	6237
34,5	548	3,1	41,12	KXBCM503	100LA/112MR	4	22000	7887
34,2	534	2,5	83,66	KXBCM503	90L	2	22000	7926
33,2	576	1,1	28,03	KXBCM353	112M/112MA	6	12000	3869
33,1	572	1,5	42,95	KXBCM403	100LA/112MR	4	18000	6328
32,9	576	1,0	43,22	KXBCM353	100LA/112MR	4	12000	3884
31,8	594	2,9	44,61	KXBCM503	100LA/112MR	4	22000	8076
31,5	606	1,5	29,50	KXBCM403	112M/112MA	6	18000	6399
31,3	605	1,4	45,44	KXBCM403	100LA/112MR	4	18000	6421
31,0	588	1,1	92,19	KXBCM403	90L	2	18000	6457
31,0	589	2,3	92,31	KXBCM503	90L	2	22000	8157
30,4	627	2,7	30,55	KXBCM503	112M/112MA	6	22000	8176
30,0	630	2,7	47,28	KXBCM503	100LA/112MR	4	22000	8213
29,2	653	1,4	31,80	KXBCM403	112M/112MA	6	18000	6523
28,7	658	0,9	50,81	KXBCM353	112MR	4	12000	3986
28,6	637	1,0	100,57	KXBCM403	90L	2	18000	6592
28,3	669	2,5	50,24	KXBCM503	100LA/112MR	4	22000	8357
28,1	679	2,6	33,07	KXBCM503	112M/112MA	6	22000	8363
27,8	687	0,9	33,43	KXBCM353	112M/112MA	6	12000	4002
27,7	682	1,2	51,19	KXBCM403	100LA/112MR	4	18000	6618
27,1	673	2,0	105,44	KXBCM503	90L	2	22000	8476
27,0	708	1,3	34,49	KXBCM403	112M/112MA	6	18000	6657
26,8	706	2,4	53,02	KXBCM503	100LA/112MR	4	22000	8486
26,8	680	3,9	106,65	KXBCM603	90L	2	30000	11966
25,9	737	2,4	35,87	KXBCM503	112M/112MA	6	22000	8559
25,6	739	1,1	55,52	KXBCM403	100LA/112MR	4	18000	6752
24,9	732	1,8	114,80	KXBCM503	90L	2	22000	8683
24,3	779	2,2	58,50	KXBCM503	100LA/112MR	4	22000	8725

2,20 kW

n2 [rpm]	M2 [Nm]	fs	i	Gear reducer	Motor Size	Pole	Fr2 D-S-P [N]	Fr2 C [N]
23,9	763	3,4	119,60	KXBCM603	90L	2	30000	12353
23,7	798	1,1	59,96	KXBCM403	100LA/112MR	4	18000	6879
23,7	768	1,8	120,42	KXBCM503	90L	2	22000	8802
23,5	813	1,1	39,60	KXBCM403	112M/112MA	6	18000	6884
22,9	832	3,5	40,53	KXBCM603	112M/112MA	6	30000	12446
22,7	833	4,0	62,59	KXBCM603	100LA	4	30000	12495
22,6	844	2,1	41,12	KXBCM503	112M/112MA	6	22000	8893
22,3	849	1,0	63,74	KXBCM403	100LA/112MR	4	18000	6980
22,0	829	3,2	129,96	KXBCM603	90L	2	30000	12638
21,9	864	2,0	64,89	KXBCM503	100LA/112MR	4	22000	8981
21,7	882	1,0	42,95	KXBCM403	112M/112MA	6	18000	7017
21,5	848	1,6	132,87	KXBCM503	90L	2	22000	9048
20,8	916	1,9	44,61	KXBCM503	112M/112MA	6	22000	9095
20,7	913	1,9	68,58	KXBCM503	100LA/112MR	4	22000	9119
20,7	922	3,4	44,89	KXBCM603	112M/112MA	6	30000	12793
20,5	933	1,0	45,44	KXBCM403	112M/112MA	6	18000	7109
20,5	921	0,9	69,14	KXBCM403	100LA/112MR	4	18000	7114
20,5	925	3,6	69,43	KXBCM603	100LA/112MR	4	30000	12849
19,8	923	1,5	144,69	KXBCM503	90L	2	22000	9264
19,8	921	2,8	144,43	KXBCM603	90L	2	30000	13003
19,7	971	1,8	47,28	KXBCM503	112M/112MA	6	22000	9241
19,5	969	1,8	72,76	KXBCM503	100LA/112MR	4	22000	9268
19,1	991	3,5	74,42	KXBCM603	100LA/112MR	4	30000	13087
18,7	1023	3,3	49,80	KXBCM603	112M/112MA	6	30000	13148
18,5	1032	1,7	50,24	KXBCM503	112M/112MA	6	22000	9394
18,0	1051	1,6	78,92	KXBCM503	100LA/112MR	4	22000	9475
17,8	1022	2,6	160,23	KXBCM603	90L	2	30000	13366
17,7	1066	3,3	80,04	KXBCM603	100LA/112MR	4	30000	13339
17,5	1089	1,6	53,02	KXBCM503	112M/112MA	6	22000	9531
17,3	1054	1,3	165,25	KXBCM503	90L	2	22000	9605
17,1	1115	3,0	54,30	KXBCM603	112M/112MA	6	30000	13446
17,0	1114	1,6	83,66	KXBCM503	100LA/112MR	4	22000	9623
15,9	1201	1,5	58,50	KXBCM503	112M/112MA	6	22000	9782
15,9	1151	2,3	180,40	KXBCM603	90L	2	30000	13784
15,8	1197	2,9	89,87	KXBCM603	100LA/112MR	4	30000	13741
15,7	1219	2,8	59,36	KXBCM603	112M/112MA	6	30000	13755
15,4	1229	1,5	92,31	KXBCM503	100LA/112MR	4	22000	9877
15,1	1253	4,0	94,13	KXBCM703	100LA ⁽¹⁾	4	40000	40000
14,9	1285	2,7	62,59	KXBCM603	112M/112MA	6	30000	13938
14,3	1332	1,3	64,89	KXBCM503	112M/112MA	6	22000	10049
14,3	1332	3,9	64,88	KXBCM703	112MA	6	40000	40000
14,2	1328	2,6	99,70	KXBCM603	100LA/112MR	4	30000	14103

⁽¹⁾ Available only with brake motor (TBS)

2,20 kW

n2 [rpm]	M2 [Nm]	fs	i	Gear reducer	Motor Size	Pole	Fr2 D-S-P [N]	Fr2 C [N]
13,6	1408	1,3	68,58	KXBCM503	112M/112MA	6	22000	10192
13,5	1404	1,3	105,44	KXBCM503	100LA/112MR	4	22000	10222
13,4	1426	2,4	69,43	KXBCM603	112M/112MA	6	30000	14298
13,4	1409	3,5	105,83	KXBCM703	100LA/112MR	4	40000	40000
13,3	1420	2,5	106,65	KXBCM603	100LA/112MR	4	30000	14338
13,2	1446	3,6	70,43	KXBCM703	112M/112MA	6	40000	40000
12,8	1494	1,2	72,76	KXBCM503	112M/112MA	6	22000	10345
12,7	1491	3,4	111,94	KXBCM703	100LA/112MR	4	40000	40000
12,5	1528	2,4	74,42	KXBCM603	112M/112MA	6	30000	14538
12,4	1529	1,2	114,80	KXBCM503	100LA/112MR	4	22000	10443
12,1	1584	3,3	77,12	KXBCM703	112M/112MA	6	40000	40000
11,9	1593	2,2	119,60	KXBCM603	100LA/112MR	4	30000	14736
11,8	1621	1,1	78,92	KXBCM503	112M/112MA	6	22000	10556
11,8	1604	1,1	120,42	KXBCM503	100LA/112MR	4	22000	10567
11,6	1644	2,2	80,04	KXBCM603	112M/112MA	6	30000	14789
11,4	1659	3,0	124,62	KXBCM703	100LA/112MR	4	40000	40000
11,1	1718	1,1	83,66	KXBCM503	112M/112MA	6	22000	10707
10,9	1731	2,0	129,96	KXBCM603	100LA/112MR	4	30000	15022
10,9	1757	3,0	85,54	KXBCM703	112M/112MA	6	40000	40000
10,7	1769	1,0	132,87	KXBCM503	100LA/112MR	4	22000	10823
10,4	1817	2,8	136,44	KXBCM703	100LA/112MR	4	40000	40000
10,3	1845	2,0	89,87	KXBCM603	112M/112MA	6	30000	15184
10,1	1896	1,0	92,31	KXBCM503	112M/112MA	6	22000	10961
9,9	1933	2,7	94,13	KXBCM703	112M/112MA	6	40000	40000
9,8	1927	0,9	144,69	KXBCM503	100LA/112MR	4	22000	11044
9,8	1923	1,8	144,43	KXBCM603	100LA/112MR	4	30000	15382
9,5	1992	2,5	149,59	KXBCM703	100LA/112MR	4	40000	40000
9,3	2047	1,8	99,70	KXBCM603	112M/112MA	6	30000	15533
9,1	2098	0,9	105,44	KXBCM503	112M	6	22000	11220
8,9	2134	1,6	160,23	KXBCM603	100LA/112MR	4	30000	15730
8,8	2173	2,4	105,83	KXBCM703	112M/112MA	6	40000	40000
8,7	2190	1,7	106,65	KXBCM603	112M/112MA	6	30000	15755
8,5	2218	2,3	166,53	KXBCM703	100LA/112MR	4	40000	40000
8,3	2299	2,3	111,94	KXBCM703	112M/112MA	6	40000	40000
7,9	2402	1,5	180,40	KXBCM603	100LA/112MR	4	30000	16117
7,8	2456	1,5	119,60	KXBCM603	112M/112MA	6	30000	16124
7,6	2493	2,0	187,24	KXBCM703	100LA/112MR	4	40000	40000
7,5	2559	2,1	124,62	KXBCM703	112M/112MA	6	40000	40000
7,2	2669	1,4	129,96	KXBCM603	112M/112MA	6	30000	16382
6,8	2802	1,9	136,44	KXBCM703	112M/112MA	6	40000	40000
6,4	2966	1,2	144,43	KXBCM603	112M/112MA	6	30000	16697
6,2	3072	1,7	149,59	KXBCM703	112M/112MA	6	40000	40000

5.1 KXBC/KXAC GEARED MOTORS (50Hz)

2,20 kW

n2 [rpm]	M2 [Nm]	fs	i	Gear reducer	Motor Size	Pole	Fr2 D-S-P [N]	Fr2 C [N]
5,8	3290	1,1	160,23	KXBCM603	112M/112MA	6	30000	16989
5,6	3420	1,5	166,53	KXBCM703	112M/112MA	6	40000	40000
5,2	3705	1,0	180,40	KXBCM603	112M/112MA	6	30000	17295
5,0	3845	1,4	187,24	KXBCM703	112M/112MA	6	40000	40000

3,00 kW

n2 [rpm]	M2 [Nm]	fs	i	Gear reducer	Motor Size	Pole	Fr2 D-S-P [N]	Fr2 C [N]
347,0	76	3,5	8,36	KXACM352	100L/100LA	2	3984	1992
285,3	92	2,9	10,06	KXACM352	100L/100LA	2	4253	2127
248,5	104	2,8	5,71	KXBCM353	100LB/112MS	4	7836	2239
230,7	114	2,3	12,44	KXACM352	100L/100LA	2	4565	2283
218,2	114	3,9	13,15	KXBCM353	100L/100LA	2	8153	2329
206,4	125	2,7	6,88	KXBCM353	100LB/112MS	4	8264	2361
193,9	133	2,6	7,32	KXBCM353	100LB/112MS	4	8412	2403
192,5	136	2,3	14,91	KXACM352	100L/100LA	2	4849	2424
189,1	132	3,4	15,18	KXBCM353	100L/100LA	2	8493	2427
181,8	142	3,5	7,81	KXBCM403	100LB/112MS	4	13363	3818
169,9	160	2,2	8,36	KXACM352	100LB/112MS	4	5055	2528
168,8	147	3,1	17,00	KXBCM353	100L/100LA	2	8769	2505
164,7	157	3,8	8,62	KXBCM403	100LB/112MS	4	13767	3933
162,7	160	1,9	5,71	KXBCM353	112MB	6	8827	2522
160,0	164	1,9	17,94	KXACM352	100L/100LA	2	5158	2579
155,0	166	2,8	9,16	KXBCM353	100LB/112MS	4	8953	2558
141,2	193	1,8	10,06	KXACM352	100LB/112MS	4	5377	2689
138,4	186	2,8	10,26	KXBCM353	100LB/112MS	4	9233	2638
135,3	191	3,4	10,49	KXBCM403	100LB/112MS	4	14593	4170
135,2	193	1,9	6,88	KXBCM353	112MB	6	9282	2652
129,3	203	1,6	22,19	KXACM352	100L/100LA	2	5537	2768
128,8	200	2,7	11,03	KXBCM353	100LB/112MS	4	9412	2689
128,2	194	2,3	22,39	KXBCM353	100L/100LA	2	9455	2702
127,0	205	1,8	7,32	KXBCM353	112MB	6	9437	2696
125,8	198	3,2	22,82	KXBCM403	100L/100LA	2	14939	4268
122,5	210	3,6	11,59	KXBCM403	100LB/112MS	4	15024	4293
119,1	219	2,4	7,81	KXBCM403	112MB/132S/132SA	6	15141	4326
114,9	224	2,6	12,35	KXBCM353	100LB/112MS	4	9697	2771
114,4	228	3,7	8,13	KXBCM503	112MB/132S/132SA	6	18995	5427
114,1	238	1,5	12,44	KXACM352	100LB/112MS	4	5772	2886
111,3	247	1,5	8,36	KXACM352	112MB	6	5821	2910
110,0	226	2,0	26,09	KXBCM353	100L/100LA	2	9845	2813
108,0	239	2,5	13,15	KXBCM353	100LB/112MS	4	9855	2816
107,9	241	2,6	8,62	KXBCM403	112MB/132S/132SA	6	15582	4452

5.1 KXBC/KXAC GEARED MOTORS (50Hz)

3,00 kW

n ₂ [rpm]	M ₂ [Nm]	f _s	i	Gear reducer	Motor		Fr ₂ D-S-P [N]	Fr ₂ C [N]
					Size	Pole		
107,4	232	2,8	26,71	KXBCM403	100L/100LA	2	15643	4469
104,6	251	1,3	27,45	KXACM352	100L/100LA	2	5943	2972
103,7	251	3,8	8,97	KXBCM503	112MB/132S/132SA	6	19576	5593
102,4	243	1,9	28,03	KXBCM353	100L/100LA	2	10030	2866
101,5	257	1,9	9,16	KXBCM353	112MB	6	10000	2857
98,4	262	3,1	14,43	KXBCM403	100LB/112MS	4	16007	4573
97,3	256	2,5	29,50	KXBCM403	100L/100LA	2	16096	4599
95,3	286	1,5	14,91	KXACM352	100LB/112MS	4	6131	3065
93,6	276	2,1	15,18	KXBCM353	100LB/112MS	4	10218	2919
92,4	297	1,2	10,06	KXACM352	112MB	6	6192	3096
90,6	287	1,9	10,26	KXBCM353	112MB	6	10287	2939
90,3	276	2,3	31,80	KXBCM403	100L/100LA	2	16446	4699
88,6	294	2,3	10,49	KXBCM403	112MB/132S/132SA	6	16478	4708
86,9	302	1,0	33,04	KXACM352	100L/100LA	2	6322	3161
85,8	290	1,6	33,43	KXBCM353	100L/100LA	2	10484	2996
85,6	301	2,8	16,60	KXBCM403	100LB/112MS	4	16654	4758
85,2	306	3,4	10,92	KXBCM503	112MB/132S/132SA	6	20783	5938
84,3	309	1,8	11,03	KXBCM353	112MB	6	10468	2991
83,5	309	1,9	17,00	KXBCM353	100LB/112MS	4	10507	3002
83,2	299	2,1	34,49	KXBCM403	100L/100LA	2	16829	4808
80,3	324	2,4	11,59	KXBCM403	112MB/132S/132SA	6	16942	4841
79,1	344	1,2	17,94	KXACM352	100LB/112MS	4	6521	3261
77,5	333	2,6	18,32	KXBCM403	100LB/112MS	4	17121	4892
77,2	337	3,1	12,05	KXBCM503	112MB/132S/132SA	6	21407	6116
75,3	346	1,8	12,35	KXBCM353	112MB	6	10754	3073
74,7	368	1,0	12,44	KXACM352	112MB	6	6647	3323
74,4	334	1,3	38,58	KXBCM353	100L/100LA	2	10854	3101
72,5	343	1,9	39,60	KXBCM403	100L/100LA	2	17490	4997
70,7	368	1,7	13,15	KXBCM353	112MB	6	10910	3117
69,8	357	3,6	41,12	KXBCM503	100L/100LA	2	22000	6316
66,8	372	1,7	42,95	KXBCM403	100L/100LA	2	17886	5110
66,4	375	1,2	43,22	KXBCM353	100L/100LA	2	11144	3184
64,5	404	2,1	14,43	KXBCM403	112MB/132S/132SA	6	17990	5140
64,3	387	3,3	44,61	KXBCM503	100L/100LA	2	22000	6471
64,0	425	1,0	22,19	KXACM352	100LB/112MS	4	7000	3500
63,4	407	1,5	22,39	KXBCM353	100LB/112MS	4	11197	3199
63,2	394	1,6	45,44	KXBCM403	100L/100LA	2	18000	5189
62,4	441	1,0	14,91	KXACM352	112MB	6	7059	3530
62,2	414	2,1	22,82	KXBCM403	100LB/112MS	4	18000	5193
62,1	420	3,0	14,99	KXBCM503	112MB/132S/132SA	6	22000	6526
61,3	425	1,5	15,18	KXBCM353	112MB	6	11262	3218
60,7	410	3,1	47,28	KXBCM503	100L/100LA	2	22000	6584

5.1 KXBC/KXAC GEARED MOTORS (50Hz)

3,00 kW

n2 [rpm]	M2 [Nm]	fs	i	Gear reducer	Motor Size	Pole	Fr2 D-S-P [N]	Fr2 C [N]
59,9	430	3,3	23,70	KXBCM503	100LB/112MS	4	22000	6597
57,1	436	2,9	50,24	KXBCM503	100L/100LA	2	22000	6703
56,5	441	1,0	50,81	KXBCM353	100L/100LA	2	11551	3300
56,1	444	1,4	51,19	KXBCM403	100L/100LA	2	18000	5358
56,0	465	1,9	16,60	KXBCM403	112MB/132S/132SA	6	18000	5335
54,7	476	1,3	17,00	KXBCM353	112MB	6	11535	3296
54,4	474	1,3	26,09	KXBCM353	100LB/112MS	4	11568	3305
54,1	460	2,8	53,02	KXBCM503	100L/100LA	2	22000	6810
53,9	484	3,0	17,27	KXBCM503	112MB/132S/132SA	6	22000	6802
53,6	481	3,1	26,51	KXBCM503	100LB/112MS	4	22000	6817
53,2	485	1,8	26,71	KXBCM403	100LB/112MS	4	18000	5415
51,7	481	1,3	55,52	KXBCM403	100L/100LA	2	18000	5474
50,8	513	1,7	18,32	KXBCM403	112MB/132S/132SA	6	18000	5474
50,7	509	1,2	28,03	KXBCM353	100LB/112MS	4	11738	3354
49,1	507	2,5	58,50	KXBCM503	100L/100LA	2	22000	7008
48,8	534	2,8	19,06	KXBCM503	112MB/132S/132SA	6	22000	6999
48,1	536	1,6	29,50	KXBCM403	100LB/112MS	4	18000	5555
47,9	520	1,2	59,96	KXBCM403	100L/100LA	2	18000	5585
46,5	555	2,9	30,55	KXBCM503	100LB/112MS	4	22000	7103
45,0	553	1,2	63,74	KXBCM403	100L/100LA	2	18000	5673
44,7	577	1,5	31,80	KXBCM403	100LB/112MS	4	18000	5661
44,2	563	2,3	64,89	KXBCM503	100L/100LA	2	22000	7221
42,9	600	2,8	33,07	KXBCM503	100LB/112MS	4	22000	7265
42,5	607	1,0	33,43	KXBCM353	100LB/112MS	4	12000	3467
41,9	595	2,1	68,58	KXBCM503	100L/100LA	2	22000	7336
41,5	627	1,0	22,39	KXBCM353	112MB	6	12000	3473
41,5	599	1,1	69,14	KXBCM403	100L/100LA	2	18000	5791
41,2	626	1,4	34,49	KXBCM403	100LB/112MS	4	18000	5777
40,8	639	1,4	22,82	KXBCM403	112MB/132S/132SA	6	18000	5784
39,6	651	2,6	35,87	KXBCM503	100LB/112MS	4	22000	7434
39,4	631	2,0	72,76	KXBCM503	100L/100LA	2	22000	7460
39,2	634	1,0	73,14	KXBCM403	100L/100LA	2	18000	5872
39,2	664	2,2	23,70	KXBCM503	112MB/132S/132SA	6	22000	7447
36,4	684	1,9	78,92	KXBCM503	100L/100LA	2	22000	7634
35,9	719	1,2	39,60	KXBCM403	100LB/112MS	4	18000	5973
35,9	694	3,8	80,04	KXBCM603	100L/100LA	2	30000	10773
35,1	742	2,1	26,51	KXBCM503	112MB/132S/132SA	6	22000	7684
35,0	736	3,8	40,53	KXBCM603	100LB/112MS	4	30000	10808
34,9	746	3,9	27,51	KXBCM603	132S/132SA	6	30000	10809
34,8	748	1,2	26,71	KXBCM403	112MB/132S/132SA	6	18000	6006
34,5	747	2,3	41,12	KXBCM503	100LB/112MS	4	22000	7723
34,3	725	1,9	83,66	KXBCM503	100L/100LA	2	22000	7759

5.1 KXBC/KXAC GEARED MOTORS (50Hz)

3,00 kW

n2 [rpm]	M2 [Nm]	fs	i	Gear reducer	Motor Size	Pole	Fr2 D-S-P [N]	Fr2 C [N]
33,1	780	1,1	42,95	KXBCM403	100LB/112MS	4	18000	6088
31,9	779	3,4	89,87	KXBCM603	100L/100LA	2	30000	11116
31,8	810	2,1	44,61	KXBCM503	100LB/112MS	4	22000	7898
31,6	815	3,7	44,89	KXBCM603	100LB/112MS	4	30000	11107
31,5	826	1,1	29,50	KXBCM403	112MB/132S/132SA	6	18000	6145
31,3	825	1,0	45,44	KXBCM403	100LB/112MS	4	18000	6166
31,2	835	3,5	30,79	KXBCM603	132S/132SA	6	30000	11139
31,1	800	1,7	92,31	KXBCM503	100L/100LA	2	22000	7973
30,4	856	2,0	30,55	KXBCM503	112MB/132S/132SA	6	22000	7988
30,0	859	2,0	47,28	KXBCM503	100LB/112MS	4	22000	8025
29,7	875	3,4	31,26	KXBCM603	112MB/132S/132SA	6	30000	11278
29,2	890	1,0	31,80	KXBCM403	112MB/132S/132SA	6	18000	6248
28,8	864	3,0	99,70	KXBCM603	100L/100LA	2	30000	11427
28,5	904	3,5	49,80	KXBCM603	100LB/112MS	4	30000	11415
28,3	912	1,9	50,24	KXBCM503	100LB/112MS	4	22000	8157
28,1	926	1,9	33,07	KXBCM503	112MB/132S/132SA	6	22000	8160
27,7	929	0,9	51,19	KXBCM403	100LB/112MS	4	18000	6331
27,2	914	1,5	105,44	KXBCM503	100L/100LA	2	22000	8267
27,0	966	0,9	34,49	KXBCM403	112MB/132S/132SA	6	18000	6359
26,9	925	2,8	106,65	KXBCM603	100L/100LA	2	30000	11631
26,8	963	1,8	53,02	KXBCM503	100LB/112MS	4	22000	8275
26,8	971	3,0	34,68	KXBCM603	112MB/132S/132SA	6	30000	11585
26,2	986	3,2	54,30	KXBCM603	100LB/112MS	4	30000	11672
25,9	1004	1,8	35,87	KXBCM503	112MB/132S/132SA	6	22000	8339
25,6	970	3,9	111,94	KXBCM703	100L/100LA	2	39701	39701
25,0	995	1,4	114,80	KXBCM503	100L/100LA	2	22000	8457
24,3	1062	1,6	58,50	KXBCM503	100LB/112MS	4	22000	8493
24,0	1037	2,5	119,60	KXBCM603	100L/100LA	2	30000	11978
23,9	1078	3,0	59,36	KXBCM603	100LB/112MS	4	30000	11938
23,8	1044	1,3	120,42	KXBCM503	100L/100LA	2	22000	8564
23,0	1080	3,5	124,62	KXBCM703	100L/100LA	2	40000	40000
22,9	1135	2,6	40,53	KXBCM603	112MB/132S/132SA	6	30000	12048
22,7	1136	2,9	62,59	KXBCM603	100LB/112MS	4	30000	12097
22,6	1152	1,6	41,12	KXBCM503	112MB/132S/132SA	6	22000	8640
22,1	1127	2,3	129,96	KXBCM603	100L/100LA	2	30000	12231
21,9	1178	1,4	64,89	KXBCM503	100LB/112MS	4	22000	8723
21,6	1152	1,2	132,87	KXBCM503	100L/100LA	2	22000	8787
21,0	1183	3,2	136,44	KXBCM703	100L/100LA	2	40000	40000
20,8	1249	1,4	44,61	KXBCM503	112MB/132S/132SA	6	22000	8821
20,7	1245	1,4	68,58	KXBCM503	100LB/112MS	4	22000	8846
20,7	1257	2,5	44,89	KXBCM603	112MB/132S/132SA	6	30000	12352
20,5	1261	2,6	69,43	KXBCM603	100LB/112MS	4	30000	12407

5.1 KXBC/KXAC GEARED MOTORS (50Hz)

3,00 kW

n ₂ [rpm]	M ₂ [Nm]	f _s	i	Gear reducer	Motor		Fr ₂ D-S-P [N]	Fr ₂ C [N]
					Size	Pole		
20,2	1279	3,9	70,43	KXBCM703	100LB/112MS	4	40000	40000
19,9	1252	2,1	144,43	KXBCM603	100L/100LA	2	30000	12553
19,8	1254	1,1	144,69	KXBCM503	100L/100LA	2	22000	8980
19,7	1324	1,3	47,28	KXBCM503	112MB/132S/132SA	6	22000	8951
19,5	1321	1,3	72,76	KXBCM503	100LB/112MS	4	22000	8979
19,2	1354	3,9	48,35	KXBCM703	112MB	6	40000	40000
19,2	1297	2,9	149,59	KXBCM703	100L/100LA	2	40000	40000
19,1	1351	2,6	74,42	KXBCM603	100LB/112MS	4	30000	12614
18,7	1395	2,4	49,80	KXBCM603	112MB/132S/132SA	6	30000	12660
18,5	1407	1,3	50,24	KXBCM503	112MB/132S/132SA	6	22000	9086
18,4	1400	3,6	77,12	KXBCM703	100LB/112MS	4	40000	40000
18,0	1433	1,2	78,92	KXBCM503	100LB/112MS	4	22000	9161
17,9	1389	1,9	160,23	KXBCM603	100L/100LA	2	30000	12867
17,7	1453	2,4	80,04	KXBCM603	100LB/112MS	4	30000	12830
17,5	1485	1,2	53,02	KXBCM503	112MB/132S/132SA	6	22000	9205
17,5	1489	3,5	53,16	KXBCM703	112MB/132S/132SA	6	40000	40000
17,2	1444	2,6	166,53	KXBCM703	100L/100LA	2	40000	40000
17,1	1521	2,2	54,30	KXBCM603	112MB/132S/132SA	6	30000	12914
17,0	1519	1,2	83,66	KXBCM503	100LB/112MS	4	22000	9291
17,0	1530	3,4	54,63	KXBCM703	112MB/132S/132SA	6	40000	40000
16,6	1553	3,2	85,54	KXBCM703	100LB/112MS	4	40000	40000
15,9	1638	1,1	58,50	KXBCM503	112MB/132S/132SA	6	22000	9423
15,9	1564	1,7	180,40	KXBCM603	100L/100LA	2	30000	13224
15,8	1632	2,1	89,87	KXBCM603	100LB/112MS	4	30000	13169
15,8	1653	3,2	59,02	KXBCM703	112MB/132S/132SA	6	40000	40000
15,7	1662	2,0	59,36	KXBCM603	112MB/132S/132SA	6	30000	13172
15,4	1676	1,1	92,31	KXBCM503	100LB/112MS	4	22000	9509
15,3	1623	2,3	187,24	KXBCM703	100L/100LA	2	40000	40000
15,1	1709	2,9	94,13	KXBCM703	100LB/112MS	4	40000	40000
14,9	1753	2,0	62,59	KXBCM603	112MB/132S/132SA	6	30000	13324
14,3	1817	1,0	64,89	KXBCM503	112MB/132S/132SA	6	22000	9651
14,3	1817	2,9	64,88	KXBCM703	112MB/132S/132SA	6	40000	40000
14,2	1810	1,9	99,70	KXBCM603	100LB/112MS	4	30000	13469
13,6	1920	0,9	68,58	KXBCM503	112MB/132S/132SA	6	22000	9771
13,5	1915	0,9	105,44	KXBCM503	100LB/112MS	4	22000	9802
13,4	1944	1,8	69,43	KXBCM603	112MB/132S/132SA	6	30000	13617
13,4	1922	2,6	105,83	KXBCM703	100LB/112MS	4	40000	40000
13,3	1937	1,8	106,65	KXBCM603	100LB/112MS	4	30000	13659
13,2	1974	0,9	72,76	KXBCM503	132S/132SA	6	22000	9830
13,2	1972	2,7	70,43	KXBCM703	112MB/132S/132SA	6	40000	40000
12,7	2033	2,5	111,94	KXBCM703	100LB/112MS	4	40000	40000
12,5	2084	1,8	74,42	KXBCM603	112MB/132S/132SA	6	30000	13808

5.1 KXBC/KXAC GEARED MOTORS (50Hz)

3,00 kW

n2 [rpm]	M2 [Nm]	fs	i	Gear reducer	Motor Size	Pole	Fr2 D-S-P [N]	Fr2 C [N]
12,1	2160	2,4	77,12	KXBCM703	112MB/132S/132SA	6	40000	40000
11,9	2172	1,6	119,60	KXBCM603	100LB/112MS	4	30000	13975
11,6	2241	1,6	80,04	KXBCM603	112MB/132S/132SA	6	30000	14004
11,4	2263	2,2	124,62	KXBCM703	100LB/112MS	4	40000	40000
11,4	2276	3,7	83,89	KXBCM903	132S/132SA	6	65000	65000
11,0	2378	3,5	87,65	KXBCM903	132S/132SA	6	65000	65000
10,9	2360	1,5	129,96	KXBCM603	100LB/112MS	4	30000	14196
10,9	2396	2,2	85,54	KXBCM703	112MB/132S/132SA	6	40000	40000
10,4	2478	2,0	136,44	KXBCM703	100LB/112MS	4	40000	40000
10,3	2517	1,5	89,87	KXBCM603	112MB/132S/132SA	6	30000	14303
10,3	2524	3,3	93,05	KXBCM903	132S/132SA	6	65000	65000
9,9	2636	2,0	94,13	KXBCM703	112MB/132S/132SA	6	40000	40000
9,8	2623	1,3	144,43	KXBCM603	100LB/112MS	4	30000	14464
9,5	2716	1,8	149,59	KXBCM703	100LB/112MS	4	40000	40000
9,3	2792	1,3	99,70	KXBCM603	112MB/132S/132SA	6	30000	14555
9,3	2797	3,0	103,12	KXBCM903	132S/132SA	6	65000	65000
8,9	2909	1,2	160,23	KXBCM603	100LB/112MS	4	30000	14711
8,8	2964	1,8	105,83	KXBCM703	112MB/132S/132SA	6	40000	40000
8,7	2987	1,2	106,65	KXBCM603	112MB/132S/132SA	6	30000	14709
8,5	3024	1,7	166,53	KXBCM703	100LB/112MS	4	40000	40000
8,3	3135	1,7	111,94	KXBCM703	112MB/132S/132SA	6	40000	40000
7,9	3276	1,1	180,40	KXBCM603	100LB/112MS	4	30000	14970
7,8	3349	1,1	119,60	KXBCM603	112MB/132S/132SA	6	30000	14951
7,7	3361	2,5	123,88	KXBCM903	132S/132SA	6	65000	65000
7,6	3400	1,5	187,24	KXBCM703	100LB/112MS	4	40000	40000
7,5	3490	1,5	124,62	KXBCM703	112MB/132S/132SA	6	40000	40000
7,2	3639	1,0	129,96	KXBCM603	112MB/132S/132SA	6	30000	15108
7,2	3642	2,3	134,27	KXBCM903	132S/132SA	6	65000	65000
6,8	3821	1,4	136,44	KXBCM703	112MB/132S/132SA	6	40000	40000
6,4	4044	0,9	144,43	KXBCM603	112MB/132S/132SA	6	30000	15281
6,4	4049	2,1	149,26	KXBCM903	132S/132SA	6	65000	65000
6,2	4189	1,3	149,59	KXBCM703	112MB/132S/132SA	6	40000	40000
5,8	4487	1,9	165,42	KXBCM903	132S/132SA	6	65000	65000
5,6	4663	1,1	166,53	KXBCM703	112MB/132S/132SA	6	40000	40000
5,0	5243	1,0	187,24	KXBCM703	112MB/132S/132SA	6	40000	40000

4,00 kW

n2 [rpm]	M2 [Nm]	fs	i	Gear reducer	Motor Size	Pole	Fr2 D-S-P [N]	Fr2 C [N]
502,2	66	3,3	5,71	KXBCM353	100LB/112M/112MA	2	6285	1796
417,2	80	3,2	6,88	KXBCM353	100LB/112M/112MA	2	6640	1897
391,9	85	3,1	7,32	KXBCM353	100LB/112M/112MA	2	6763	1932

4,00 kW

n2 [rpm]	M2 [Nm]	fs	i	Gear reducer	Motor Size	Pole	Fr2 D-S-P [N]	Fr2 C [N]
343,4	102	2,6	8,36	KXACM352	100LB/112M/112MA	2	3998	1999
313,3	106	3,3	9,16	KXBCM353	100LB/112M/112MA	2	7215	2061
285,3	123	2,1	10,06	KXACM352	100LB/112M/112MA	2	4253	2127
279,6	119	3,3	10,26	KXBCM353	100LB/112M/112MA	2	7451	2129
260,3	127	3,2	11,03	KXBCM353	100LB/112M/112MA	2	7603	2172
253,7	136	2,1	5,71	KXBCM353	112M/112MA	4	7635	2182
232,3	143	3,0	12,35	KXBCM353	100LB/112M/112MA	2	7846	2242
230,7	152	1,7	12,44	KXACM352	100LB/112M/112MA	2	4565	2283
218,2	152	2,9	13,15	KXBCM353	100LB/112M/112MA	2	7981	2280
209,3	164	2,1	6,88	KXBCM353	112M/112MA	4	8046	2299
198,9	167	3,6	14,43	KXBCM403	100LB/112M/112MA	2	12856	3673
196,6	175	2,0	7,32	KXBCM353	112M/112MA	4	8182	2338
192,5	182	1,7	14,91	KXACM352	100LB/112M/112MA	2	4849	2424
189,1	175	2,5	15,18	KXBCM353	100LB/112M/112MA	2	8295	2370
184,4	186	2,7	7,81	KXBCM403	112M/112MA	4	13119	3748
172,9	192	3,3	16,60	KXBCM403	100LB/112M/112MA	2	13393	3827
172,3	211	1,7	8,36	KXACM352	112M/112MA	4	5032	2516
168,8	197	2,3	17,00	KXBCM353	100LB/112M/112MA	2	8547	2442
167,0	206	2,9	8,62	KXBCM403	112M/112MA	4	13501	3857
160,0	219	1,4	17,94	KXACM352	100LB/112M/112MA	2	5158	2579
157,2	219	2,1	9,16	KXBCM353	112M/112MA	4	8671	2478
156,6	212	3,0	18,32	KXBCM403	100LB/112M/112MA	2	13783	3938
143,1	254	1,4	10,06	KXACM352	112M/112MA	4	5352	2676
140,3	245	2,1	10,26	KXBCM353	112M/112MA	4	8922	2549
137,2	251	2,6	10,49	KXBCM403	112M/112MA	4	14280	4080
131,9	261	3,8	10,92	KXBCM503	112M/112MA	4	18002	5143
130,6	263	2,1	11,03	KXBCM353	112M/112MA	4	9080	2594
129,3	271	1,2	22,19	KXACM352	100LB/112M/112MA	2	5537	2768
128,2	259	1,7	22,39	KXBCM353	100LB/112M/112MA	2	9163	2618
125,8	264	2,4	22,82	KXBCM403	100LB/112M/112MA	2	14672	4192
124,3	277	2,7	11,59	KXBCM403	112M/112MA	4	14683	4195
122,9	282	1,9	7,81	KXBCM403	132MA	6	14716	4205
121,1	274	3,8	23,70	KXBCM503	100LB/112M/112MA	2	18498	5285
119,5	288	3,5	12,05	KXBCM503	112M/112MA	4	18543	5298
118,1	294	2,9	8,13	KXBCM503	132MA	6	18600	5314
116,6	295	2,0	12,35	KXBCM353	112M/112MA	4	9329	2666
115,7	314	1,1	12,44	KXACM352	112M/112MA	4	5745	2873
111,3	312	2,0	8,62	KXBCM403	132MA	6	15124	4321
110,0	302	1,5	26,09	KXBCM353	100LB/112M/112MA	2	9505	2716
109,5	314	1,9	13,15	KXBCM353	112M/112MA	4	9466	2704
108,2	306	3,7	26,51	KXBCM503	100LB/112M/112MA	2	19132	5466
107,4	309	2,1	26,71	KXBCM403	100LB/112M/112MA	2	15331	4380

4,00 kW

n2 [rpm]	M2 [Nm]	fs	i	Gear reducer	Motor Size	Pole	Fr2 D-S-P [N]	Fr2 C [N]
107,1	324	2,9	8,97	KXBCM503	132MA	6	19154	5473
102,4	324	1,4	28,03	KXBCM353	100LB/112M/112MA	2	9664	2761
99,8	344	2,4	14,43	KXBCM403	112M/112MA	4	15595	4456
97,3	341	1,9	29,50	KXBCM403	100LB/112M/112MA	2	15752	4500
96,6	376	1,1	14,91	KXACM352	112M/112MA	4	6102	3051
96,1	358	3,4	14,99	KXBCM503	112M/112MA	4	19787	5653
94,9	362	1,6	15,18	KXBCM353	112M/112MA	4	9774	2793
93,9	353	3,4	30,55	KXBCM503	100LB/112M/112MA	2	19957	5702
91,5	380	1,8	10,49	KXBCM403	132MA	6	15948	4556
90,3	368	1,7	31,80	KXBCM403	100LB/112M/112MA	2	16074	4593
87,9	395	2,7	10,92	KXBCM503	132MA	6	20301	5800
86,8	396	2,1	16,60	KXBCM403	112M/112MA	4	16188	4625
86,8	382	3,3	33,07	KXBCM503	100LB/112M/112MA	2	20428	5836
85,8	386	1,2	33,43	KXBCM353	100LB/112M/112MA	2	10048	2871
84,7	406	1,5	17,00	KXBCM353	112M/112MA	4	10013	2861
83,4	412	3,4	17,27	KXBCM503	112M/112MA	4	20628	5894
83,2	399	1,6	34,49	KXBCM403	100LB/112M/112MA	2	16426	4693
82,9	419	1,9	11,59	KXBCM403	132MA	6	16369	4677
80,3	452	0,9	17,94	KXACM352	112M/112MA	4	6491	3246
80,0	415	3,1	35,87	KXBCM503	100LB/112M/112MA	2	20920	5977
79,7	436	2,4	12,05	KXBCM503	132MA	6	20891	5969
78,6	437	1,9	18,32	KXBCM403	112M/112MA	4	16612	4746
75,6	455	3,1	19,06	KXBCM503	112M/112MA	4	21225	6064
74,4	446	1,0	38,58	KXBCM353	100LB/112M/112MA	2	10350	2957
72,5	458	1,4	39,60	KXBCM403	100LB/112M/112MA	2	17027	4865
69,8	475	2,7	41,12	KXBCM503	100LB/112M/112MA	2	21766	6219
66,8	497	1,3	42,95	KXBCM403	100LB/112M/112MA	2	17384	4967
66,5	522	1,6	14,43	KXBCM403	132MA	6	17309	4945
64,3	535	1,1	22,39	KXBCM353	112M/112MA	4	10559	3017
64,3	516	2,5	44,61	KXBCM503	100LB/112M/112MA	2	22000	6366
64,1	542	2,3	14,99	KXBCM503	132MA	6	22000	6354
63,2	525	1,2	45,44	KXBCM403	100LB/112M/112MA	2	17631	5038
63,1	545	1,6	22,82	KXBCM403	112M/112MA	4	17558	5017
62,4	556	4,0	15,38	KXBCM603	132MA	6	30000	9001
60,8	566	2,5	23,70	KXBCM503	112M/112MA	4	22000	6454
60,7	547	2,3	47,28	KXBCM503	100LB/112M/112MA	2	22000	6472
57,8	600	1,5	16,60	KXBCM403	132MA	6	17909	5117
57,1	581	2,2	50,24	KXBCM503	100LB/112M/112MA	2	22000	6584
56,1	592	1,1	51,19	KXBCM403	100LB/112M/112MA	2	18000	5187
55,6	625	2,4	17,27	KXBCM503	132MA	6	22000	6612
55,2	623	1,0	26,09	KXBCM353	112M/112MA	4	10832	3095
54,3	633	2,4	26,51	KXBCM503	112M/112MA	4	22000	6659

5.1 KXBC/KXAC GEARED MOTORS (50Hz)

4,00 kW

n2 [rpm]	M2 [Nm]	fs	i	Gear reducer	Motor Size	Pole	Fr2 D-S-P [N]	Fr2 C [N]
54,1	613	2,1	53,02	KXBCM503	100LB/112M/112MA	2	22000	6684
53,9	638	1,3	26,71	KXBCM403	112M/112MA	4	18000	5211
52,9	628	3,8	54,30	KXBCM603	100LB/112M/112MA	2	30000	9456
52,4	663	1,3	18,32	KXBCM403	132MA	6	18000	5238
52,2	635	1,0	55,52	KXBCM403	112M/112MA	2	18000	5276
51,7	665	0,9	28,03	KXBCM353	112M	4	10939	3125
51,7	672	3,4	18,58	KXBCM603	132MA	6	30000	9474
50,4	689	2,1	19,06	KXBCM503	132MA	6	22000	6794
49,1	676	1,9	58,50	KXBCM503	100LB/112M/112MA	2	22000	6869
48,8	704	1,2	29,50	KXBCM403	112M/112MA	4	18000	5331
48,4	686	3,5	59,36	KXBCM603	100LB/112M/112MA	2	30000	9685
47,1	729	2,2	30,55	KXBCM503	112M/112MA	4	22000	6924
46,6	745	3,5	20,61	KXBCM603	132MA	6	30000	9739
46,1	746	3,8	31,26	KXBCM603	112M/112MA	4	30000	9777
45,9	723	3,4	62,59	KXBCM603	100LB/112M/112MA	2	30000	9823
45,3	759	1,1	31,80	KXBCM403	112M/112MA	4	18000	5422
44,2	750	1,7	64,89	KXBCM503	100LB/112M/112MA	2	22000	7067
43,5	789	2,2	33,07	KXBCM503	112M/112MA	4	22000	7074
42,1	825	1,1	22,82	KXBCM403	132MA	6	18000	5501
42,1	824	3,6	22,78	KXBCM603	132MA	6	30000	9996
41,9	793	1,6	68,58	KXBCM503	100LB/112M/112MA	2	22000	7173
41,7	823	1,0	34,49	KXBCM403	112M/112MA	4	18000	5519
41,5	828	3,4	34,68	KXBCM603	112M/112MA	4	30000	10045
41,3	803	3,1	69,43	KXBCM603	100LB/112M/112MA	2	30000	10095
40,5	857	1,7	23,70	KXBCM503	132MA	6	22000	7205
40,1	856	2,0	35,87	KXBCM503	112M/112MA	4	22000	7229
39,4	841	1,5	72,76	KXBCM503	100LB/112M/112MA	2	22000	7288
38,6	860	3,1	74,42	KXBCM603	100LB/112M/112MA	2	30000	10277
37,1	936	3,1	25,89	KXBCM603	132MA	6	30000	10326
36,6	939	0,9	39,60	KXBCM403	112M	4	18000	5672
36,4	912	1,4	78,92	KXBCM503	100LB/112M/112MA	2	22000	7446
36,2	959	1,6	26,51	KXBCM503	132MA	6	22000	7420
35,9	966	0,9	26,71	KXBCM403	132MA	6	18000	5682
35,9	925	2,8	80,04	KXBCM603	100LB/112M/112MA	2	30000	10469
35,5	968	2,9	40,53	KXBCM603	112M/112MA	4	30000	10449
35,0	982	1,7	41,12	KXBCM503	112M/112MA	4	22000	7492
34,9	995	3,0	27,51	KXBCM603	132MA	6	30000	10483
34,3	967	1,4	83,66	KXBCM503	100LB/112M/112MA	2	22000	7560
33,5	989	3,8	85,54	KXBCM703	100LB/112M/112MA	2	36008	36008
32,3	1065	1,6	44,61	KXBCM503	112M/112MA	4	22000	7649
32,1	1072	2,8	44,89	KXBCM603	112M/112MA	4	30000	10714
31,9	1039	2,5	89,87	KXBCM603	100LB/112M/112MA	2	30000	10775

4,00 kW

n2 [rpm]	M2 [Nm]	fs	i	Gear reducer	Motor Size	Pole	Fr2 D-S-P [N]	Fr2 C [N]
31,4	1105	1,5	30,55	KXBCM503	132MA	6	22000	7693
31,2	1114	2,6	30,79	KXBCM603	132MA	6	30000	10774
31,1	1067	1,3	92,31	KXBCM503	100LB/112M/112MA	2	22000	7754
30,7	1131	2,6	31,26	KXBCM603	132MA	6	30000	10813
30,5	1129	1,5	47,28	KXBCM503	112M/112MA	4	22000	7762
30,5	1088	3,4	94,13	KXBCM703	100LB/112M/112MA	2	36947	36947
29,0	1196	1,5	33,07	KXBCM503	132MA	6	22000	7845
28,9	1189	2,7	49,80	KXBCM603	112M/112MA	4	30000	10983
28,8	1152	2,3	99,70	KXBCM603	100LB/112M/112MA	2	30000	11049
28,7	1199	1,4	50,24	KXBCM503	112M/112MA	4	22000	7880
27,7	1255	2,3	34,68	KXBCM603	132MA	6	30000	11079
27,2	1266	1,3	53,02	KXBCM503	112M/112MA	4	22000	7984
27,2	1219	1,1	105,44	KXBCM503	100LB/112M/112MA	2	22000	8017
27,1	1269	3,9	53,16	KXBCM703	112M/112MA	4	37978	37978
27,1	1223	3,1	105,83	KXBCM703	100LB/112M/112MA	2	38109	38109
26,9	1233	2,1	106,65	KXBCM603	100LB/112M/112MA	2	30000	11226
26,8	1297	1,4	35,87	KXBCM503	132MA	6	22000	8002
26,5	1296	2,5	54,30	KXBCM603	112M/112MA	4	30000	11205
26,4	1304	3,8	54,63	KXBCM703	112M/112MA	4	38246	38246
26,2	1326	3,8	36,67	KXBCM703	132MA	6	38273	38273
25,6	1294	2,9	111,94	KXBCM703	100LB/112M/112MA	2	38669	38669
25,0	1327	1,0	114,80	KXBCM503	100LB/112M/112MA	2	22000	8184
24,6	1397	1,2	58,50	KXBCM503	112M/112MA	4	22000	8175
24,4	1409	3,5	59,02	KXBCM703	112M/112MA	4	39007	39007
24,3	1417	2,3	59,36	KXBCM603	112M/112MA	4	30000	11431
24,0	1383	1,9	119,60	KXBCM603	100LB/112M/112MA	2	30000	11525
23,8	1457	3,5	40,29	KXBCM703	132MA	6	39195	39195
23,7	1466	2,0	40,53	KXBCM603	132MA	6	30000	11472
23,3	1487	1,2	41,12	KXBCM503	132MA	6	22000	8265
23,0	1494	2,2	62,59	KXBCM603	112M/112MA	4	30000	11564
23,0	1441	2,6	124,62	KXBCM703	100LB/112M/112MA	2	39744	39744
22,2	1549	1,1	64,89	KXBCM503	112M/112MA	4	22000	8374
22,2	1549	3,2	64,88	KXBCM703	112M/112MA	4	39942	39942
22,1	1502	1,7	129,96	KXBCM603	100LB/112M/112MA	2	30000	11738
21,7	1597	3,2	44,16	KXBCM703	132MA	6	40000	40000
21,5	1614	1,1	44,61	KXBCM503	132MA	6	22000	8419
21,4	1624	1,9	44,89	KXBCM603	132MA	6	30000	11725
21,0	1637	1,0	68,58	KXBCM503	112M/112MA	4	22000	8479
21,0	1577	2,4	136,44	KXBCM703	100LB/112M/112MA	2	40000	40000
20,7	1658	2,0	69,43	KXBCM603	112M/112MA	4	30000	11821
20,4	1682	3,0	70,43	KXBCM703	112M/112MA	4	40000	40000
20,3	1710	1,0	47,28	KXBCM503	132MA	6	22000	8529

4,00 kW

n2 [rpm]	M2 [Nm]	fs	i	Gear reducer	Motor Size	Pole	Fr2 D-S-P [N]	Fr2 C [N]
19,9	1670	1,6	144,43	KXBCM603	100LB/112M/112MA	2	30000	12004
19,9	1749	3,0	48,35	KXBCM703	132MA	6	40000	40000
19,8	1737	1,0	72,76	KXBCM503	112M/112MA	4	22000	8591
19,4	1777	2,0	74,42	KXBCM603	112M/112MA	4	30000	11989
19,3	1801	1,9	49,80	KXBCM603	132MA	6	30000	11975
19,2	1729	2,2	149,59	KXBCM703	100LB/112M/112MA	2	40000	40000
19,1	1817	1,0	50,24	KXBCM503	132MA	6	22000	8642
18,7	1841	2,7	77,12	KXBCM703	112M/112MA	4	40000	40000
18,2	1884	0,9	78,92	KXBCM503	112M/112MA	4	22000	8742
18,1	1918	0,9	53,02	KXBCM503	132MA	6	22000	8741
18,1	1923	2,7	53,16	KXBCM703	132MA	6	40000	40000
18,0	1911	1,8	80,04	KXBCM603	112M/112MA	4	30000	12161
17,9	1852	1,4	160,23	KXBCM603	100LB/112M/112MA	2	30000	12259
17,7	1964	1,7	54,30	KXBCM603	132MA	6	30000	12176
17,6	1976	2,7	54,63	KXBCM703	132MA	6	40000	40000
17,2	1997	0,9	83,66	KXBCM503	112M/112MA	4	22000	8849
17,2	1925	1,9	166,53	KXBCM703	100LB/112M/112MA	2	40000	40000
16,8	2042	2,4	85,54	KXBCM703	112M/112MA	4	40000	40000
16,3	2135	2,5	59,02	KXBCM703	132MA	6	40000	40000
16,2	2147	1,6	59,36	KXBCM603	132MA	6	30000	12376
16,0	2146	1,6	89,87	KXBCM603	112M/112MA	4	30000	12424
15,9	2085	1,3	180,40	KXBCM603	100LB/112M/112MA	2	30000	12539
15,8	2204	3,8	60,92	KXBCM903	132MA	6	65000	65000
15,3	2264	1,5	62,59	KXBCM603	132MA	6	30000	12490
15,3	2164	1,7	187,24	KXBCM703	100LB/112M/112MA	2	40000	40000
15,3	2247	2,2	94,13	KXBCM703	112M/112MA	4	40000	40000
15,1	2296	3,7	63,47	KXBCM903	132MA	6	65000	65000
14,8	2347	2,2	64,88	KXBCM703	132MA	6	40000	40000
14,4	2380	1,5	99,70	KXBCM603	112M/112MA	4	30000	12647
13,8	2511	1,4	69,43	KXBCM603	132MA	6	30000	12704
13,6	2548	2,1	70,43	KXBCM703	132MA	6	40000	40000
13,6	2527	2,0	105,83	KXBCM703	112M/112MA	4	40000	40000
13,5	2546	1,4	106,65	KXBCM603	112M/112MA	4	30000	12784
13,5	2573	3,3	71,15	KXBCM903	132MA	6	65000	65000
12,9	2692	1,4	74,42	KXBCM603	132MA	6	30000	12838
12,9	2673	1,9	111,94	KXBCM703	112M/112MA	4	40000	40000
12,4	2789	1,9	77,12	KXBCM703	132MA	6	40000	40000
12,4	2793	3,0	77,22	KXBCM903	132MA	6	65000	65000
12,0	2855	1,2	119,60	KXBCM603	112M/112MA	4	30000	13000
12,0	2895	1,3	80,04	KXBCM603	132MA	6	30000	12969
11,6	2975	1,7	124,62	KXBCM703	112M/112MA	4	40000	40000
11,4	3034	2,8	83,89	KXBCM903	132MA	6	65000	65000

4,00 kW

n2 [rpm]	M2 [Nm]	fs	i	Gear reducer	Motor Size	Pole	Fr2 D-S-P [N]	Fr2 C [N]
11,2	3094	1,7	85,54	KXBCM703	132MA	6	40000	40000
11,1	3103	1,1	129,96	KXBCM603	112M/112MA	4	30000	13140
11,0	3170	2,6	87,65	KXBCM903	132MA	6	65000	65000
10,7	3251	1,1	89,87	KXBCM603	132MA	6	30000	13155
10,6	3257	1,5	136,44	KXBCM703	112M/112MA	4	40000	40000
10,3	3366	2,5	93,05	KXBCM903	132MA	6	65000	65000
10,2	3405	1,5	94,13	KXBCM703	132MA	6	40000	40000
10,0	3448	1,0	144,43	KXBCM603	112M/112MA	4	30000	13297
9,6	3606	1,0	99,70	KXBCM603	132MA	6	30000	13296
9,6	3571	1,4	149,59	KXBCM703	112M/112MA	4	40000	40000
9,3	3730	2,3	103,12	KXBCM903	132MA	6	65000	65000
9,1	3828	1,4	105,83	KXBCM703	132MA	6	40000	40000
9,0	3858	1,0	106,65	KXBCM603	132MA	6	30000	13371
9,0	3825	0,9	160,23	KXBCM603	112M/112MA	4	30000	13423
8,6	4049	1,3	111,94	KXBCM703	132MA	6	40000	40000
8,6	3976	1,3	166,53	KXBCM703	112M/112MA	4	40000	40000
7,7	4507	1,2	124,62	KXBCM703	132MA	6	40000	40000
7,7	4470	1,1	187,24	KXBCM703	112M/112MA	4	40000	40000
7,7	4481	1,9	123,88	KXBCM903	132MA	6	65000	65000
7,2	4856	1,7	134,27	KXBCM903	132MA	6	65000	65000
7,0	4935	1,1	136,44	KXBCM703	132MA	6	40000	40000
6,4	5411	1,0	149,59	KXBCM703	132MA	6	40000	40000
6,4	5399	1,6	149,26	KXBCM903	132MA	6	65000	65000
5,8	5983	1,4	165,42	KXBCM903	132MA	6	65000	65000

4,80 kW

n2 [rpm]	M2 [Nm]	fs	i	Gear reducer	Motor Size	Pole	Fr2 D-S-P [N]	Fr2 C [N]
250,2	165	1,8	5,71	KXBCM353	112MB ⁽¹⁾	4	7541	2155
207,9	198	1,7	6,88	KXBCM353	112MB ⁽¹⁾	4	7912	2261
195,3	211	1,7	7,32	KXBCM353	112MB ⁽¹⁾	4	8038	2297
183,1	225	2,2	7,81	KXBCM403	112MB ⁽¹⁾	4	12993	3712
176,0	234	3,4	8,13	KXBCM503	112MB ⁽¹⁾	4	16375	4678
171,1	255	1,4	8,36	KXACM352	112MB ⁽¹⁾	4	5043	2522
165,8	249	2,4	8,62	KXBCM403	112MB ⁽¹⁾	4	13361	3817
159,5	259	3,5	8,97	KXBCM503	112MB ⁽¹⁾	4	16868	4819
156,1	264	1,7	9,16	KXBCM353	112MB ⁽¹⁾	4	8488	2425
142,2	306	1,1	10,06	KXACM352	112MB ⁽¹⁾	4	5365	2682
139,3	296	1,8	10,26	KXBCM353	112MB ⁽¹⁾	4	8714	2490
136,3	303	2,1	10,49	KXBCM403	112MB ⁽¹⁾	4	14104	4030
130,9	315	3,2	10,92	KXBCM503	112MB ⁽¹⁾	4	17889	5111
129,7	318	1,7	11,03	KXBCM353	112MB ⁽¹⁾	4	8856	2530

⁽¹⁾ Available only with brake motor (TBS)

4,80 kW

n2 [rpm]	M2 [Nm]	fs	i	Gear reducer	Motor Size	Pole	Fr2 D-S-P [N]	Fr2 C [N]
123,4	334	2,2	11,59	KXBCM403	112MB ⁽¹⁾	4	14486	4139
118,7	348	2,9	12,05	KXBCM503	112MB ⁽¹⁾	4	18416	5262
115,7	356	1,6	12,35	KXBCM353	112MB ⁽¹⁾	4	9076	2593
114,9	379	0,9	12,44	KXACM352	112MB ⁽¹⁾	4	5759	2879
108,7	379	1,6	13,15	KXBCM353	112MB ⁽¹⁾	4	9195	2627
99,1	416	1,9	14,43	KXBCM403	112MB ⁽¹⁾	4	15343	4384
95,9	454	0,9	14,91	KXACM352	112MB ⁽¹⁾	4	6116	3058
95,4	432	2,8	14,99	KXBCM503	112MB ⁽¹⁾	4	19621	5606
94,2	438	1,3	15,18	KXBCM353	112MB ⁽¹⁾	4	9459	2703
86,2	479	1,8	16,60	KXBCM403	112MB ⁽¹⁾	4	15895	4541
84,1	491	1,2	17,00	KXBCM353	112MB ⁽¹⁾	4	9659	2760
82,8	498	2,8	17,27	KXBCM503	112MB ⁽¹⁾	4	20431	5837
78,0	529	1,6	18,32	KXBCM403	112MB ⁽¹⁾	4	16286	4653
75,0	550	2,5	19,06	KXBCM503	112MB ⁽¹⁾	4	21005	6001
63,9	646	0,9	22,39	KXBCM353	112MB ⁽¹⁾	4	10086	2882
62,7	658	1,3	22,82	KXBCM403	112MB ⁽¹⁾	4	17144	4898
60,3	684	2,0	23,70	KXBCM503	112MB ⁽¹⁾	4	22000	6373
55,2	747	3,7	25,89	KXBCM603	112MB ⁽¹⁾	4	30000	9151
53,9	765	2,0	26,51	KXBCM503	112MB ⁽¹⁾	4	22000	6568
53,5	771	1,1	26,71	KXBCM403	112MB ⁽¹⁾	4	17747	5071
48,5	851	1,0	29,50	KXBCM403	112MB ⁽¹⁾	4	18000	5176
46,8	882	1,8	30,55	KXBCM503	112MB ⁽¹⁾	4	22000	6817
45,7	902	3,1	31,26	KXBCM603	112MB ⁽¹⁾	4	30000	9598
45,0	917	0,9	31,80	KXBCM403	112MB ⁽¹⁾	4	18000	5254
43,2	954	1,8	33,07	KXBCM503	112MB ⁽¹⁾	4	22000	6956
41,2	1001	2,8	34,68	KXBCM603	112MB ⁽¹⁾	4	30000	9844
39,9	1035	1,6	35,87	KXBCM503	112MB ⁽¹⁾	4	22000	7101
35,3	1169	2,4	40,53	KXBCM603	112MB ⁽¹⁾	4	30000	10211
34,8	1186	1,4	41,12	KXBCM503	112MB ⁽¹⁾	4	22000	7343
32,4	1274	3,8	44,16	KXBCM703	112MB ⁽¹⁾	4	35559	35559
32,1	1287	1,3	44,61	KXBCM503	112MB ⁽¹⁾	4	22000	7487
31,9	1295	2,3	44,89	KXBCM603	112MB ⁽¹⁾	4	30000	10449
30,2	1364	1,2	47,28	KXBCM503	112MB ⁽¹⁾	4	22000	7589
29,6	1395	3,6	48,35	KXBCM703	112MB ⁽¹⁾	4	36376	36376
28,7	1437	2,2	49,80	KXBCM603	112MB ⁽¹⁾	4	30000	10686
28,5	1449	1,2	50,24	KXBCM503	112MB ⁽¹⁾	4	22000	7695
27,0	1530	1,1	53,02	KXBCM503	112MB ⁽¹⁾	4	22000	7789
26,9	1534	3,3	53,16	KXBCM703	112MB ⁽¹⁾	4	37231	37231
26,3	1567	2,0	54,30	KXBCM603	112MB ⁽¹⁾	4	30000	10880
26,2	1576	3,2	54,63	KXBCM703	112MB ⁽¹⁾	4	37477	37477
24,4	1688	1,0	58,50	KXBCM503	112MB ⁽¹⁾	4	22000	7957
24,2	1703	2,9	59,02	KXBCM703	112MB ⁽¹⁾	4	38170	38170

⁽¹⁾ Available only with brake motor (TBS)

4,80 kW

n ₂ [rpm]	M ₂ [Nm]	f _s	i	Gear reducer	Motor		Fr ₂ D-S-P [N]	Fr ₂ C [N]
					Size	Pole		
24,1	1712	1,9	59,36	KXBCM603	112MB ⁽¹⁾	4	30000	11074
22,8	1806	1,8	62,59	KXBCM603	112MB ⁽¹⁾	4	30000	11186
22,0	1872	0,9	64,89	KXBCM503	112MB ⁽¹⁾	4	22000	8131
22,0	1872	2,7	64,88	KXBCM703	112MB ⁽¹⁾	4	39016	39016
20,6	2003	1,6	69,43	KXBCM603	112MB ⁽¹⁾	4	30000	11400
20,3	2032	2,5	70,43	KXBCM703	112MB ⁽¹⁾	4	39740	39740
19,2	2147	1,6	74,42	KXBCM603	112MB ⁽¹⁾	4	30000	11535
18,5	2225	2,2	77,12	KXBCM703	112MB ⁽¹⁾	4	40000	40000
17,9	2309	1,5	80,04	KXBCM603	112MB ⁽¹⁾	4	30000	11672
16,7	2468	2,0	85,54	KXBCM703	112MB ⁽¹⁾	4	40000	40000
15,9	2593	1,3	89,87	KXBCM603	112MB ⁽¹⁾	4	30000	11872
15,2	2716	1,8	94,13	KXBCM703	112MB ⁽¹⁾	4	40000	40000
14,3	2876	1,2	99,70	KXBCM603	112MB ⁽¹⁾	4	30000	12032
13,5	3053	1,6	105,83	KXBCM703	112MB ⁽¹⁾	4	40000	40000
13,4	3077	1,1	106,65	KXBCM603	112MB ⁽¹⁾	4	30000	12124
12,8	3229	1,5	111,94	KXBCM703	112MB ⁽¹⁾	4	40000	40000
12,0	3450	1,0	119,60	KXBCM603	112MB ⁽¹⁾	4	30000	12257
11,5	3595	1,4	124,62	KXBCM703	112MB ⁽¹⁾	4	40000	40000
11,0	3749	0,9	129,96	KXBCM603	112MB ⁽¹⁾	4	30000	12331
10,5	3936	1,3	136,44	KXBCM703	112MB ⁽¹⁾	4	40000	40000
9,6	4316	1,2	149,59	KXBCM703	112MB ⁽¹⁾	4	40000	40000
8,6	4804	1,0	166,53	KXBCM703	112MB ⁽¹⁾	4	40000	40000
7,6	5402	0,9	187,24	KXBCM703	112MB ⁽¹⁾	4	40000	40000

5,50 kW

n ₂ [rpm]	M ₂ [Nm]	f _s	i	Gear reducer	Motor		Fr ₂ D-S-P [N]	Fr ₂ C [N]
					Size	Pole		
423,0	108	2,4	6,88	KXBCM353	112MB ⁽¹⁾	2	6480	1851
397,4	115	2,3	7,32	KXBCM353	112MB ⁽¹⁾	2	6594	1884
372,6	122	3,1	7,81	KXBCM403	112MB/132SA/132S	2	10503	3001
348,2	138	1,9	8,36	KXACM352	112MB ⁽¹⁾	2	3980	1990
337,5	135	3,3	8,62	KXBCM403	112MB/132SA/132S	2	10817	3091
289,3	166	1,6	10,06	KXACM352	112MB ⁽¹⁾	2	4233	2117
277,3	165	3,0	10,49	KXBCM403	112MB/132SA/132S	2	11460	3274
263,9	173	2,3	11,03	KXBCM353	112MB ⁽¹⁾	2	7361	2103
251,1	182	3,1	11,59	KXBCM403	112MB/132SA/132S	2	11793	3370
241,5	189	4,0	12,05	KXBCM503	112MB/132SA	2	14814	4233
233,9	206	1,3	12,44	KXACM352	112MB ⁽¹⁾	2	4544	2272
221,3	206	2,1	13,15	KXBCM353	112MB ⁽¹⁾	2	7698	2199
201,7	226	2,7	14,43	KXBCM403	112MB/132SA/132S	2	12554	3587
195,2	247	1,3	14,91	KXACM352	112MB ⁽¹⁾	2	4826	2413
194,2	235	3,8	14,99	KXBCM503	112MB/132SA/132S	2	15828	4522

⁽¹⁾ Available only with brake motor (TBS)

5,50 kW

n2 [rpm]	M2 [Nm]	fs	i	Gear reducer	Motor Size	Pole	Fr2 D-S-P [N]	Fr2 C [N]
191,8	238	1,9	15,18	KXBCM353	112MB ⁽¹⁾	2	7972	2278
185,7	255	2,0	7,81	KXBCM403	132MS/132S	4	12811	3660
178,4	265	3,0	8,13	KXBCM503	132MS/132S	4	16209	4631
175,4	260	2,5	16,60	KXBCM403	112MB/132SA/132S	2	13052	3729
171,2	267	1,7	17,00	KXBCM353	112MB ⁽¹⁾	2	8188	2339
168,5	271	3,9	17,27	KXBCM503	112MB/132SA/132S	2	16516	4719
168,2	281	2,1	8,62	KXBCM403	132MS/132S	4	13164	3761
162,2	297	1,1	17,94	KXACM352	112MB ⁽¹⁾	2	5134	2567
161,7	292	3,1	8,97	KXBCM503	132MS/132S	4	16690	4769
158,8	287	2,2	18,32	KXBCM403	112MB/132SA/132S	2	13412	3832
152,7	299	3,5	19,06	KXBCM503	112MB/132SA/132S	2	17006	4859
138,2	342	1,9	10,49	KXBCM403	132MS/132S	4	13875	3964
132,8	356	2,8	10,92	KXBCM503	132MS/132S	4	17685	5053
130,0	351	1,3	22,39	KXBCM353	112MB ⁽¹⁾	2	8700	2486
127,5	358	1,8	22,82	KXBCM403	112MB/132SA/132S	2	14221	4063
125,1	378	2,0	11,59	KXBCM403	132MS/132S	4	14238	4068
122,9	388	1,4	7,81	KXBCM403	132MB	6	14288	4082
122,8	372	2,8	23,70	KXBCM503	112MB/132SA/132S	2	18130	5180
120,5	396	4,0	7,97	KXBCM603	132MB	6	25591	7312
120,3	393	2,5	12,05	KXBCM503	132MS/132S	4	18197	5199
118,1	404	2,1	8,13	KXBCM503	132MB	6	18283	5224
111,5	409	1,1	26,09	KXBCM353	112MB ⁽¹⁾	2	8971	2563
111,3	429	1,5	8,62	KXBCM403	132MB	6	14651	4186
109,8	416	2,7	26,51	KXBCM503	112MB/132SA/132S	2	18727	5351
108,9	419	1,5	26,71	KXBCM403	112MB/132SA/132S	2	14810	4231
107,1	446	2,1	8,97	KXBCM503	132MB	6	18804	5373
103,8	439	1,0	28,03	KXBCM353	112MB ⁽¹⁾	2	9093	2598
100,5	470	1,7	14,43	KXBCM403	132MS/132S	4	15046	4299
99,8	478	4,0	9,62	KXBCM603	132MB	6	26973	7707
98,7	462	1,4	29,50	KXBCM403	112MB/132SA/132S	2	15182	4338
96,8	489	2,5	14,99	KXBCM503	132MS/132S	4	19364	5532
95,2	479	2,5	30,55	KXBCM503	112MB/132SA/132S	2	19500	5571
91,5	498	1,3	31,80	KXBCM403	112MB/132SA/132S	2	15464	4418
91,5	522	1,3	10,49	KXBCM403	132MB	6	15372	4392
88,0	518	2,5	33,07	KXBCM503	112MB/132SA/132S	2	19938	5697
87,9	543	1,9	10,92	KXBCM503	132MB	6	19875	5678
87,4	541	1,6	16,60	KXBCM403	132MS/132S	4	15561	4446
84,4	541	1,2	34,49	KXBCM403	112MB/132SA/132S	2	15769	4505
84,0	563	2,5	17,27	KXBCM503	132MS/132S	4	20145	5756
83,9	544	3,9	34,68	KXBCM603	112MB/132SA/132S	2	28392	8112
82,9	576	1,4	11,59	KXBCM403	132MB	6	15733	4495
81,1	562	2,3	35,87	KXBCM503	112MB/132SA/132S	2	20395	5827

⁽¹⁾ Available only with brake motor (TBS)

5,50 kW

n2 [rpm]	M2 [Nm]	fs	i	Gear reducer	Motor Size	Pole	Fr2 D-S-P [N]	Fr2 C [N]
79,7	599	1,8	12,05	KXBCM503	132MB	6	20421	5834
79,1	597	1,4	18,32	KXBCM403	132MS/132S	4	15923	4550
78,1	606	3,6	18,58	KXBCM603	132MS/132S	4	28852	8244
76,9	621	3,4	12,48	KXBCM603	132MB	6	28936	8267
76,1	621	2,3	19,06	KXBCM503	132MS/132S	4	20696	5913
73,5	621	1,0	39,60	KXBCM403	112MB/132SA/132S	2	16282	4652
71,8	635	3,3	40,53	KXBCM603	112MB/132SA/132S	2	29601	8457
70,8	645	2,0	41,12	KXBCM503	112MB/132SA/132S	2	21174	6050
70,4	672	3,7	20,61	KXBCM603	132MS/132S	4	29651	8472
69,3	689	3,2	13,84	KXBCM603	132MB	6	29732	8495
66,5	718	1,2	14,43	KXBCM403	132MB	6	16517	4719
65,2	699	1,8	44,61	KXBCM503	112MB/132SA/132S	2	21643	6184
64,8	704	3,2	44,89	KXBCM603	112MB/132SA/132S	2	30000	8686
64,1	745	1,7	14,99	KXBCM503	132MB	6	21653	6187
63,7	743	3,8	22,78	KXBCM603	132MS/132S	4	30000	8693
63,5	744	1,1	22,82	KXBCM403	132MS/132S	4	16707	4774
62,4	765	2,9	15,38	KXBCM603	132MB	6	30000	8727
61,5	741	1,7	47,28	KXBCM503	112MB/132SA/132S	2	21982	6280
61,2	773	1,8	23,70	KXBCM503	132MS/132S	4	21938	6268
58,4	781	3,1	49,80	KXBCM603	112MB/132SA/132S	2	30000	8920
57,9	788	1,6	50,24	KXBCM503	112MB/132SA/132S	2	22000	6382
57,8	825	1,1	16,60	KXBCM403	132MB	6	16999	4857
56,3	848	4,0	17,04	KXBCM703	132MB	6	30302	30302
56,0	844	3,3	25,89	KXBCM603	132MS/132S	4	30000	8977
55,6	859	1,7	17,27	KXBCM503	132MB	6	22000	6419
54,9	831	1,5	53,02	KXBCM503	112MB/132SA/132S	2	22000	6472
54,7	864	1,7	26,51	KXBCM503	132MS/132S	4	22000	6453
54,3	871	1,0	26,71	KXBCM403	132MS/132S	4	17246	4928
53,6	851	2,8	54,30	KXBCM603	112MB/132SA/132S	2	30000	9115
52,7	897	3,1	27,51	KXBCM603	132MS/132S	4	30000	9112
52,4	911	1,0	18,32	KXBCM403	132MB	6	17327	4951
51,7	924	2,5	18,58	KXBCM603	132MB	6	30000	9143
50,4	948	1,6	19,06	KXBCM503	132MB	6	22000	6581
49,7	917	1,4	58,50	KXBCM503	112MB/132SA/132S	2	22000	6637
49,0	930	2,6	59,36	KXBCM603	112MB/132SA/132S	2	30000	9316
47,5	996	1,6	30,55	KXBCM503	132MS/132S	4	22000	6688
47,1	1004	2,8	30,79	KXBCM603	132MS/132S	4	30000	9361
46,6	1025	2,6	20,61	KXBCM603	132MB	6	30000	9372
46,5	981	2,5	62,59	KXBCM603	112MB/132SA/132S	2	30000	9436
46,4	1019	2,7	31,26	KXBCM603	132MS/132S	4	30000	9395
44,9	1017	3,7	64,88	KXBCM703	112MB/132SA/132S	2	32340	32340
44,8	1017	1,3	64,89	KXBCM503	112MB/132SA/132S	2	22000	6812

5.1 KXBC/KXAC GEARED MOTORS (50Hz)

5,50 kW

n2 [rpm]	M2 [Nm]	fs	i	Gear reducer	Motor		Fr2 D-S-P [N]	Fr2 C [N]
					Size	Pole		
43,9	1078	1,6	33,07	KXBCM503	132MS/132S	4	22000	6819
42,4	1075	1,2	68,58	KXBCM503	112MB/132SA/132S	2	22000	6905
42,1	1133	2,6	22,78	KXBCM603	132MB	6	30000	9590
41,9	1088	2,3	69,43	KXBCM603	112MB/132SA/132S	2	30000	9669
41,8	1131	2,5	34,68	KXBCM603	132MS/132S	4	30000	9622
41,3	1104	3,4	70,43	KXBCM703	112MB/132SA/132S	2	33040	33040
40,5	1179	1,2	23,70	KXBCM503	132MB	6	22000	6941
40,4	1169	1,5	35,87	KXBCM503	132MS/132S	4	22000	6954
40,0	1141	1,1	72,76	KXBCM503	112MB/132SA/132S	2	22000	7005
39,1	1167	2,3	74,42	KXBCM603	112MB/132SA/132S	2	30000	9823
37,7	1209	3,1	77,12	KXBCM703	112MB/132SA/132S	2	33816	33816
37,5	1275	3,8	25,63	KXBCM703	132MB	6	33697	33697
37,1	1288	2,3	25,89	KXBCM603	132MB	6	30000	9865
36,9	1237	1,0	78,92	KXBCM503	112MB/132SA/132S	2	22000	7142
36,4	1255	2,1	80,04	KXBCM603	112MB/132SA/132S	2	30000	9983
36,2	1319	1,2	26,51	KXBCM503	132MB	6	22000	7124
36,0	1314	3,7	40,29	KXBCM703	132MS/132S	4	34076	34076
35,8	1321	2,1	40,53	KXBCM603	132MS/132S	4	30000	9958
35,3	1341	1,3	41,12	KXBCM503	132MS/132S	4	22000	7178
35,0	1365	3,5	27,44	KXBCM703	132MB	6	34272	34272
34,9	1368	2,1	27,51	KXBCM603	132MB	6	30000	9993
34,8	1311	1,0	83,66	KXBCM503	112MB/132SA/132S	2	22000	7239
34,0	1341	2,8	85,54	KXBCM703	112MB/132SA/132S	2	34706	34706
32,8	1440	3,3	44,16	KXBCM703	132MS/132S	4	34849	34849
32,5	1454	1,2	44,61	KXBCM503	132MS/132S	4	22000	7310
32,4	1409	1,9	89,87	KXBCM603	112MB/132SA/132S	2	30000	10234
32,3	1464	2,0	44,89	KXBCM603	132MS/132S	4	30000	10172
32,0	1494	3,3	30,05	KXBCM703	132MB	6	35031	35031
31,4	1520	1,1	30,55	KXBCM503	132MB	6	22000	7352
31,2	1531	1,9	30,79	KXBCM603	132MB	6	30000	10225
30,9	1476	2,5	94,13	KXBCM703	112MB/132SA/132S	2	35526	35526
30,7	1542	1,1	47,28	KXBCM503	132MS/132S	4	22000	7404
30,7	1555	1,9	31,26	KXBCM603	132MB	6	30000	10256
30,0	1576	3,2	48,35	KXBCM703	132MS/132S	4	35611	35611
29,2	1563	1,7	99,70	KXBCM603	112MB/132SA/132S	2	30000	10453
29,1	1624	2,0	49,80	KXBCM603	132MS/132S	4	30000	10383
29,1	1642	3,0	33,01	KXBCM703	132MB	6	35816	35816
29,0	1645	1,1	33,07	KXBCM503	132MB	6	22000	7477
28,9	1638	1,0	50,24	KXBCM503	132MS/132S	4	22000	7500
28,2	1616	3,7	103,12	KXBCM903	132SA/132S	2	63179	63179
27,7	1725	1,7	34,68	KXBCM603	132MB	6	30000	10461
27,5	1659	2,3	105,83	KXBCM703	112MB/132SA/132S	2	36528	36528

5.1 KXBC/KXAC GEARED MOTORS (50Hz)

5,50 kW

n ₂ [rpm]	M ₂ [Nm]	f _s	i	Gear reducer	Motor		Fr ₂ D-S-P [N]	Fr ₂ C [N]
					Size	Pole		
27,3	1729	1,0	53,02	KXBCM503	132MS/132S	4	22000	7584
27,3	1672	1,6	106,65	KXBCM603	112MB/132SA/132S	2	30000	10591
27,3	1733	2,9	53,16	KXBCM703	132MS/132S	4	36402	36402
26,8	1784	1,0	35,87	KXBCM503	132MB	6	22000	7603
26,7	1770	1,8	54,30	KXBCM603	132MS/132S	4	30000	10553
26,5	1781	2,8	54,63	KXBCM703	132MS/132S	4	36628	36628
26,2	1824	2,8	36,67	KXBCM703	132MB	6	36686	36686
26,0	1755	2,1	111,94	KXBCM703	112MB/132SA/132S	2	37004	37004
25,1	1881	0,9	58,50	KXBCM503	132MS	4	22000	7713
24,6	1924	2,6	59,02	KXBCM703	132MS/132S	4	37265	37265
24,4	1935	1,7	59,36	KXBCM603	132MS/132S	4	30000	10721
24,3	1875	1,4	119,60	KXBCM603	112MB/132SA/132S	2	30000	10817
23,8	2004	2,5	40,29	KXBCM703	132MB	6	37452	37452
23,7	2016	1,5	40,53	KXBCM603	132MB	6	30000	10750
23,5	1942	3,1	123,88	KXBCM903	132SA/132S	2	65000	65000
23,4	1954	1,9	124,62	KXBCM703	112MB/132SA/132S	2	37905	37905
23,2	2040	1,6	62,59	KXBCM603	132MS/132S	4	30000	10816
22,8	2069	3,9	63,47	KXBCM903	132MS/132S	4	65000	65000
22,7	2104	4,0	42,30	KXBCM903	132MB	6	65000	65000
22,4	2037	1,3	129,96	KXBCM603	112MB/132SA/132S	2	30000	10973
22,3	2115	2,4	64,88	KXBCM703	132MS/132S	4	38034	38034
21,7	2196	2,3	44,16	KXBCM703	132MB	6	38186	38186
21,7	2105	2,9	134,27	KXBCM903	132SA/132S	2	65000	65000
21,4	2233	1,4	44,89	KXBCM603	132MB	6	30000	10925
21,3	2139	1,8	136,44	KXBCM703	112MB/132SA/132S	2	38654	38654
20,9	2264	1,5	69,43	KXBCM603	132MS/132S	4	30000	10993
20,6	2296	2,2	70,43	KXBCM703	132MS/132S	4	38686	38686
20,4	2319	3,4	71,15	KXBCM903	132MS/132S	4	65000	65000
20,2	2364	3,6	47,53	KXBCM903	132MB	6	65000	65000
20,1	2264	1,2	144,43	KXBCM603	112MB/132SA/132S	2	30000	11159
19,9	2405	2,2	48,35	KXBCM703	132MB	6	38893	38893
19,5	2426	1,4	74,42	KXBCM603	132MS/132S	4	30000	11103
19,5	2345	1,6	149,59	KXBCM703	112MB/132SA/132S	2	39398	39398
19,5	2340	2,6	149,26	KXBCM903	132SA/132S	2	65000	65000
19,3	2477	1,4	49,80	KXBCM603	132MB	6	30000	11087
19,0	2515	3,3	50,56	KXBCM903	132MB	6	65000	65000
18,8	2514	2,0	77,12	KXBCM703	132MS/132S	4	39388	39388
18,8	2518	3,2	77,22	KXBCM903	132MS/132S	4	65000	65000
18,2	2512	1,0	160,23	KXBCM603	112MB/132SA/132S	2	30000	11326
18,1	2609	1,3	80,04	KXBCM603	132MS/132S	4	30000	11210
18,1	2644	2,0	53,16	KXBCM703	132MB	6	39610	39610
17,7	2701	1,2	54,30	KXBCM603	132MB	6	30000	11209

5,50 kW

n2 [rpm]	M2 [Nm]	fs	i	Gear reducer	Motor Size	Pole	Fr2 D-S-P [N]	Fr2 C [N]
17,6	2717	1,9	54,63	KXBCM703	132MB	6	39811	39811
17,6	2593	2,3	165,42	KXBCM903	132SA/132S	2	65000	65000
17,6	2718	3,1	54,64	KXBCM903	132MB	6	65000	65000
17,5	2611	1,4	166,53	KXBCM703	112MB/132SA/132S	2	40000	40000
17,3	2735	2,9	83,89	KXBCM903	132MS/132S	4	65000	65000
17,0	2789	1,8	85,54	KXBCM703	132MS/132S	4	40000	40000
16,8	2848	2,9	57,27	KXBCM903	132MB	6	65000	65000
16,5	2858	2,8	87,65	KXBCM903	132MS/132S	4	65000	65000
16,3	2935	1,8	59,02	KXBCM703	132MB	6	40000	40000
16,2	2952	1,1	59,36	KXBCM603	132MB	6	30000	11318
16,1	2930	1,2	89,87	KXBCM603	132MS/132S	4	30000	11360
15,8	3030	2,8	60,92	KXBCM903	132MB	6	65000	65000
15,6	3033	2,6	93,05	KXBCM903	132MS/132S	4	65000	65000
15,5	2935	1,3	187,24	KXBCM703	112MB/132SA/132S	2	40000	40000
15,4	3069	1,6	94,13	KXBCM703	132MS/132S	4	40000	40000
15,3	3113	1,1	62,59	KXBCM603	132MB	6	30000	11375
15,1	3157	2,7	63,47	KXBCM903	132MB	6	65000	65000
14,8	3227	1,6	64,88	KXBCM703	132MB	6	40000	40000
14,5	3250	1,1	99,70	KXBCM603	132MS/132S	4	30000	11469
14,1	3362	2,4	103,12	KXBCM903	132MS/132S	4	65000	65000
13,8	3453	1,0	69,43	KXBCM603	132MB	6	30000	11467
13,7	3450	1,4	105,83	KXBCM703	132MS/132S	4	40000	40000
13,6	3477	1,0	106,65	KXBCM603	132MS/132S	4	30000	11525
13,6	3503	1,5	70,43	KXBCM703	132MB	6	40000	40000
13,5	3538	2,4	71,15	KXBCM903	132MB	6	65000	65000
13,0	3649	1,4	111,94	KXBCM703	132MS/132S	4	40000	40000
12,9	3701	1,0	74,42	KXBCM603	132MB	6	30000	11512
12,4	3835	1,4	77,12	KXBCM703	132MB	6	40000	40000
12,4	3841	2,2	77,22	KXBCM903	132MB	6	65000	65000
12,2	3872	0,9	119,60	KXBCM603	132MS/132S	4	30000	11588
12,0	3981	0,9	80,04	KXBCM603	132MB	6	30000	11543
11,7	4039	2,0	123,88	KXBCM903	132MS/132S	4	65000	65000
11,6	4063	1,2	124,62	KXBCM703	132MS/132S	4	40000	40000
11,4	4172	2,0	83,89	KXBCM903	132MB	6	65000	65000
11,2	4255	1,2	85,54	KXBCM703	132MB	6	40000	40000
11,0	4359	1,9	87,65	KXBCM903	132MB	6	65000	65000
10,8	4377	1,8	134,27	KXBCM903	132MS/132S	4	65000	65000
10,6	4448	1,1	136,44	KXBCM703	132MS/132S	4	40000	40000
10,3	4628	1,8	93,05	KXBCM903	132MB	6	65000	65000
10,2	4681	1,1	94,13	KXBCM703	132MB	6	40000	40000
9,7	4877	1,0	149,59	KXBCM703	132MS/132S	4	40000	40000
9,7	4866	1,6	149,26	KXBCM903	132MS/132S	4	65000	65000

5.1 KXBC/KXAC GEARED MOTORS (50Hz)

5,50 kW

n2 [rpm]	M2 [Nm]	fs	i	Gear reducer	Motor Size	Pole	Fr2 D-S-P [N]	Fr2 C [N]
9,3	5128	1,6	103,12	KXBCM903	132MB	6	65000	65000
9,1	5263	1,0	105,83	KXBCM703	132MB	6	40000	40000
8,8	5393	1,5	165,42	KXBCM903	132MS/132S	4	65000	65000
8,7	5429	0,9	166,53	KXBCM703	132MS/132S	4	40000	40000
8,6	5567	0,9	111,94	KXBCM703	132MB	6	40000	40000
7,7	6161	1,4	123,88	KXBCM903	132MB	6	65000	65000
7,2	6678	1,3	134,27	KXBCM903	132MB	6	65000	65000
6,4	7423	1,1	149,26	KXBCM903	132MB	6	65000	65000
5,8	8227	1,0	165,42	KXBCM903	132MB	6	65000	65000

7,50 kW

n2 [rpm]	M2 [Nm]	fs	i	Gear reducer	Motor Size	Pole	Fr2 D-S-P [N]	Fr2 C [N]
277,3	224	2,2	10,49	KXBCM403	132M/132SB	2	11218	3205
266,5	233	3,2	10,92	KXBCM503	132M/132SB	2	14196	4056
241,5	258	2,9	12,05	KXBCM503	132M/132SB	2	14617	4176
194,2	320	2,8	14,99	KXBCM503	132M/132SB	2	15582	4452
185,7	347	1,4	7,81	KXBCM403	132MA/132M	4	12437	3553
178,4	361	2,2	8,13	KXBCM503	132MA/132M	4	15932	4552
175,4	355	1,8	16,60	KXBCM403	132M/132SB	2	12670	3620
168,5	369	2,8	17,27	KXBCM503	132M/132SB	2	16233	4638
168,2	383	1,6	8,62	KXBCM403	132MA/132M	4	12750	3643
161,7	399	2,3	8,97	KXBCM503	132MA/132M	4	16385	4681
158,8	392	1,6	18,32	KXBCM403	132M/132SB	2	12989	3711
152,7	407	2,6	19,06	KXBCM503	132M/132SB	2	16694	4770
138,2	467	1,4	10,49	KXBCM403	132MA/132M	4	13371	3820
132,8	486	2,1	10,92	KXBCM503	132MA/132M	4	17313	4947
125,1	515	1,5	11,59	KXBCM403	132MA/132M	4	13682	3909
122,8	507	2,1	23,70	KXBCM503	132M/132SB	2	17741	5069
121,8	535	2,9	7,97	KXBCM603	160M	6	24861	7103
120,3	536	1,9	12,05	KXBCM503	132MA/132M	4	17786	5082
119,4	545	1,5	8,13	KXBCM503	160M	6	17810	5089
116,2	555	3,6	12,48	KXBCM603	132MA/132M	4	25194	7198
112,4	553	3,8	25,89	KXBCM603	132M/132SB	2	25506	7287
109,8	567	2,0	26,51	KXBCM503	132M/132SB	2	18293	5226
108,9	571	1,1	26,71	KXBCM403	132M/132SB	2	14194	4055
108,2	602	1,6	8,97	KXBCM503	160M	6	18287	5225
105,8	588	3,6	27,51	KXBCM603	132M/132SB	2	25914	7404
104,7	615	3,4	13,84	KXBCM603	132MA/132M	4	25882	7395
100,8	646	2,9	9,62	KXBCM603	160M	6	26105	7459
100,5	641	1,3	14,43	KXBCM403	132MA/132M	4	14354	4101
98,7	631	1,0	29,50	KXBCM403	132M/132SB	2	14502	4143

5.1 KXBC/KXAC GEARED MOTORS (50Hz)

7,50 kW

n ₂ [rpm]	M ₂ [Nm]	f _s	i	Gear reducer	Motor		Fr ₂ D-S-P [N]	Fr ₂ C [N]
					Size	Pole		
96,8	666	1,8	14,99	KXBCM503	132MA/132M	4	18853	5386
95,2	653	1,8	30,55	KXBCM503	132M/132SB	2	18999	5428
94,5	658	3,2	30,79	KXBCM603	132M/132SB	2	26676	7622
94,3	684	3,1	15,38	KXBCM603	132MA/132M	4	26583	7595
93,9	694	3,0	10,33	KXBCM603	160M	6	26580	7594
93,1	668	3,1	31,26	KXBCM603	132M/132SB	2	26779	7651
88,8	733	1,4	10,92	KXBCM503	160M	6	19256	5502
88,0	707	1,8	33,07	KXBCM503	132M/132SB	2	19396	5542
87,4	738	1,2	16,60	KXBCM403	132MA/132M	4	14765	4219
84,0	768	1,8	17,27	KXBCM503	132MA/132M	4	19556	5587
83,9	741	2,8	34,68	KXBCM603	132M/132SB	2	27484	7852
81,1	767	1,7	35,87	KXBCM503	132M/132SB	2	19807	5659
80,5	809	1,3	12,05	KXBCM503	160M	6	19743	5641
79,1	815	1,0	18,32	KXBCM403	132MA/132M	4	15045	4298
78,1	826	2,7	18,58	KXBCM603	132MA/132M	4	27840	7954
77,7	838	2,5	12,48	KXBCM603	160M	6	27830	7952
76,1	847	1,7	19,06	KXBCM503	132MA/132M	4	20046	5727
71,8	866	2,4	40,53	KXBCM603	132M/132SB	2	28539	8154
70,8	879	1,5	41,12	KXBCM503	132M/132SB	2	20500	5857
70,4	916	2,7	20,61	KXBCM603	132MA/132M	4	28528	8151
70,1	929	2,4	13,84	KXBCM603	160M	6	28513	8147
67,0	972	3,3	14,49	KXBCM703	160M	6	28074	28074
65,9	944	3,8	44,16	KXBCM703	132M/132SB	2	28331	28331
65,2	954	1,3	44,61	KXBCM503	132M/132SB	2	20912	5975
64,8	960	2,3	44,89	KXBCM603	132M/132SB	2	29226	8350
64,7	1006	1,3	14,99	KXBCM503	160M	6	20823	5949
63,7	1013	2,8	22,78	KXBCM603	132MA/132M	4	29185	8338
63,1	1032	2,1	15,38	KXBCM603	160M	6	29198	8342
61,5	1011	1,3	47,28	KXBCM503	132M/132SB	2	21207	6059
61,2	1054	1,3	23,70	KXBCM503	132MA/132M	4	21130	6037
60,2	1034	3,6	48,35	KXBCM703	132M/132SB	2	28996	28996
58,4	1065	2,3	49,80	KXBCM603	132M/132SB	2	29915	8547
57,9	1074	1,2	50,24	KXBCM503	132M/132SB	2	21512	6146
56,9	1144	2,9	17,04	KXBCM703	160M	6	29244	29244
56,2	1159	1,3	17,27	KXBCM503	160M	6	21518	6148
56,0	1151	2,4	25,89	KXBCM603	132MA/132M	4	30000	8574
54,9	1133	1,1	53,02	KXBCM503	132M/132SB	2	21783	6224
54,7	1179	1,3	26,51	KXBCM503	132MA/132M	4	21682	6195
54,7	1136	3,3	53,16	KXBCM703	132M/132SB	2	29695	29695
53,6	1161	2,1	54,30	KXBCM603	132M/132SB	2	30000	8709
53,3	1168	3,2	54,63	KXBCM703	132M/132SB	2	29896	29896
52,8	1220	3,8	27,44	KXBCM703	132MA/132M	4	29819	29819

5.1 KXBC/KXAC GEARED MOTORS (50Hz)

7,50 kW

n ₂ [rpm]	M ₂ [Nm]	f _s	i	Gear reducer	Motor		Fr ₂ D-S-P [N]	Fr ₂ C [N]
					Size	Pole		
52,7	1223	2,3	27,51	KXBCM603	132MA/132M	4	30000	8683
52,2	1247	1,9	18,58	KXBCM603	160M	6	30000	8684
52,0	1252	3,0	18,66	KXBCM703	160M	6	29897	29897
50,9	1279	1,1	19,06	KXBCM503	160M	6	21994	6284
49,7	1251	1,0	58,50	KXBCM503	132M/132SB	2	22000	6363
49,3	1262	3,0	59,02	KXBCM703	132M/132SB	2	30465	30465
49,0	1269	1,9	59,36	KXBCM603	132M/132SB	2	30000	8872
48,3	1336	3,5	30,05	KXBCM703	132MA/132M	4	30474	30474
47,5	1358	1,2	30,55	KXBCM503	132MA/132M	4	22000	6391
47,1	1383	1,9	20,61	KXBCM603	160M	6	30000	8864
47,1	1369	2,0	30,79	KXBCM603	132MA/132M	4	30000	8882
46,5	1338	1,8	62,59	KXBCM603	132M/132SB	2	30000	8967
46,4	1390	2,0	31,26	KXBCM603	132MA/132M	4	30000	8908
46,2	1409	3,0	21,00	KXBCM703	160M	6	30743	30743
44,9	1387	2,7	64,88	KXBCM703	132M/132SB	2	31160	31160
43,9	1470	1,2	33,07	KXBCM503	132MA/132M	4	22000	6497
43,9	1467	3,2	33,01	KXBCM703	132MA/132M	4	31149	31149
42,6	1529	1,9	22,78	KXBCM603	160M	6	30000	9032
42,6	1529	3,0	22,77	KXBCM703	160M	6	31320	31320
41,9	1484	1,7	69,43	KXBCM603	132M/132SB	2	30000	9149
41,8	1542	1,8	34,68	KXBCM603	132MA/132M	4	30000	9082
41,3	1506	2,5	70,43	KXBCM703	132M/132SB	2	31759	31759
40,9	1591	0,9	23,70	KXBCM503	160M	6	22000	6575
40,9	1521	3,9	71,15	KXBCM903	132M/132SB	2	55763	55763
40,4	1595	1,1	35,87	KXBCM503	132MA/132M	4	22000	6604
39,5	1630	2,9	36,67	KXBCM703	132MA/132M	4	31895	31895
39,1	1591	1,7	74,42	KXBCM603	132M/132SB	2	30000	9266
37,8	1720	2,8	25,63	KXBCM703	160M	6	32147	32147
37,7	1649	2,3	77,12	KXBCM703	132M/132SB	2	32413	32413
37,7	1651	3,6	77,22	KXBCM903	132M/132SB	2	57162	57162
37,5	1738	1,7	25,89	KXBCM603	160M	6	30000	9234
36,4	1711	1,5	80,04	KXBCM603	132M/132SB	2	30000	9384
36,0	1791	2,7	40,29	KXBCM703	132MA/132M	4	32552	32552
35,8	1802	1,6	40,53	KXBCM603	132MA/132M	4	30000	9327
35,3	1828	0,9	41,12	KXBCM503	132MA/132M	4	22000	6778
35,3	1846	1,6	27,51	KXBCM603	160M	6	30000	9324
35,3	1842	2,6	27,44	KXBCM703	160M	6	32618	32618
34,7	1793	3,3	83,89	KXBCM903	132M/132SB	2	58604	58604
34,0	1829	2,1	85,54	KXBCM703	132M/132SB	2	33150	33150
33,2	1874	3,2	87,65	KXBCM903	132M/132SB	2	59379	59379
32,8	1963	2,4	44,16	KXBCM703	132MA/132M	4	33179	33179
32,4	1921	1,4	89,87	KXBCM603	132M/132SB	2	30000	9561

5.1 KXBC/KXAC GEARED MOTORS (50Hz)

7,50 kW

n2 [rpm]	M2 [Nm]	fs	i	Gear reducer	Motor		Fr2 D-S-P [N]	Fr2 C [N]
					Size	Pole		
32,3	1996	1,5	44,89	KXBCM603	132MA/132M	4	30000	9473
32,3	2017	2,4	30,05	KXBCM703	160M	6	33229	33229
31,5	2067	1,4	30,79	KXBCM603	160M	6	30000	9480
31,3	1989	3,0	93,05	KXBCM903	132M/132SB	2	60447	60447
31,0	2098	1,4	31,26	KXBCM603	160M	6	30000	9500
30,9	2012	1,9	94,13	KXBCM703	132M/132SB	2	33815	33815
30,5	2113	3,8	47,53	KXBCM903	132MA/132M	4	60787	60787
30,0	2150	2,3	48,35	KXBCM703	132MA/132M	4	33782	33782
29,4	2216	2,2	33,01	KXBCM703	160M	6	33845	33845
29,2	2131	1,2	99,70	KXBCM603	132M/132SB	2	30000	9706
29,1	2214	1,4	49,80	KXBCM603	132MA/132M	4	30000	9608
28,8	2257	3,7	33,63	KXBCM903	160M	6	61770	61770
28,7	2248	3,6	50,56	KXBCM903	132MA/132M	4	61906	61906
28,2	2204	2,7	103,12	KXBCM903	132M/132SB	2	62316	62316
28,0	2328	1,3	34,68	KXBCM603	160M	6	30000	9626
27,7	2350	3,6	35,02	KXBCM903	160M	6	62506	62506
27,5	2262	1,7	105,83	KXBCM703	132M/132SB	2	34603	34603
27,3	2280	1,2	106,65	KXBCM603	132M/132SB	2	30000	9793
27,3	2363	2,1	53,16	KXBCM703	132MA/132M	4	34392	34392
26,7	2414	1,3	54,30	KXBCM603	132MA/132M	4	30000	9708
26,5	2461	2,0	36,67	KXBCM703	160M	6	34507	34507
26,5	2429	2,1	54,63	KXBCM703	132MA/132M	4	34562	34562
26,5	2429	3,3	54,64	KXBCM903	132MA/132M	4	63331	63331
26,0	2393	1,6	111,94	KXBCM703	132M/132SB	2	34968	34968
25,3	2546	3,1	57,27	KXBCM903	132MA/132M	4	64206	64206
25,0	2605	3,2	38,81	KXBCM903	160M	6	64407	64407
24,6	2624	1,9	59,02	KXBCM703	132MA/132M	4	35033	35033
24,4	2639	1,2	59,36	KXBCM603	132MA/132M	4	30000	9796
24,3	2557	1,0	119,60	KXBCM603	132M/132SB	2	30000	9922
24,1	2704	1,9	40,29	KXBCM703	160M	6	35068	35068
23,9	2720	1,1	40,53	KXBCM603	160M	6	30000	9779
23,8	2708	3,0	60,92	KXBCM903	132MA/132M	4	65000	65000
23,5	2648	2,3	123,88	KXBCM903	132M/132SB	2	65000	65000
23,4	2664	1,4	124,62	KXBCM703	132M/132SB	2	35639	35639
23,2	2782	1,2	62,59	KXBCM603	132MA/132M	4	30000	9842
22,9	2839	3,0	42,30	KXBCM903	160M	6	65000	65000
22,8	2822	2,8	63,47	KXBCM903	132MA/132M	4	65000	65000
22,3	2884	1,7	64,88	KXBCM703	132MA/132M	4	35580	35580
22,0	2964	1,7	44,16	KXBCM703	160M	6	35582	35582
21,7	2870	2,1	134,27	KXBCM903	132M/132SB	2	65000	65000
21,6	3013	1,0	44,89	KXBCM603	160M	6	30000	9853
21,3	2917	1,3	136,44	KXBCM703	132M/132SB	2	36173	36173

7,50 kW

n2 [rpm]	M2 [Nm]	fs	i	Gear reducer	Motor Size	Pole	Fr2 D-S-P [N]	Fr2 C [N]
20,9	3087	1,1	69,43	KXBCM603	132MA/132M	4	30000	9912
20,6	3131	1,6	70,43	KXBCM703	132MA/132M	4	36022	36022
20,4	3190	2,6	47,53	KXBCM903	160M	6	65000	65000
20,4	3163	2,5	71,15	KXBCM903	132MA/132M	4	65000	65000
20,1	3245	1,6	48,35	KXBCM703	160M	6	36052	36052
19,5	3343	1,0	49,80	KXBCM603	160M	6	30000	9901
19,5	3308	1,1	74,42	KXBCM603	132MA/132M	4	30000	9945
19,5	3198	1,2	149,59	KXBCM703	132M/132SB	2	36678	36678
19,5	3191	1,9	149,26	KXBCM903	132M/132SB	2	65000	65000
19,2	3394	2,5	50,56	KXBCM903	160M	6	65000	65000
19,0	3423	4,0	51,00	KXBCM1003	160M	6	80000	65000
18,8	3428	1,5	77,12	KXBCM703	132MA/132M	4	36472	36472
18,8	3433	2,3	77,22	KXBCM903	132MA/132M	4	65000	65000
18,2	3568	1,5	53,16	KXBCM703	160M	6	36497	36497
18,1	3600	3,8	53,63	KXBCM1003	160M	6	80000	65000
18,1	3558	1,0	80,04	KXBCM603	132MA/132M	4	30000	9964
17,9	3645	0,9	54,30	KXBCM603	160M	6	30000	9918
17,8	3667	1,4	54,63	KXBCM703	160M	6	36615	36615
17,8	3667	2,3	54,64	KXBCM903	160M	6	65000	65000
17,6	3536	1,7	165,42	KXBCM903	132M/132SB	2	65000	65000
17,5	3560	1,1	166,53	KXBCM703	132M/132SB	2	37212	37212
17,3	3729	2,1	83,89	KXBCM903	132MA/132M	4	65000	65000
17,0	3803	1,3	85,54	KXBCM703	132MA/132M	4	36927	36927
16,9	3844	2,2	57,27	KXBCM903	160M	6	65000	65000
16,5	3958	3,4	58,97	KXBCM1003	160M	6	80000	65000
16,5	3897	2,1	87,65	KXBCM903	132MA/132M	4	65000	65000
16,4	3961	1,3	59,02	KXBCM703	160M	6	36924	36924
15,9	4089	2,1	60,92	KXBCM903	160M	6	65000	65000
15,6	4137	1,9	93,05	KXBCM903	132MA/132M	4	65000	65000
15,4	4185	1,2	94,13	KXBCM703	132MA/132M	4	37282	37282
15,3	4260	2,0	63,47	KXBCM903	160M	6	65000	65000
15,0	4355	1,2	64,88	KXBCM703	160M	6	37242	37242
14,1	4584	1,7	103,12	KXBCM903	132MA/132M	4	65000	65000
13,9	4683	2,9	69,78	KXBCM1003	160M	6	80000	65000
13,8	4728	1,1	70,43	KXBCM703	160M	6	37457	37457
13,7	4705	1,1	105,83	KXBCM703	132MA/132M	4	37619	37619
13,6	4775	1,8	71,15	KXBCM903	160M	6	65000	65000
13,0	4976	1,0	111,94	KXBCM703	132MA/132M	4	37736	37736
12,6	5149	2,7	76,72	KXBCM1003	160M	6	80000	65000
12,6	5176	1,0	77,12	KXBCM703	160M	6	37622	37622
12,6	5183	1,6	77,22	KXBCM903	160M	6	65000	65000
11,7	5507	1,5	123,88	KXBCM903	132MA/132M	4	65000	65000

5.1 KXBC/KXAC GEARED MOTORS (50Hz)

7,50 kW

n2 [rpm]	M2 [Nm]	fs	i	Gear reducer	Motor Size	Pole	Fr2 D-S-P [N]	Fr2 C [N]
11,6	5540	0,9	124,62	KXBCM703	132MA/132M	4	37870	37870
11,6	5631	1,5	83,89	KXBCM903	160M	6	65000	65000
11,3	5742	0,9	85,54	KXBCM703	160M	6	37702	37702
11,1	5875	2,3	87,54	KXBCM1003	160M	6	80000	65000
11,1	5883	1,4	87,65	KXBCM903	160M	6	65000	65000
10,8	5969	1,3	134,27	KXBCM903	132MA/132M	4	65000	65000
10,4	6245	1,3	93,05	KXBCM903	160M	6	65000	65000
10,1	6460	2,1	96,25	KXBCM1003	160M	6	80000	65000
9,7	6636	1,2	149,26	KXBCM903	132MA/132M	4	65000	65000
9,4	6921	1,2	103,12	KXBCM903	160M	6	65000	65000
9,3	6976	2,0	103,93	KXBCM1003	160M	6	80000	65000
8,8	7354	1,1	165,42	KXBCM903	132MA/132M	4	65000	65000
8,5	7670	1,8	114,27	KXBCM1003	160M	6	80000	65000
7,8	8315	1,0	123,88	KXBCM903	160M	6	65000	65000
7,7	8476	1,6	126,29	KXBCM1003	160M	6	80000	65000
7,2	9012	0,9	134,27	KXBCM903	160M	6	65000	65000
7,0	9320	1,5	138,85	KXBCM1003	160M	6	80000	65000
6,3	10392	1,3	154,83	KXBCM1003	160M	6	80000	65000

9,20 kW

n2 [rpm]	M2 [Nm]	fs	i	Gear reducer	Motor Size	Pole	Fr2 D-S-P [N]	Fr2 C [N]
189,2	403	3,9	15,38	KXBCM603	132M/132MA	2	21768	6219
185,7	426	1,2	7,81	KXBCM403	132MB	4	12118	3462
182,0	434	3,5	7,97	KXBCM603	132MB	4	21927	6265
178,4	443	1,8	8,13	KXBCM503	132MB	4	15697	4485
168,5	453	2,3	17,27	KXBCM503	132M/132MA	2	15992	4569
168,2	470	1,3	8,62	KXBCM403	132MB	4	12399	3543
161,7	489	1,8	8,97	KXBCM503	132MB	4	16125	4607
156,7	487	3,4	18,58	KXBCM603	132M/132MA	2	22900	6543
152,7	500	2,1	19,06	KXBCM503	132M/132MA	2	16428	4694
150,7	525	3,4	9,62	KXBCM603	132MB	4	23049	6586
141,2	540	3,5	20,61	KXBCM603	132M/132MA	2	23531	6723
140,3	564	3,5	10,33	KXBCM603	132MB	4	23480	6708
138,2	572	1,1	10,49	KXBCM403	132MB	4	12944	3698
132,8	596	1,7	10,92	KXBCM503	132MB	4	16997	4856
127,7	597	3,5	22,78	KXBCM603	132M/132MA	2	24144	6898
125,1	632	1,2	11,59	KXBCM403	132MB	4	13210	3774
122,8	621	1,7	23,70	KXBCM503	132M/132MA	2	17411	4975
120,3	657	1,5	12,05	KXBCM503	132MB	4	17437	4982
116,2	681	2,9	12,48	KXBCM603	132MB	4	24616	7033
112,4	679	3,1	25,89	KXBCM603	132M/132MA	2	24929	7123

9,20 kW

n2 [rpm]	M2 [Nm]	fs	i	Gear reducer	Motor Size	Pole	Fr2 D-S-P [N]	Fr2 C [N]
105,8	721	2,9	27,51	KXBCM603	132M/132MA	2	25302	7229
104,7	755	2,8	13,84	KXBCM603	132MB	4	25241	7212
100,5	787	1,0	14,43	KXBCM403	132MB	4	13766	3933
100,1	790	3,9	14,49	KXBCM703	132MB	4	24782	24782
96,8	817	1,5	14,99	KXBCM503	132MB	4	18418	5262
95,2	801	1,5	30,55	KXBCM503	132M/132MA	2	18573	5307
94,5	807	2,6	30,79	KXBCM603	132M/132MA	2	25991	7426
94,3	839	2,5	15,38	KXBCM603	132MB	4	25871	7392
93,1	820	2,6	31,26	KXBCM603	132M/132MA	2	26083	7452
88,0	867	1,5	33,07	KXBCM503	132M/132MA	2	18935	5410
87,4	905	0,9	16,60	KXBCM403	132MB	4	14089	4025
85,1	929	3,4	17,04	KXBCM703	132MB	4	25842	25842
84,0	942	1,5	17,27	KXBCM503	132MB	4	19056	5445
83,9	909	2,3	34,68	KXBCM603	132M/132MA	2	26711	7632
81,1	941	1,4	35,87	KXBCM503	132M/132MA	2	19307	5516
79,4	962	3,7	36,67	KXBCM703	132M/132MA	2	26410	26410
78,1	1013	2,2	18,58	KXBCM603	132MB	4	26980	7709
77,7	1017	3,5	18,66	KXBCM703	132MB	4	26435	26435
76,1	1039	1,3	19,06	KXBCM503	132MB	4	19494	5570
72,2	1056	3,4	40,29	KXBCM703	132M/132MA	2	27037	27037
71,8	1063	2,0	40,53	KXBCM603	132M/132MA	2	27636	7896
70,8	1078	1,2	41,12	KXBCM503	132M/132MA	2	19927	5693
70,4	1124	2,2	20,61	KXBCM603	132MB	4	27573	7878
69,1	1145	3,5	21,00	KXBCM703	132MB	4	27208	27208
65,9	1158	3,1	44,16	KXBCM703	132M/132MA	2	27648	27648
65,2	1170	1,1	44,61	KXBCM503	132M/132MA	2	20290	5797
64,8	1177	1,9	44,89	KXBCM603	132M/132MA	2	28226	8064
63,7	1242	2,3	22,78	KXBCM603	132MB	4	28129	8037
63,7	1242	3,5	22,77	KXBCM703	132MB	4	27737	27737
61,5	1240	1,0	47,28	KXBCM503	132M/132MA	2	20548	5871
61,2	1292	1,1	23,70	KXBCM503	132MB	4	20443	5841
60,2	1268	3,0	48,35	KXBCM703	132M/132MA	2	28249	28249
58,4	1306	1,8	49,80	KXBCM603	132M/132MA	2	28806	8230
56,6	1398	3,3	25,63	KXBCM703	132MB	4	28500	28500
56,0	1412	2,0	25,89	KXBCM603	132MB	4	28809	8231
54,7	1446	1,0	26,51	KXBCM503	132MB	4	20914	5975
54,7	1394	2,7	53,16	KXBCM703	132M/132MA	2	28873	28873
53,6	1424	1,7	54,30	KXBCM603	132M/132MA	2	29271	8363
53,3	1432	2,6	54,63	KXBCM703	132M/132MA	2	29051	29051
52,8	1497	3,1	27,44	KXBCM703	132MB	4	28937	28937
52,7	1500	1,9	27,51	KXBCM603	132MB	4	29117	8319
50,8	1502	4,0	57,27	KXBCM903	132MA ⁽¹⁾	2	51785	51785

⁽¹⁾ Available only with brake motor (TBS)

9,20 kW

n ₂ [rpm]	M ₂ [Nm]	f _s	i	Gear reducer	Motor		Fr ₂ D-S-P [N]	Fr ₂ C [N]
					Size	Pole		
49,3	1548	2,4	59,02	KXBCM703	132M/132MA	2	29552	29552
49,0	1556	1,5	59,36	KXBCM603	132M/132MA	2	29730	8494
48,3	1639	2,9	30,05	KXBCM703	132MB	4	29508	29508
47,8	1598	3,8	60,92	KXBCM903	132M/132MA	2	52757	52757
47,5	1666	1,0	30,55	KXBCM503	132MB	4	21481	6138
47,1	1679	1,7	30,79	KXBCM603	132MB	4	29660	8474
46,5	1641	1,5	62,59	KXBCM603	132M/132MA	2	29991	8569
46,4	1705	1,6	31,26	KXBCM603	132MB	4	29729	8494
45,8	1664	3,6	63,47	KXBCM903	132M/132MA	2	53409	53409
44,9	1701	2,2	64,88	KXBCM703	132M/132MA	2	30157	30157
43,9	1803	0,9	33,07	KXBCM503	132MB	4	21782	6223
43,9	1800	2,6	33,01	KXBCM703	132MB	4	30087	30087
41,9	1821	1,4	69,43	KXBCM603	132M/132MA	2	30000	8707
41,8	1891	1,5	34,68	KXBCM603	132MB	4	30000	8623
41,3	1847	2,0	70,43	KXBCM703	132M/132MA	2	30670	30670
40,9	1866	3,2	71,15	KXBCM903	132M/132MA	2	55257	55257
39,5	2000	2,4	36,67	KXBCM703	132MB	4	30716	30716
39,1	1951	1,3	74,42	KXBCM603	132M/132MA	2	30000	8792
37,7	2022	1,9	77,12	KXBCM703	132M/132MA	2	31221	31221
37,7	2025	3,0	77,22	KXBCM903	132M/132MA	2	56613	56613
36,4	2099	1,3	80,04	KXBCM603	132M/132MA	2	30000	8875
36,0	2197	2,2	40,29	KXBCM703	132MB	4	31257	31257
35,8	2210	1,3	40,53	KXBCM603	132MB	4	30000	8790
34,7	2200	2,7	83,89	KXBCM903	132M/132MA	2	58007	58007
34,3	2307	3,5	42,30	KXBCM903	132MB	4	58089	58089
34,0	2243	1,7	85,54	KXBCM703	132M/132MA	2	31828	31828
33,2	2298	2,6	87,65	KXBCM903	132M/132MA	2	58756	58756
32,8	2408	2,0	44,16	KXBCM703	132MB	4	31759	31759
32,4	2356	1,1	89,87	KXBCM603	132M/132MA	2	30000	8989
32,3	2448	1,2	44,89	KXBCM603	132MB	4	30000	8879
31,3	2440	2,5	93,05	KXBCM903	132M/132MA	2	59785	59785
30,9	2468	1,5	94,13	KXBCM703	132M/132MA	2	32360	32360
30,5	2592	3,1	47,53	KXBCM903	132MB	4	60085	60085
30,0	2637	1,9	48,35	KXBCM703	132MB	4	32228	32228
29,2	2614	1,0	99,70	KXBCM603	132M/132MA	2	30000	9072
29,1	2716	1,2	49,80	KXBCM603	132MB	4	30000	8949
28,7	2757	2,9	50,56	KXBCM903	132MB	4	61158	61158
28,2	2704	2,2	103,12	KXBCM903	132M/132MA	2	61583	61583
27,5	2775	1,4	105,83	KXBCM703	132M/132MA	2	32967	32967
27,3	2899	1,7	53,16	KXBCM703	132MB	4	32683	32683
26,7	2961	1,1	54,30	KXBCM603	132MB	4	30000	8989
26,5	2979	1,7	54,63	KXBCM703	132MB	4	32806	32806

9,20 kW

n2 [rpm]	M2 [Nm]	fs	i	Gear reducer	Motor Size	Pole	Fr2 D-S-P [N]	Fr2 C [N]
26,5	2980	2,7	54,64	KXBCM903	132MB	4	62523	62523
26,0	2935	1,3	111,94	KXBCM703	132M/132MA	2	33238	33238
25,3	3123	2,6	57,27	KXBCM903	132MB	4	63359	63359
24,6	3218	1,6	59,02	KXBCM703	132MB	4	33136	33136
24,4	3237	1,0	59,36	KXBCM603	132MB	4	30000	9011
23,8	3322	2,4	60,92	KXBCM903	132MB	4	64467	64467
23,5	3248	1,8	123,88	KXBCM903	132M/132MA	2	64875	64875
23,4	3268	1,1	124,62	KXBCM703	132M/132MA	2	33713	33713
23,2	3413	1,0	62,59	KXBCM603	132MB	4	30000	9014
22,8	3461	2,3	63,47	KXBCM903	132MB	4	65000	65000
22,3	3538	1,4	64,88	KXBCM703	132MB	4	33494	33494
21,7	3521	1,7	134,27	KXBCM903	132M/132MA	2	65000	65000
21,3	3578	1,0	136,44	KXBCM703	132M/132MA	2	34064	34064
20,6	3841	1,3	70,43	KXBCM703	132MB	4	33758	33758
20,4	3880	2,1	71,15	KXBCM903	132MB	4	65000	65000
19,5	3914	1,5	149,26	KXBCM903	132M/132MA	2	65000	65000
18,8	4205	1,2	77,12	KXBCM703	132MB	4	33993	33993
18,8	4211	1,9	77,22	KXBCM903	132MB	4	65000	65000
17,6	4338	1,4	165,42	KXBCM903	132M/132MA	2	65000	65000
17,3	4575	1,7	83,89	KXBCM903	132MB	4	65000	65000
17,0	4665	1,1	85,54	KXBCM703	132MB	4	34177	34177
16,5	4780	1,7	87,65	KXBCM903	132MB	4	65000	65000
15,6	5074	1,6	93,05	KXBCM903	132MB	4	65000	65000
15,4	5133	1,0	94,13	KXBCM703	132MB	4	34256	34256
14,1	5623	1,4	103,12	KXBCM903	132MB	4	65000	65000
11,7	6755	1,2	123,88	KXBCM903	132MB	4	65000	65000
10,8	7322	1,1	134,27	KXBCM903	132MB	4	65000	65000
9,7	8140	1,0	149,26	KXBCM903	132MB	4	65000	65000

11,00 kW

n2 [rpm]	M2 [Nm]	fs	i	Gear reducer	Motor Size	Pole	Fr2 D-S-P [N]	Fr2 C [N]
233,2	391	3,8	12,48	KXBCM603	132MB ⁽¹⁾	2	20248	5785
210,2	434	3,6	13,84	KXBCM603	132MB ⁽¹⁾	2	20820	5949
189,2	482	3,3	15,38	KXBCM603	132MB ⁽¹⁾	2	21405	6116
184,4	513	1,0	7,81	KXBCM403	132MC ⁽¹⁾	4	11798	3371
180,8	523	2,9	7,97	KXBCM603	132MC/160MA/160S	4	21575	6164
177,2	534	1,5	8,13	KXBCM503	132MC/160MA/160S	4	15475	4422
167,0	566	1,1	8,62	KXBCM403	132MC ⁽¹⁾	4	12044	3441
160,6	589	1,5	8,97	KXBCM503	132MC/160MA/160S	4	15878	4537
156,7	582	2,8	18,58	KXBCM603	132MB ⁽¹⁾	2	22462	6418
149,7	632	2,8	9,62	KXBCM603	132MC/160MA/160S	4	22616	6462

⁽¹⁾ Available only with brake motor (TBS)

11,00 kW

n2 [rpm]	M2 [Nm]	fs	i	Gear reducer	Motor Size	Pole	Fr2 D-S-P [N]	Fr2 C [N]
141,2	646	2,9	20,61	KXBCM603	132MB ⁽¹⁾	2	23045	6584
139,3	678	2,9	10,33	KXBCM603	132MC/160MA/160S	4	23011	6575
137,2	689	0,9	10,49	KXBCM403	132MC ⁽¹⁾	4	12506	3573
131,9	717	1,4	10,92	KXBCM503	132MC/160MA/160S	4	16690	4769
127,7	714	2,9	22,78	KXBCM603	132MB ⁽¹⁾	2	23607	6745
124,3	761	1,0	11,59	KXBCM403	132MC ⁽¹⁾	4	12724	3635
121,8	784	2,0	7,97	KXBCM603	160L	6	23714	6775
121,3	779	4,0	11,87	KXBCM703	132MC/160S	4	23137	23137
119,5	791	1,3	12,05	KXBCM503	132MC/160MA/160S	4	17096	4885
119,4	800	1,0	8,13	KXBCM503	160L	6	17078	4879
115,4	819	2,4	12,48	KXBCM603	132MC/160MA/160S	4	24042	6869
112,4	812	2,6	25,89	KXBCM603	132MB ⁽¹⁾	2	24319	6948
108,2	883	1,1	8,97	KXBCM503	160L	6	17480	4994
105,8	863	2,4	27,51	KXBCM603	132MB ⁽¹⁾	2	24653	7044
104,0	909	2,3	13,84	KXBCM603	132MC/160MA/160S	4	24599	7028
100,8	947	2,0	9,62	KXBCM603	160L	6	24720	7063
99,4	951	3,3	14,49	KXBCM703	132MC/160MA/160S	4	24331	24331
96,9	942	3,7	30,05	KXBCM703	132MB ⁽¹⁾	2	24596	24596
96,1	984	1,2	14,99	KXBCM503	132MC/160MA/160S	4	17987	5139
94,5	965	2,2	30,79	KXBCM603	132MB ⁽¹⁾	2	25264	7218
93,9	1017	2,1	10,33	KXBCM603	160L	6	25092	7169
93,6	1010	2,1	15,38	KXBCM603	132MC/160MA/160S	4	25153	7186
93,1	980	2,1	31,26	KXBCM603	132MB ⁽¹⁾	2	25346	7242
89,5	1067	3,0	10,84	KXBCM703	160L	6	24927	24927
88,8	1075	1,0	10,92	KXBCM503	160L	6	18272	5221
88,2	1035	3,4	33,01	KXBCM703	132MB ⁽¹⁾	2	25170	25170
84,5	1119	2,9	17,04	KXBCM703	132MC/160MA/160S	4	25303	25303
83,9	1087	1,9	34,68	KXBCM603	132MB ⁽¹⁾	2	25893	7398
83,4	1134	1,2	17,27	KXBCM503	132MC/160MA/160S	4	18553	5301
81,7	1168	2,8	11,87	KXBCM703	160L	6	25464	25464
79,4	1150	3,1	36,67	KXBCM703	132MB ⁽¹⁾	2	25810	25810
77,7	1229	1,7	12,48	KXBCM603	160L	6	26034	7438
77,5	1220	1,8	18,58	KXBCM603	132MC/160MA/160S	4	26102	7458
77,2	1225	2,9	18,66	KXBCM703	132MC/160MA/160S	4	25841	25841
76,7	1245	3,8	12,64	KXBCM903	160L	6	45297	45297
75,6	1251	1,1	19,06	KXBCM503	132MC/160MA/160S	4	18936	5410
72,2	1263	2,8	40,29	KXBCM703	132MB ⁽¹⁾	2	26378	26378
71,8	1271	1,7	40,53	KXBCM603	132MB ⁽¹⁾	2	26680	7623
70,1	1363	1,6	13,84	KXBCM603	160L	6	26520	7577
69,9	1353	1,8	20,61	KXBCM603	132MC/160MA/160S	4	26594	7598
69,2	1379	3,8	14,01	KXBCM903	160L	6	46724	46724
68,6	1379	2,9	21,00	KXBCM703	132MC/160MA/160S	4	26533	26533

⁽¹⁾ Available only with brake motor (TBS)

11,00 kW

n2 [rpm]	M2 [Nm]	fs	i	Gear reducer	Motor Size	Pole	Fr2 D-S-P [N]	Fr2 C [N]
67,0	1426	2,3	14,49	KXBCM703	160L	6	26627	26627
65,9	1385	2,6	44,16	KXBCM703	132MB ⁽¹⁾	2	26925	26925
64,8	1407	1,6	44,89	KXBCM603	132MB ⁽¹⁾	2	27167	7762
63,2	1496	1,9	22,78	KXBCM603	132MC/160MA/160S	4	27042	7726
63,2	1495	2,9	22,77	KXBCM703	132MC/160MA/160S	4	27002	27002
63,1	1514	1,5	15,38	KXBCM603	160L	6	26984	7710
63,0	1516	3,5	15,40	KXBCM903	160L	6	48069	48069
62,2	1519	0,9	23,70	KXBCM503	160MA	4	19656	5616
60,2	1516	2,5	48,35	KXBCM703	132MB ⁽¹⁾	2	27458	27458
58,4	1561	1,5	49,80	KXBCM603	132MB ⁽¹⁾	2	27632	7895
57,6	1585	3,8	50,56	KXBCM903	132MB ⁽¹⁾	2	49487	49487
56,9	1678	2,0	17,04	KXBCM703	160L	6	27541	27541
56,2	1683	2,7	25,63	KXBCM703	132MC/160MA/160S	4	27666	27666
55,6	1700	1,6	25,89	KXBCM603	132MC/160MA/160S	4	27566	7876
54,7	1667	2,3	53,16	KXBCM703	132MB ⁽¹⁾	2	28003	28003
53,6	1702	1,4	54,30	KXBCM603	132MB ⁽¹⁾	2	27991	7997
53,3	1713	2,2	54,63	KXBCM703	132MB ⁽¹⁾	2	28157	28157
53,3	1713	3,5	54,64	KXBCM903	132MB ⁽¹⁾	2	50643	50643
52,5	1802	2,6	27,44	KXBCM703	132MC/160MA/160S	4	28041	28041
52,3	1806	1,6	27,51	KXBCM603	132MC/160MA/160S	4	27793	7941
52,3	1827	3,4	18,56	KXBCM903	160L	6	50804	50804
52,2	1829	1,3	18,58	KXBCM603	160L	6	27719	7920
52,0	1837	2,1	18,66	KXBCM703	160L	6	28032	28032
50,8	1796	3,3	57,27	KXBCM903	132MB ⁽¹⁾	2	51354	51354
49,3	1850	2,0	59,02	KXBCM703	132MB ⁽¹⁾	2	28587	28587
49,0	1861	1,3	59,36	KXBCM603	132MB ⁽¹⁾	2	28330	8094
47,9	1973	2,4	30,05	KXBCM703	132MC/160MA/160S	4	28521	28521
47,8	1910	3,1	60,92	KXBCM903	132MB ⁽¹⁾	2	52298	52298
47,2	2024	3,4	20,56	KXBCM903	160L	6	52359	52359
47,1	2029	1,3	20,61	KXBCM603	160L	6	28058	8017
46,8	2022	1,4	30,79	KXBCM603	132MC/160MA/160S	4	28171	8049
46,5	1962	1,3	62,59	KXBCM603	132MB ⁽¹⁾	2	28515	8147
46,2	2067	2,0	21,00	KXBCM703	160L	6	28645	28645
46,1	2053	1,4	31,26	KXBCM603	132MC/160MA/160S	4	28217	8062
45,8	1990	3,0	63,47	KXBCM903	132MB ⁽¹⁾	2	52931	52931
44,9	2034	1,8	64,88	KXBCM703	132MB ⁽¹⁾	2	29095	29095
43,6	2167	2,2	33,01	KXBCM703	132MC/160MA/160S	4	28998	28998
42,8	2208	3,6	33,63	KXBCM903	132MC/160MA/160S	4	53886	53886
42,6	2243	1,3	22,78	KXBCM603	160L	6	28332	8095
42,6	2242	2,1	22,77	KXBCM703	160L	6	29044	29044
41,9	2177	1,1	69,43	KXBCM603	132MB ⁽¹⁾	2	28837	8239
41,5	2277	1,2	34,68	KXBCM603	132MC/160MA/160S	4	28497	8142

⁽¹⁾ Available only with brake motor (TBS)

11,00 kW

n2 [rpm]	M2 [Nm]	fs	i	Gear reducer	Motor Size	Pole	Fr2 D-S-P [N]	Fr2 C [N]
41,3	2208	1,7	70,43	KXBCM703	132MB ⁽¹⁾	2	29518	29518
41,1	2299	3,5	35,02	KXBCM903	160MA/160S	4	54519	54519
40,9	2231	2,7	71,15	KXBCM903	132MB ⁽¹⁾	2	54722	54722
40,7	2349	3,0	23,86	KXBCM903	160L	6	54664	54664
39,3	2408	2,0	36,67	KXBCM703	132MC/160MA/160S	4	29500	29500
39,1	2333	1,1	74,42	KXBCM603	132MB ⁽¹⁾	2	29018	8291
38,5	2480	2,9	25,19	KXBCM903	160L	6	55521	55521
37,8	2523	1,9	25,63	KXBCM703	160L	6	29586	29586
37,7	2418	1,6	77,12	KXBCM703	132MB ⁽¹⁾	2	29959	29959
37,7	2421	2,5	77,22	KXBCM903	132MB ⁽¹⁾	2	56032	56032
37,5	2549	1,2	25,89	KXBCM603	160L	6	28592	8169
37,1	2548	3,1	38,81	KXBCM903	160MA/160S	4	56150	56150
36,4	2509	1,0	80,04	KXBCM603	132MB ⁽¹⁾	2	29174	8335
35,7	2645	1,8	40,29	KXBCM703	132MC/160MA/160S	4	29915	29915
35,5	2661	1,1	40,53	KXBCM603	132MC/160MA/160S	4	28788	8225
35,3	2708	1,1	27,51	KXBCM603	160L	6	28674	8193
35,3	2702	1,8	27,44	KXBCM703	160L	6	29876	29876
34,7	2630	2,3	83,89	KXBCM903	132MB ⁽¹⁾	2	57376	57376
34,4	2779	3,0	28,23	KXBCM903	160L	6	57351	57351
34,0	2682	1,4	85,54	KXBCM703	132MB ⁽¹⁾	2	30428	30428
34,0	2777	2,9	42,30	KXBCM903	132MC/160MA/160S	4	57540	57540
33,7	2835	3,8	28,80	KXBCM1003	160L	6	80000	65000
33,2	2748	2,2	87,65	KXBCM903	132MB ⁽¹⁾	2	58096	58096
32,6	2899	1,7	44,16	KXBCM703	132MC/160MA/160S	4	30283	30283
32,3	2958	1,7	30,05	KXBCM703	160L	6	30227	30227
32,1	2947	1,0	44,89	KXBCM603	132MC/160MA/160S	4	28879	8251
32,0	2988	2,8	30,35	KXBCM903	160L	6	58529	58529
31,5	3031	1,0	30,79	KXBCM603	160L	6	28747	8214
31,4	3044	4,0	30,92	KXBCM1003	160L	6	80000	65000
31,3	2917	2,1	93,05	KXBCM903	132MB ⁽¹⁾	2	59085	59085
31,0	3078	1,0	31,26	KXBCM603	160L	6	28749	8214
30,9	2951	1,3	94,13	KXBCM703	132MB ⁽¹⁾	2	30819	30819
30,3	3121	2,6	47,53	KXBCM903	132MC/160MA/160S	4	59455	59455
29,8	3175	1,6	48,35	KXBCM703	132MC/160MA/160S	4	30605	30605
29,4	3250	1,5	33,01	KXBCM703	160L	6	30547	30547
28,9	3270	1,0	49,80	KXBCM603	132MC/160MA/160S	4	28875	8250
28,8	3311	2,5	33,63	KXBCM903	160L	6	60224	60224
28,5	3320	2,4	50,56	KXBCM903	132MC/160MA/160S	4	60483	60483
28,3	3372	3,7	34,25	KXBCM1003	160L	6	80000	65000
28,2	3348	3,9	51,00	KXBCM1003	160MA/160S	4	80000	65000
28,2	3233	1,9	103,12	KXBCM903	132MB ⁽¹⁾	2	60807	60807
27,7	3447	2,4	35,02	KXBCM903	160L	6	60897	60897

⁽¹⁾ Available only with brake motor (TBS)

11,00 kW

n2 [rpm]	M2 [Nm]	fs	i	Gear reducer	Motor Size	Pole	Fr2 D-S-P [N]	Fr2 C [N]
27,5	3318	1,1	105,83	KXBCM703	132MB ⁽¹⁾	2	31235	31235
27,2	3480	0,9	54,30	KXBCM603	160MA	4	28821	8235
27,1	3490	1,4	53,16	KXBCM703	132MC/160MA/160S	4	30893	30893
26,9	3521	3,7	53,63	KXBCM1003	160MA/160S	4	80000	65000
26,5	3610	1,4	36,67	KXBCM703	160L	6	30842	30842
26,4	3587	1,4	54,63	KXBCM703	132MC/160MA/160S	4	30965	30965
26,4	3587	2,2	54,64	KXBCM903	132MC/160MA/160S	4	61784	61784
26,0	3510	1,1	111,94	KXBCM703	132MB ⁽¹⁾	2	31406	31406
25,8	3708	3,5	37,66	KXBCM1003	160L	6	80000	65000
25,1	3760	2,1	57,27	KXBCM903	132MC/160MA/160S	4	62580	62580
25,0	3820	2,2	38,81	KXBCM903	160L	6	62624	62624
24,4	3871	3,4	58,97	KXBCM1003	160MA/160S	4	80000	65000
24,4	3875	1,3	59,02	KXBCM703	132MC/160MA/160S	4	31141	31141
24,1	3966	1,3	40,29	KXBCM703	160L	6	31042	31042
23,9	4002	3,3	40,65	KXBCM1003	160L	6	80000	65000
23,6	4000	2,0	60,92	KXBCM903	132MC/160MA/160S	4	63631	63631
23,5	3884	1,5	123,88	KXBCM903	132MB ⁽¹⁾	2	63943	63943
22,9	4164	2,0	42,30	KXBCM903	160L	6	64086	64086
22,7	4167	1,9	63,47	KXBCM903	132MC/160MA/160S	4	64332	64332
22,2	4260	1,2	64,88	KXBCM703	132MC/160MA/160S	4	31294	31294
22,0	4347	1,2	44,16	KXBCM703	160L	6	31169	31169
21,7	4210	1,4	134,27	KXBCM903	132MB ⁽¹⁾	2	65000	65000
21,5	4439	2,8	45,09	KXBCM1003	160L	6	80000	65000
20,6	4581	2,8	69,78	KXBCM1003	160MA/160S	4	80000	65000
20,4	4624	1,1	70,43	KXBCM703	132MC/160MA/160S	4	31364	31364
20,4	4679	1,8	47,53	KXBCM903	160L	6	65000	65000
20,2	4671	1,7	71,15	KXBCM903	132MC/160MA/160S	4	65000	65000
20,1	4760	1,1	48,35	KXBCM703	160L	6	31221	31221
19,5	4680	1,3	149,26	KXBCM903	132MB ⁽¹⁾	2	65000	65000
19,2	4978	1,7	50,56	KXBCM903	160L	6	65000	65000
19,0	5021	2,7	51,00	KXBCM1003	160L	6	80000	65000
18,8	5037	2,6	76,72	KXBCM1003	160MA/160S	4	80000	65000
18,7	5063	1,0	77,12	KXBCM703	132MC/160MA/160S	4	31365	31365
18,6	5070	1,6	77,22	KXBCM903	132MC/160MA/160S	4	65000	65000
18,2	5233	1,0	53,16	KXBCM703	160L	6	31186	31186
18,1	5279	2,6	53,63	KXBCM1003	160L	6	80000	65000
17,8	5378	1,0	54,63	KXBCM703	160L	6	31157	31157
17,8	5379	1,6	54,64	KXBCM903	160L	6	65000	65000
17,6	5186	1,2	165,42	KXBCM903	132MB ⁽¹⁾	2	65000	65000
17,2	5483	0,9	85,54	KXBCM703	160MA	4	31291	31291
17,2	5508	1,5	83,89	KXBCM903	132MC/160MA/160S	4	65000	65000
16,9	5638	1,5	57,27	KXBCM903	160L	6	65000	65000

⁽¹⁾ Available only with brake motor (TBS)

11,00 kW

n2 [rpm]	M2 [Nm]	fs	i	Gear reducer	Motor Size	Pole	Fr2 D-S-P [N]	Fr2 C [N]
16,5	5805	2,4	58,97	KXBCM1003	160L	6	80000	65000
16,5	5747	2,3	87,54	KXBCM1003	160MA/160S	4	80000	65000
16,4	5810	0,9	59,02	KXBCM703	160L	6	31026	31026
16,4	5755	1,4	87,65	KXBCM903	132MC/160MA/160S	4	65000	65000
15,9	5997	1,4	60,92	KXBCM903	160L	6	65000	65000
15,5	6109	1,3	93,05	KXBCM903	132MC/160MA/160S	4	65000	65000
15,3	6248	1,3	63,47	KXBCM903	160L	6	65000	65000
15,0	6319	2,1	96,25	KXBCM1003	160MA/160S	4	80000	65000
14,0	6770	1,2	103,12	KXBCM903	132MC/160MA/160S	4	65000	65000
13,9	6869	2,0	69,78	KXBCM1003	160L	6	80000	65000
13,9	6824	1,9	103,93	KXBCM1003	160MA/160S	4	80000	65000
13,6	7004	1,2	71,15	KXBCM903	160L	6	65000	65000
12,6	7552	1,8	76,72	KXBCM1003	160L	6	80000	65000
12,6	7503	1,7	114,27	KXBCM1003	160MA/160S	4	80000	65000
12,6	7602	1,1	77,22	KXBCM903	160L	6	65000	65000
11,6	8258	1,0	83,89	KXBCM903	160L	6	65000	65000
11,6	8133	1,0	123,88	KXBCM903	132MC/160MA/160S	4	65000	65000
11,4	8292	1,6	126,29	KXBCM1003	160MA/160S	4	80000	65000
11,1	8617	1,6	87,54	KXBCM1003	160L	6	80000	65000
11,1	8629	1,0	87,65	KXBCM903	160L	6	65000	65000
10,7	8815	0,9	134,27	KXBCM903	132MC/160MA/160S	4	65000	65000
10,4	9117	1,4	138,85	KXBCM1003	160MA/160S	4	80000	65000
10,4	9160	0,9	93,05	KXBCM903	160L	6	65000	65000
10,1	9475	1,4	96,25	KXBCM1003	160L	6	80000	65000
9,3	10231	1,3	103,93	KXBCM1003	160L	6	80000	65000
9,3	10166	1,3	154,83	KXBCM1003	160MA/160S	4	80000	65000
8,5	11249	1,2	114,27	KXBCM1003	160L	6	80000	65000
7,7	12432	1,1	126,29	KXBCM1003	160L	6	80000	65000
7,0	13669	1,0	138,85	KXBCM1003	160L	6	80000	65000

15,00 kW

n2 [rpm]	M2 [Nm]	fs	i	Gear reducer	Motor Size	Pole	Fr2 D-S-P [N]	Fr2 C [N]
185,2	696	2,2	7,97	KXBCM603	160LA	4	20589	5883
181,5	710	1,1	8,13	KXBCM503	160LA	4	14833	4238
164,5	784	1,1	8,97	KXBCM503	160LA	4	15179	4337
153,3	841	2,1	9,62	KXBCM603	160LA	4	21453	6129
142,7	903	2,2	10,33	KXBCM603	160LA	4	21771	6220
136,1	947	3,2	10,84	KXBCM703	160LA	4	21649	21649
135,1	955	1,0	10,92	KXBCM503	160LA	4	15859	4531
124,3	1037	3,0	11,87	KXBCM703	160LA	4	22112	22112
123,0	1058	1,5	7,97	KXBCM603	180L ⁽²⁾	6	22361	6389

⁽²⁾ With TBS brake motor, please contact our Technical Sales Support

15,00 kW

n2 [rpm]	M2 [Nm]	fs	i	Gear reducer	Motor Size	Pole	Fr2 D-S-P [N]	Fr2 C [N]
122,4	1053	0,9	12,05	KXBCM503	160LA	4	16189	4626
118,2	1091	1,8	12,48	KXBCM603	160LA	4	22574	6450
106,5	1210	1,7	13,84	KXBCM603	160LA	4	22988	6568
101,9	1278	1,5	9,62	KXBCM603	180L ⁽²⁾	6	23100	6600
101,8	1266	2,4	14,49	KXBCM703	160LA	4	23110	23110
98,4	1310	0,9	14,99	KXBCM503	160LA	4	16885	4824
95,9	1345	1,6	15,38	KXBCM603	160LA	4	23379	6680
95,8	1346	3,7	15,40	KXBCM903	160LA	4	41822	41822
94,8	1373	1,5	10,33	KXBCM603	180L ⁽²⁾	6	23356	6673
93,4	1394	3,4	10,49	KXBCM903	180L ⁽²⁾	6	42116	42116
90,4	1440	2,2	10,84	KXBCM703	180L ⁽²⁾	6	23641	23641
86,6	1489	2,1	17,04	KXBCM703	160LA	4	23893	23893
85,4	1510	0,9	17,27	KXBCM503	160LA	4	17301	4943
82,6	1577	2,1	11,87	KXBCM703	180L ⁽²⁾	6	24062	24062
79,5	1622	3,7	18,56	KXBCM903	160LA	4	44196	44196
79,4	1624	1,4	18,58	KXBCM603	160LA	4	23995	6856
79,1	1631	2,2	18,66	KXBCM703	160LA	4	24312	24312
78,5	1658	1,3	12,48	KXBCM603	180L ⁽²⁾	6	23952	6843
77,5	1680	2,8	12,64	KXBCM903	180L ⁽²⁾	6	44499	44499
71,7	1797	3,6	20,56	KXBCM903	160LA	4	45545	45545
71,6	1801	1,4	20,61	KXBCM603	160LA	4	24275	6936
70,8	1840	1,2	13,84	KXBCM603	180L ⁽²⁾	6	24218	6920
70,2	1835	2,2	21,00	KXBCM703	160LA	4	24832	24832
69,9	1862	2,8	14,01	KXBCM903	180L ⁽²⁾	6	45852	45852
67,7	1925	1,7	14,49	KXBCM703	180L ⁽²⁾	6	24931	24931
64,8	1990	2,2	22,77	KXBCM703	160LA	4	25171	25171
64,7	1991	1,4	22,78	KXBCM603	160LA	4	24497	6999
63,7	2044	1,1	15,38	KXBCM603	180L ⁽²⁾	6	24435	6981
63,6	2046	2,6	15,40	KXBCM903	180L ⁽²⁾	6	47121	47121
61,8	2085	3,2	23,86	KXBCM903	160LA	4	47544	47544
58,6	2202	3,1	25,19	KXBCM903	160LA	4	48287	48287
57,6	2240	2,1	25,63	KXBCM703	160LA	4	25627	25627
57,5	2264	1,5	17,04	KXBCM703	180L ⁽²⁾	6	25559	25559
57,0	2263	1,2	25,89	KXBCM603	160LA	4	24699	7057
53,7	2399	1,9	27,44	KXBCM703	160LA	4	25870	25870
53,6	2405	1,2	27,51	KXBCM603	160LA	4	24758	7074
52,8	2468	0,9	18,58	KXBCM603	180L ⁽²⁾	6	24657	7045
52,8	2465	2,6	18,56	KXBCM903	180L ⁽²⁾	6	49686	49686
52,5	2479	1,5	18,66	KXBCM703	180L ⁽²⁾	6	25869	25869
52,2	2468	3,2	28,23	KXBCM903	160LA	4	49873	49873
49,1	2626	1,8	30,05	KXBCM703	160LA	4	26162	26162
48,6	2653	3,0	30,35	KXBCM903	160LA	4	50894	50894

⁽²⁾ With TBS brake motor, please contact our Technical Sales Support

15,00 kW

n2 [rpm]	M2 [Nm]	fs	i	Gear reducer	Motor Size	Pole	Fr2 D-S-P [N]	Fr2 C [N]
47,9	2692	1,0	30,79	KXBCM603	160LA	4	24796	7085
47,7	2732	2,5	20,56	KXBCM903	180L ⁽²⁾	6	51133	51133
47,6	2738	1,0	20,61	KXBCM603	180L ⁽²⁾	6	24671	7049
47,2	2733	1,0	31,26	KXBCM603	160LA	4	24794	7084
46,7	2790	1,5	21,00	KXBCM703	180L ⁽²⁾	6	26220	26220
44,7	2916	3,7	21,94	KXBCM1003	180L ⁽²⁾	6	80000	65000
44,7	2885	1,6	33,01	KXBCM703	160LA	4	26424	26424
43,9	2940	2,7	33,63	KXBCM903	160LA	4	52362	52362
43,1	2994	4,0	34,25	KXBCM1003	160LA	4	80000	65000
43,0	3027	1,0	22,78	KXBCM603	180L ⁽²⁾	6	24597	7028
43,0	3026	1,5	22,77	KXBCM703	180L ⁽²⁾	6	26421	26421
42,5	3032	0,9	34,68	KXBCM603	160LA	4	24722	7063
42,1	3061	2,6	35,02	KXBCM903	160LA	4	52944	52944
41,1	3170	2,2	23,86	KXBCM903	180L ⁽²⁾	6	53262	53262
40,5	3212	3,4	24,17	KXBCM1003	180L ⁽²⁾	6	80000	65000
40,2	3205	1,5	36,67	KXBCM703	160LA	4	26662	26662
39,2	3292	3,7	37,66	KXBCM1003	160LA	4	80000	65000
38,9	3347	2,1	25,19	KXBCM903	180L ⁽²⁾	6	54049	54049
38,2	3405	1,4	25,63	KXBCM703	180L ⁽²⁾	6	26644	26644
38,0	3392	2,4	38,81	KXBCM903	160LA	4	54439	54439
36,9	3531	3,3	26,58	KXBCM1003	180L ⁽²⁾	6	80000	65000
36,6	3522	1,4	40,29	KXBCM703	160LA	4	26816	26816
36,3	3553	3,6	40,65	KXBCM1003	160LA	4	80000	65000
35,7	3646	1,3	27,44	KXBCM703	180L ⁽²⁾	6	26732	26732
34,9	3697	2,2	42,30	KXBCM903	160LA	4	55704	55704
34,7	3751	2,2	28,23	KXBCM903	180L ⁽²⁾	6	55717	55717
34,0	3827	2,8	28,80	KXBCM1003	180L ⁽²⁾	6	80000	65000
33,4	3860	1,2	44,16	KXBCM703	160LA	4	26906	26906
32,7	3941	3,0	45,09	KXBCM1003	160LA	4	80000	65000
32,6	3992	1,2	30,05	KXBCM703	180L ⁽²⁾	6	26793	26793
32,3	4032	2,1	30,35	KXBCM903	180L ⁽²⁾	6	56783	56783
31,7	4109	2,9	30,92	KXBCM1003	180L ⁽²⁾	6	80000	65000
31,0	4155	1,9	47,53	KXBCM903	160LA	4	57433	57433
30,5	4226	1,2	48,35	KXBCM703	160LA	4	26929	26929
29,7	4386	1,1	33,01	KXBCM703	180L ⁽²⁾	6	26783	26783
29,2	4419	1,8	50,56	KXBCM903	160LA	4	58353	58353
29,1	4469	1,9	33,63	KXBCM903	180L ⁽²⁾	6	58306	58306
28,9	4458	2,9	51,00	KXBCM1003	160LA	4	80000	65000
28,6	4551	2,7	34,25	KXBCM1003	180L ⁽²⁾	6	80000	65000
28,0	4653	1,8	35,02	KXBCM903	180L ⁽²⁾	6	58905	58905
27,7	4646	1,1	53,16	KXBCM703	160LA	4	26873	26873
27,5	4688	2,8	53,63	KXBCM1003	160LA	4	80000	65000

⁽²⁾ With TBS brake motor, please contact our Technical Sales Support

15,00 kW

n2 [rpm]	M2 [Nm]	fs	i	Gear reducer	Motor Size	Pole	Fr2 D-S-P [N]	Fr2 C [N]
27,0	4775	1,0	54,63	KXBCM703	160LA	4	26840	26840
27,0	4776	1,7	54,64	KXBCM903	160LA	4	59512	59512
26,7	4873	1,0	36,67	KXBCM703	180L ⁽²⁾	6	26671	26671
26,0	5004	2,6	37,66	KXBCM1003	180L ⁽²⁾	6	80000	65000
25,8	5006	1,6	57,27	KXBCM903	160LA	4	60215	60215
25,3	5156	1,6	38,81	KXBCM903	180L ⁽²⁾	6	60434	60434
25,0	5154	2,5	58,97	KXBCM1003	160LA	4	80000	65000
25,0	5158	1,0	59,02	KXBCM703	160LA	4	26703	26703
24,3	5353	0,9	40,29	KXBCM703	180L ⁽²⁾	6	26469	26469
24,2	5325	1,5	60,92	KXBCM903	160LA	4	61139	61139
24,1	5402	2,5	40,65	KXBCM1003	180L ⁽²⁾	6	80000	65000
23,2	5620	1,5	42,30	KXBCM903	180L ⁽²⁾	6	61713	61713
23,2	5548	1,4	63,47	KXBCM903	160LA	4	61750	61750
21,7	5991	2,1	45,09	KXBCM1003	180L ⁽²⁾	6	80000	65000
21,1	6099	2,1	69,78	KXBCM1003	160LA	4	80000	65000
20,7	6219	1,3	71,15	KXBCM903	160LA	4	63449	63449
20,6	6316	1,3	47,53	KXBCM903	180L ⁽²⁾	6	63440	63440
19,4	6718	1,3	50,56	KXBCM903	180L ⁽²⁾	6	64347	64347
19,2	6776	2,0	51,00	KXBCM1003	180L ⁽²⁾	6	80000	65000
19,2	6706	1,9	76,72	KXBCM1003	160LA	4	80000	65000
19,1	6750	1,2	77,22	KXBCM903	160LA	4	64660	64660
18,3	7126	1,9	53,63	KXBCM1003	180L ⁽²⁾	6	80000	65000
17,9	7260	1,2	54,64	KXBCM903	180L ⁽²⁾	6	65000	65000
17,6	7332	1,1	83,89	KXBCM903	160LA	4	65000	65000
17,1	7610	1,1	57,27	KXBCM903	180L ⁽²⁾	6	65000	65000
16,9	7651	1,7	87,54	KXBCM1003	160LA	4	80000	65000
16,8	7661	1,0	87,65	KXBCM903	160LA	4	65000	65000
16,6	7835	1,7	58,97	KXBCM1003	180L ⁽²⁾	6	80000	65000
16,1	8095	1,0	60,92	KXBCM903	180L ⁽²⁾	6	65000	65000
15,9	8133	1,0	93,05	KXBCM903	160LA	4	65000	65000
15,4	8434	1,0	63,47	KXBCM903	180L ⁽²⁾	6	65000	65000
15,3	8413	1,5	96,25	KXBCM1003	160LA	4	80000	65000
14,2	9084	1,4	103,93	KXBCM1003	160LA	4	80000	65000
14,0	9271	1,5	69,78	KXBCM1003	180L ⁽²⁾	6	80000	65000
12,9	9988	1,3	114,27	KXBCM1003	160LA	4	80000	65000
12,8	10194	1,3	76,72	KXBCM1003	180L ⁽²⁾	6	80000	65000
11,7	11038	1,2	126,29	KXBCM1003	160LA	4	80000	65000
11,2	11631	1,2	87,54	KXBCM1003	180L ⁽²⁾	6	80000	65000
10,6	12137	1,1	138,85	KXBCM1003	160LA	4	80000	65000
10,2	12788	1,1	96,25	KXBCM1003	180L ⁽²⁾	6	80000	65000
9,5	13533	1,0	154,83	KXBCM1003	160LA	4	80000	65000
9,4	13809	1,0	103,93	KXBCM1003	180L ⁽²⁾	6	80000	65000

⁽²⁾ With TBS brake motor, please contact our Technical Sales Support

18,50 kW

n2 [rpm]	M2 [Nm]	fs	i	Gear reducer	Motor		Fr2 D-S-P [N]	Fr2 C [N]
					Size	Pole		
184,5	862	1,7	7,97	KXBCM603	180M ⁽²⁾	4	19856	5673
152,8	1041	1,7	9,62	KXBCM603	180M ⁽²⁾	4	20563	5875
142,2	1118	1,8	10,33	KXBCM603	180M ⁽²⁾	4	20814	5947
140,1	1135	4,0	10,49	KXBCM903	180M ⁽²⁾	4	36966	36966
135,6	1172	2,6	10,84	KXBCM703	180M ⁽²⁾	4	20959	20959
123,9	1284	2,4	11,87	KXBCM703	180M ⁽²⁾	4	21354	21354
117,8	1350	1,5	12,48	KXBCM603	180M ⁽²⁾	4	21414	6118
116,3	1367	3,3	12,64	KXBCM903	180M ⁽²⁾	4	39075	39075
106,2	1498	1,4	13,84	KXBCM603	180M ⁽²⁾	4	21698	6200
104,9	1515	3,3	14,01	KXBCM903	180M ⁽²⁾	4	40275	40275
101,5	1567	2,0	14,49	KXBCM703	180M ⁽²⁾	4	22181	22181
95,6	1664	1,3	15,38	KXBCM603	180M ⁽²⁾	4	21945	6270
95,5	1666	3,0	15,40	KXBCM903	180M ⁽²⁾	4	41402	41402
93,4	1719	2,7	10,49	KXBCM903	200LA ⁽²⁾	6	41639	41639
90,4	1776	1,8	10,84	KXBCM703	200LA ⁽²⁾	6	22569	22569
86,3	1843	1,7	17,04	KXBCM703	180M ⁽²⁾	4	22796	22796
82,6	1945	1,7	11,87	KXBCM703	200LA ⁽²⁾	6	22889	22889
79,2	2007	3,0	18,56	KXBCM903	180M ⁽²⁾	4	43683	43683
79,1	2009	1,1	18,58	KXBCM603	180M ⁽²⁾	4	22258	6359
78,8	2018	1,8	18,66	KXBCM703	180M ⁽²⁾	4	23109	23109
77,5	2072	2,3	12,64	KXBCM903	200LA ⁽²⁾	6	43924	43924
71,5	2224	2,9	20,56	KXBCM903	180M ⁽²⁾	4	44973	44973
71,3	2229	1,1	20,61	KXBCM603	180M ⁽²⁾	4	22345	6384
70,0	2271	1,8	21,00	KXBCM703	180M ⁽²⁾	4	23476	23476
69,9	2296	2,3	14,01	KXBCM903	200LA ⁽²⁾	6	45215	45215
67,7	2374	1,4	14,49	KXBCM703	200LA ⁽²⁾	6	23498	23498
64,6	2463	1,8	22,77	KXBCM703	180M ⁽²⁾	4	23698	23698
64,5	2464	1,1	22,78	KXBCM603	180M ⁽²⁾	4	22361	6389
63,6	2524	2,1	15,40	KXBCM903	200LA ⁽²⁾	6	46421	46421
61,6	2581	2,6	23,86	KXBCM903	180M ⁽²⁾	4	46874	46874
59,8	2685	3,9	16,39	KXBCM1003	200LA ⁽²⁾	6	75172	65000
58,4	2724	2,5	25,19	KXBCM903	180M ⁽²⁾	4	47578	47578
57,5	2793	1,2	17,04	KXBCM703	200LA ⁽²⁾	6	23873	23873
57,4	2772	1,7	25,63	KXBCM703	180M ⁽²⁾	4	23967	23967
56,8	2800	1,0	25,89	KXBCM603	180M ⁽²⁾	4	22268	6362
55,3	2875	3,9	26,58	KXBCM1003	180M ⁽²⁾	4	76928	65000
54,4	2952	3,7	18,02	KXBCM1003	200LA ⁽²⁾	6	77244	65000
53,6	2968	1,5	27,44	KXBCM703	180M ⁽²⁾	4	24090	24090
53,4	2976	0,9	27,51	KXBCM603	180M ⁽²⁾	4	22173	6335
52,8	3041	2,1	18,56	KXBCM903	200LA ⁽²⁾	6	48842	48842
52,5	3057	1,2	18,66	KXBCM703	200LA ⁽²⁾	6	24024	24024
52,1	3054	2,6	28,23	KXBCM903	180M ⁽²⁾	4	49073	49073

(2) With TBS brake motor, please contact our Technical Sales Support

18,50 kW

n2 [rpm]	M2 [Nm]	fs	i	Gear reducer	Motor		Fr2 D-S-P [N]	Fr2 C [N]
					Size	Pole		
51,0	3115	3,3	28,80	KXBCM1003	180M ⁽²⁾	4	78709	65000
49,1	3270	3,4	19,96	KXBCM1003	200LA ⁽²⁾	6	79518	65000
48,9	3250	1,4	30,05	KXBCM703	180M ⁽²⁾	4	24210	24210
48,4	3283	2,4	30,35	KXBCM903	180M ⁽²⁾	4	50031	50031
47,7	3370	2,0	20,56	KXBCM903	200LA ⁽²⁾	6	50198	50198
47,5	3345	3,4	30,92	KXBCM1003	180M ⁽²⁾	4	80000	65000
46,7	3441	1,2	21,00	KXBCM703	200LA ⁽²⁾	6	24143	24143
44,7	3596	3,0	21,94	KXBCM1003	200LA ⁽²⁾	6	80000	65000
44,5	3571	1,3	33,01	KXBCM703	180M ⁽²⁾	4	24278	24278
43,7	3638	2,2	33,63	KXBCM903	180M ⁽²⁾	4	51401	51401
43,0	3732	1,2	22,77	KXBCM703	200LA ⁽²⁾	6	24169	24169
42,9	3705	3,2	34,25	KXBCM1003	180M ⁽²⁾	4	80000	65000
42,0	3788	2,1	35,02	KXBCM903	180M ⁽²⁾	4	51942	51942
41,1	3910	1,8	23,86	KXBCM903	200LA ⁽²⁾	6	52177	52177
40,5	3961	2,8	24,17	KXBCM1003	200LA ⁽²⁾	6	80000	65000
40,1	3967	1,2	36,67	KXBCM703	180M ⁽²⁾	4	24274	24274
39,0	4074	3,0	37,66	KXBCM1003	180M ⁽²⁾	4	80000	65000
38,9	4128	1,7	25,19	KXBCM903	200LA ⁽²⁾	6	52903	52903
38,2	4200	1,2	25,63	KXBCM703	200LA ⁽²⁾	6	24110	24110
37,9	4198	1,9	38,81	KXBCM903	180M ⁽²⁾	4	53324	53324
36,9	4355	2,7	26,58	KXBCM1003	200LA ⁽²⁾	6	80000	65000
36,5	4358	1,1	40,29	KXBCM703	180M ⁽²⁾	4	24190	24190
36,2	4397	2,9	40,65	KXBCM1003	180M ⁽²⁾	4	80000	65000
35,7	4497	1,1	27,44	KXBCM703	200LA ⁽²⁾	6	24018	24018
34,8	4575	1,7	42,30	KXBCM903	180M ⁽²⁾	4	54484	54484
34,7	4626	1,8	28,23	KXBCM903	200LA ⁽²⁾	6	54433	54433
34,0	4720	2,3	28,80	KXBCM1003	200LA ⁽²⁾	6	80000	65000
33,3	4777	1,0	44,16	KXBCM703	180M ⁽²⁾	4	24025	24025
32,6	4877	2,5	45,09	KXBCM1003	180M ⁽²⁾	4	80000	65000
32,6	4924	1,0	30,05	KXBCM703	200LA ⁽²⁾	6	23821	23821
32,3	4973	1,7	30,35	KXBCM903	200LA ⁽²⁾	6	55403	55403
31,7	5068	2,4	30,92	KXBCM1003	200LA ⁽²⁾	6	80000	65000
30,9	5142	1,6	47,53	KXBCM903	180M ⁽²⁾	4	56057	56057
30,4	5230	1,0	48,35	KXBCM703	180M ⁽²⁾	4	23772	23772
29,7	5409	0,9	33,01	KXBCM703	200LA ⁽²⁾	6	23518	23518
29,1	5512	1,5	33,63	KXBCM903	200LA ⁽²⁾	6	56776	56776
29,1	5469	1,5	50,56	KXBCM903	180M ⁽²⁾	4	56886	56886
28,8	5517	2,4	51,00	KXBCM1003	180M ⁽²⁾	4	80000	65000
28,6	5613	2,2	34,25	KXBCM1003	200LA ⁽²⁾	6	80000	65000
28,0	5738	1,5	35,02	KXBCM903	200LA ⁽²⁾	6	57313	57313
27,4	5801	2,2	53,63	KXBCM1003	180M ⁽²⁾	4	80000	65000
26,9	5910	1,4	54,64	KXBCM903	180M ⁽²⁾	4	57922	57922

(2) With TBS brake motor, please contact our Technical Sales Support

18,50 kW

n2 [rpm]	M2 [Nm]	fs	i	Gear reducer	Motor Size	Pole	Fr2 D-S-P [N]	Fr2 C [N]
26,0	6172	2,1	37,66	KXBCM1003	200LA ⁽²⁾	6	80000	65000
25,7	6195	1,3	57,27	KXBCM903	180M ⁽²⁾	4	58546	58546
25,3	6360	1,3	38,81	KXBCM903	200LA ⁽²⁾	6	58669	58669
24,9	6378	2,0	58,97	KXBCM1003	180M ⁽²⁾	4	80000	65000
24,1	6662	2,0	40,65	KXBCM1003	200LA ⁽²⁾	6	80000	65000
24,1	6590	1,2	60,92	KXBCM903	180M ⁽²⁾	4	59360	59360
23,2	6931	1,2	42,30	KXBCM903	200LA ⁽²⁾	6	59789	59789
23,2	6866	1,2	63,47	KXBCM903	180M ⁽²⁾	4	59896	59896
21,7	7389	1,7	45,09	KXBCM1003	200LA ⁽²⁾	6	80000	65000
21,1	7547	1,7	69,78	KXBCM1003	180M ⁽²⁾	4	80000	65000
20,7	7696	1,0	71,15	KXBCM903	180M ⁽²⁾	4	61364	61364
20,6	7789	1,1	47,53	KXBCM903	200LA ⁽²⁾	6	61278	61278
19,4	8286	1,0	50,56	KXBCM903	200LA ⁽²⁾	6	62047	62047
19,2	8358	1,6	51,00	KXBCM1003	200LA ⁽²⁾	6	80000	65000
19,2	8298	1,6	76,72	KXBCM1003	180M ⁽²⁾	4	80000	65000
19,0	8353	1,0	77,22	KXBCM903	180M ⁽²⁾	4	62391	62391
18,3	8788	1,6	53,63	KXBCM1003	200LA ⁽²⁾	6	80000	65000
17,9	8954	0,9	54,64	KXBCM903	200LA ⁽²⁾	6	62991	62991
16,8	9469	1,4	87,54	KXBCM1003	180M ⁽²⁾	4	80000	65000
16,6	9663	1,4	58,97	KXBCM1003	200LA ⁽²⁾	6	80000	65000
15,3	10411	1,2	96,25	KXBCM1003	180M ⁽²⁾	4	80000	65000
14,1	11242	1,2	103,93	KXBCM1003	180M ⁽²⁾	4	80000	65000
14,0	11434	1,2	69,78	KXBCM1003	200LA ⁽²⁾	6	80000	65000
12,9	12361	1,1	114,27	KXBCM1003	180M ⁽²⁾	4	80000	65000
12,8	12572	1,1	76,72	KXBCM1003	200LA ⁽²⁾	6	80000	65000
11,6	13660	1,0	126,29	KXBCM1003	180M ⁽²⁾	4	80000	65000
11,2	14345	1,0	87,54	KXBCM1003	200LA ⁽²⁾	6	80000	65000

22,00 kW

n2 [rpm]	M2 [Nm]	fs	i	Gear reducer	Motor Size	Pole	Fr2 D-S-P [N]	Fr2 C [N]
184,5	1025	1,5	7,97	KXBCM603	180L ⁽²⁾	4	19106	5459
152,8	1237	1,5	9,62	KXBCM603	180L ⁽²⁾	4	19658	5617
142,2	1329	1,5	10,33	KXBCM603	180L ⁽²⁾	4	19842	5669
140,1	1350	3,3	10,49	KXBCM903	180L ⁽²⁾	4	36651	36651
135,6	1394	2,2	10,84	KXBCM703	180L ⁽²⁾	4	20251	20251
123,9	1527	2,0	11,87	KXBCM703	180L ⁽²⁾	4	20579	20579
117,8	1605	1,2	12,48	KXBCM603	180L ⁽²⁾	4	20241	5783
116,3	1626	2,8	12,64	KXBCM903	180L ⁽²⁾	4	38696	38696
106,2	1781	1,2	13,84	KXBCM603	180L ⁽²⁾	4	20396	5827
104,9	1802	2,8	14,01	KXBCM903	180L ⁽²⁾	4	39855	39855
101,5	1863	1,7	14,49	KXBCM703	180L ⁽²⁾	4	21235	21235

⁽²⁾ With TBS brake motor, please contact our Technical Sales Support

22,00 kW

n2 [rpm]	M2 [Nm]	fs	i	Gear reducer	Motor Size	Pole	Fr2 D-S-P [N]	Fr2 C [N]
95,6	1979	1,1	15,38	KXBCM603	180L ⁽²⁾	4	20498	5856
95,5	1981	2,5	15,40	KXBCM903	180L ⁽²⁾	4	40939	40939
93,4	2045	2,3	10,49	KXBCM903	200LB ⁽²⁾	6	41162	41162
90,4	2112	1,5	10,84	KXBCM703	200LB ⁽²⁾	6	21497	21497
86,3	2192	1,5	17,04	KXBCM703	180L ⁽²⁾	4	21684	21684
82,6	2313	3,5	11,87	KXBCM1003	200LB ⁽²⁾	6	67760	65000
82,6	2313	1,4	11,87	KXBCM703	200LB ⁽²⁾	6	21715	21715
79,2	2387	2,5	18,56	KXBCM903	180L ⁽²⁾	4	43126	43126
79,1	2389	0,9	18,58	KXBCM603	180L ⁽²⁾	4	20510	5860
78,8	2400	1,5	18,66	KXBCM703	180L ⁽²⁾	4	21891	21891
77,5	2464	1,9	12,64	KXBCM903	200LB ⁽²⁾	6	43349	43349
76,5	2496	3,7	12,81	KXBCM1003	200LB ⁽²⁾	6	69268	65000
71,5	2645	2,5	20,56	KXBCM903	180L ⁽²⁾	4	44355	44355
71,3	2651	0,9	20,61	KXBCM603	180L ⁽²⁾	4	20406	5830
70,0	2701	1,5	21,00	KXBCM703	180L ⁽²⁾	4	22105	22105
69,9	2730	1,9	14,01	KXBCM903	200LB ⁽²⁾	6	44578	44578
69,6	2745	3,7	14,08	KXBCM1003	200LB ⁽²⁾	6	71175	65000
67,7	2823	1,2	14,49	KXBCM703	200LB ⁽²⁾	6	22065	22065
67,0	2823	3,7	21,94	KXBCM1003	180L ⁽²⁾	4	71998	65000
64,6	2929	1,5	22,77	KXBCM703	180L ⁽²⁾	4	22211	22211
64,5	2930	1,0	22,78	KXBCM603	180L ⁽²⁾	4	20218	5777
63,6	3001	1,7	15,40	KXBCM903	200LB ⁽²⁾	6	45720	45720
63,1	3025	3,5	15,52	KXBCM1003	200LB ⁽²⁾	6	73163	65000
61,6	3069	2,2	23,86	KXBCM903	180L ⁽²⁾	4	46158	46158
60,8	3109	3,4	24,17	KXBCM1003	180L ⁽²⁾	4	73993	65000
59,8	3193	3,3	16,39	KXBCM1003	200LB ⁽²⁾	6	74284	65000
58,4	3240	2,1	25,19	KXBCM903	180L ⁽²⁾	4	46821	46821
57,5	3321	1,0	17,04	KXBCM703	200LB ⁽²⁾	6	22188	22188
57,4	3297	1,4	25,63	KXBCM703	180L ⁽²⁾	4	22294	22294
55,3	3419	3,2	26,58	KXBCM1003	180L ⁽²⁾	4	75978	65000
54,4	3511	3,1	18,02	KXBCM1003	200LB ⁽²⁾	6	76268	65000
53,6	3530	1,3	27,44	KXBCM703	180L ⁽²⁾	4	22298	22298
52,8	3616	1,7	18,56	KXBCM903	200LB ⁽²⁾	6	47998	47998
52,5	3636	1,0	18,66	KXBCM703	200LB ⁽²⁾	6	22178	22178
52,1	3631	2,2	28,23	KXBCM903	180L ⁽²⁾	4	48226	48226
51,0	3705	2,8	28,80	KXBCM1003	180L ⁽²⁾	4	77679	65000
49,1	3889	2,9	19,96	KXBCM1003	200LB ⁽²⁾	6	78437	65000
48,9	3865	1,2	30,05	KXBCM703	180L ⁽²⁾	4	22249	22249
48,4	3904	2,0	30,35	KXBCM903	180L ⁽²⁾	4	49120	49120
47,7	4007	1,7	20,56	KXBCM903	200LB ⁽²⁾	6	49263	49263
47,5	3978	2,9	30,92	KXBCM1003	180L ⁽²⁾	4	79200	65000
46,7	4092	1,0	21,00	KXBCM703	200LB ⁽²⁾	6	22067	22067

(2) With TBS brake motor, please contact our Technical Sales Support

22,00 kW

n2 [rpm]	M2 [Nm]	fs	i	Gear reducer	Motor Size	Pole	Fr2 D-S-P [N]	Fr2 C [N]
44,7	4276	2,6	21,94	KXBCM1003	200LB ⁽²⁾	6	80000	65000
44,5	4246	1,1	33,01	KXBCM703	180L ⁽²⁾	4	22123	22123
43,7	4326	1,8	33,63	KXBCM903	180L ⁽²⁾	4	50392	50392
43,0	4438	1,0	22,77	KXBCM703	200LB ⁽²⁾	6	21916	21916
42,9	4406	2,7	34,25	KXBCM1003	180L ⁽²⁾	4	80000	65000
42,0	4504	1,8	35,02	KXBCM903	180L ⁽²⁾	4	50891	50891
41,1	4649	1,5	23,86	KXBCM903	200LB ⁽²⁾	6	51092	51092
40,5	4711	2,3	24,17	KXBCM1003	200LB ⁽²⁾	6	80000	65000
40,1	4717	1,0	36,67	KXBCM703	180L ⁽²⁾	4	21880	21880
39,0	4845	2,5	37,66	KXBCM1003	180L ⁽²⁾	4	80000	65000
38,9	4908	1,5	25,19	KXBCM903	200LB ⁽²⁾	6	51758	51758
38,2	4994	1,0	25,63	KXBCM703	200LB ⁽²⁾	6	21575	21575
37,9	4992	1,6	38,81	KXBCM903	180L ⁽²⁾	4	52159	52159
36,9	5179	2,3	26,58	KXBCM1003	200LB ⁽²⁾	6	80000	65000
36,5	5183	0,9	40,29	KXBCM703	180L ⁽²⁾	4	21560	21560
36,2	5229	2,4	40,65	KXBCM1003	180L ⁽²⁾	4	80000	65000
35,7	5348	0,9	27,44	KXBCM703	200LB ⁽²⁾	6	21303	21303
34,8	5441	1,5	42,30	KXBCM903	180L ⁽²⁾	4	53215	53215
34,7	5502	1,5	28,23	KXBCM903	200LB ⁽²⁾	6	53149	53149
34,0	5612	1,9	28,80	KXBCM1003	200LB ⁽²⁾	6	80000	65000
32,6	5800	2,1	45,09	KXBCM1003	180L ⁽²⁾	4	80000	65000
32,3	5914	1,4	30,35	KXBCM903	200LB ⁽²⁾	6	54023	54023
31,7	6026	2,0	30,92	KXBCM1003	200LB ⁽²⁾	6	80000	65000
30,9	6114	1,3	47,53	KXBCM903	180L ⁽²⁾	4	54630	54630
29,1	6554	1,3	33,63	KXBCM903	200LB ⁽²⁾	6	55246	55246
29,1	6504	1,2	50,56	KXBCM903	180L ⁽²⁾	4	55368	55368
28,8	6560	2,0	51,00	KXBCM1003	180L ⁽²⁾	4	80000	65000
28,6	6675	1,9	34,25	KXBCM1003	200LB ⁽²⁾	6	80000	65000
28,0	6824	1,2	35,02	KXBCM903	200LB ⁽²⁾	6	55720	55720
27,4	6898	1,9	53,63	KXBCM1003	180L ⁽²⁾	4	80000	65000
26,9	7029	1,1	54,64	KXBCM903	180L ⁽²⁾	4	56282	56282
26,0	7339	1,8	37,66	KXBCM1003	200LB ⁽²⁾	6	80000	65000
25,7	7367	1,1	57,27	KXBCM903	180L ⁽²⁾	4	56827	56827
25,3	7563	1,1	38,81	KXBCM903	200LB ⁽²⁾	6	56904	56904
24,9	7585	1,7	58,97	KXBCM1003	180L ⁽²⁾	4	80000	65000
24,1	7922	1,7	40,65	KXBCM1003	200LB ⁽²⁾	6	80000	65000
24,1	7837	1,0	60,92	KXBCM903	180L ⁽²⁾	4	57531	57531
23,2	8242	1,0	42,30	KXBCM903	200LB ⁽²⁾	6	57866	57866
23,2	8164	1,0	63,47	KXBCM903	180L ⁽²⁾	4	57990	57990
21,7	8787	1,4	45,09	KXBCM1003	200LB ⁽²⁾	6	80000	65000
21,1	8975	1,4	69,78	KXBCM1003	180L ⁽²⁾	4	80000	65000
20,6	9263	0,9	47,53	KXBCM903	200LB ⁽²⁾	6	59116	59116

(2) With TBS brake motor, please contact our Technical Sales Support

22,00 kW

n2 [rpm]	M2 [Nm]	fs	i	Gear reducer	Motor Size	Pole	Fr2 D-S-P [N]	Fr2 C [N]
19,2	9939	1,4	51,00	KXBCM1003	200LB ⁽²⁾	6	80000	65000
19,2	9868	1,3	76,72	KXBCM1003	180L ⁽²⁾	4	80000	65000
18,3	10451	1,3	53,63	KXBCM1003	200LB ⁽²⁾	6	80000	65000
16,8	11260	1,2	87,54	KXBCM1003	180L ⁽²⁾	4	80000	65000
16,6	11491	1,2	58,97	KXBCM1003	200LB ⁽²⁾	6	80000	65000
15,3	12380	1,1	96,25	KXBCM1003	180L ⁽²⁾	4	80000	65000
14,1	13369	1,0	103,93	KXBCM1003	180L ⁽²⁾	4	80000	65000
14,0	13598	1,0	69,78	KXBCM1003	200LB ⁽²⁾	6	80000	65000
12,8	14951	0,9	76,72	KXBCM1003	200LB ⁽²⁾	6	80000	65000

30,00 kW

n2 [rpm]	M2 [Nm]	fs	i	Gear reducer	Motor Size	Pole	Fr2 D-S-P [N]	Fr2 C [N]
140,6	1834	2,5	10,49	KXBCM903	200L ⁽²⁾	4	35897	35897
136,1	1895	1,6	10,84	KXBCM703	200L ⁽²⁾	4	18627	18627
124,3	2075	3,7	11,87	KXBCM1003	200L ⁽²⁾	4	59114	59114
124,3	2075	1,5	11,87	KXBCM703	200L ⁽²⁾	4	18802	18802
116,7	2210	2,0	12,64	KXBCM903	200L ⁽²⁾	4	37793	37793
115,2	2239	3,9	12,81	KXBCM1003	200L ⁽²⁾	4	60424	60424
105,3	2449	2,0	14,01	KXBCM903	200L ⁽²⁾	4	38858	38858
104,7	2462	3,9	14,08	KXBCM1003	200L ⁽²⁾	4	62080	62080
101,8	2532	1,2	14,49	KXBCM703	200L ⁽²⁾	4	19071	19071
95,8	2692	1,9	15,40	KXBCM903	200L ⁽²⁾	4	39847	39847
95,0	2713	3,7	15,52	KXBCM1003	200L ⁽²⁾	4	63806	63806
90,0	2864	3,5	16,39	KXBCM1003	200L ⁽²⁾	4	64778	64778
86,6	2979	1,1	17,04	KXBCM703	200L ⁽²⁾	4	19141	19141
81,9	3149	3,3	18,02	KXBCM1003	200L ⁽²⁾	4	66499	65000
79,5	3244	1,8	18,56	KXBCM903	200L ⁽²⁾	4	41817	41817
79,1	3262	1,1	18,66	KXBCM703	200L ⁽²⁾	4	19109	19109
73,9	3489	3,1	19,96	KXBCM1003	200L ⁽²⁾	4	68378	65000
71,7	3595	1,8	20,56	KXBCM903	200L ⁽²⁾	4	42908	42908
70,2	3670	1,1	21,00	KXBCM703	200L ⁽²⁾	4	18978	18978
67,2	3836	2,7	21,94	KXBCM1003	200L ⁽²⁾	4	70141	65000
64,8	3981	1,1	22,77	KXBCM703	200L ⁽²⁾	4	18821	18821
61,8	4171	1,6	23,86	KXBCM903	200L ⁽²⁾	4	44485	44485
61,0	4226	2,5	24,17	KXBCM1003	200L ⁽²⁾	4	71953	65000
58,6	4403	1,5	25,19	KXBCM903	200L ⁽²⁾	4	45057	45057
57,6	4480	1,0	25,63	KXBCM703	200L ⁽²⁾	4	18481	18481
55,5	4646	2,4	26,58	KXBCM1003	200L ⁽²⁾	4	73741	65000
53,7	4797	1,0	27,44	KXBCM703	200L ⁽²⁾	4	18218	18218
52,2	4935	1,6	28,23	KXBCM903	200L ⁽²⁾	4	46253	46253
51,2	5035	2,0	28,80	KXBCM1003	200L ⁽²⁾	4	75261	65000

⁽²⁾ With TBS brake motor, please contact our Technical Sales Support

5.1 KXBC/KXAC GEARED MOTORS (50Hz)

30,00 kW

n2 [rpm]	M2 [Nm]	fs	i	Gear reducer	Motor Size	Pole	Fr2 D-S-P [N]	Fr2 C [N]
48,6	5305	1,5	30,35	KXBCM903	200L ⁽²⁾	4	47002	47002
47,7	5406	2,1	30,92	KXBCM1003	200L ⁽²⁾	4	76609	65000
43,9	5879	1,4	33,63	KXBCM903	200L ⁽²⁾	4	48050	48050
43,1	5988	2,0	34,25	KXBCM1003	200L ⁽²⁾	4	78546	65000
42,1	6122	1,3	35,02	KXBCM903	200L ⁽²⁾	4	48454	48454
39,2	6584	1,9	37,66	KXBCM1003	200L ⁽²⁾	4	80000	65000
38,0	6784	1,2	38,81	KXBCM903	200L ⁽²⁾	4	49463	49463
36,3	7107	1,8	40,65	KXBCM1003	200L ⁽²⁾	4	80000	65000
34,9	7394	1,1	42,30	KXBCM903	200L ⁽²⁾	4	50281	50281
32,7	7883	1,5	45,09	KXBCM1003	200L ⁽²⁾	4	80000	65000
31,0	8309	1,0	47,53	KXBCM903	200L ⁽²⁾	4	51338	51338
29,2	8839	0,9	50,56	KXBCM903	200L ⁽²⁾	4	51870	51870
28,9	8915	1,5	51,00	KXBCM1003	200L ⁽²⁾	4	80000	65000
27,5	9375	1,4	53,63	KXBCM1003	200L ⁽²⁾	4	80000	65000
25,0	10308	1,3	58,97	KXBCM1003	200L ⁽²⁾	4	80000	65000
21,1	12198	1,1	69,78	KXBCM1003	200L ⁽²⁾	4	80000	65000
19,2	13411	1,0	76,72	KXBCM1003	200L ⁽²⁾	4	80000	65000

37,00 kW

n2 [rpm]	M2 [Nm]	fs	i	Gear reducer	Motor Size	Pole	Fr2 D-S-P [N]	Fr2 C [N]
167,0	1904	3,6	8,89	KXBCM1003	225S ⁽²⁾	4	53581	53581
141,5	2247	2,0	10,49	KXBCM903	225S ⁽²⁾	4	35205	35205
140,4	2265	3,5	10,58	KXBCM1003	225S ⁽²⁾	4	56303	56303
125,1	2542	3,0	11,87	KXBCM1003	225S ⁽²⁾	4	58158	58158
117,5	2707	1,7	12,64	KXBCM903	225S ⁽²⁾	4	36972	36972
115,9	2743	3,2	12,81	KXBCM1003	225S ⁽²⁾	4	59400	59400
106,0	3000	1,7	14,01	KXBCM903	225S ⁽²⁾	4	37955	37955
105,4	3016	3,2	14,08	KXBCM1003	225S ⁽²⁾	4	60964	60964
96,4	3298	1,5	15,40	KXBCM903	225S ⁽²⁾	4	38861	38861
95,7	3324	3,0	15,52	KXBCM1003	225S ⁽²⁾	4	62586	62586
90,6	3509	2,8	16,39	KXBCM1003	225S ⁽²⁾	4	63497	63497
82,4	3858	2,7	18,02	KXBCM1003	225S ⁽²⁾	4	65101	65000
80,0	3974	1,5	18,56	KXBCM903	225S ⁽²⁾	4	40642	40642
74,4	4274	2,5	19,96	KXBCM1003	225S ⁽²⁾	4	66841	65000
72,2	4404	1,5	20,56	KXBCM903	225S ⁽²⁾	4	41614	41614
67,7	4699	2,2	21,94	KXBCM1003	225S ⁽²⁾	4	68462	65000
62,2	5109	1,3	23,86	KXBCM903	225S ⁽²⁾	4	42995	42995
61,4	5177	2,0	24,17	KXBCM1003	225S ⁽²⁾	4	70115	65000
59,0	5394	1,3	25,19	KXBCM903	225S ⁽²⁾	4	43489	43489
55,9	5692	2,0	26,58	KXBCM1003	225S ⁽²⁾	4	71732	65000
52,6	6046	1,3	28,23	KXBCM903	225S ⁽²⁾	4	44505	44505

(2) With TBS brake motor, please contact our Technical Sales Support

37,00 kW

n2 [rpm]	M2 [Nm]	fs	i	Gear reducer	Motor Size	Pole	Fr2 D-S-P [N]	Fr2 C [N]
51,6	6168	1,7	28,80	KXBCM1003	225S ⁽²⁾	4	73094	65000
48,9	6499	1,2	30,35	KXBCM903	225S ⁽²⁾	4	45129	45129
48,0	6622	1,7	30,92	KXBCM1003	225S ⁽²⁾	4	74292	65000
44,2	7203	1,1	33,63	KXBCM903	225S ⁽²⁾	4	45983	45983
43,4	7335	1,6	34,25	KXBCM1003	225S ⁽²⁾	4	75993	65000
42,4	7499	1,1	35,02	KXBCM903	225S ⁽²⁾	4	46306	46306
39,4	8065	1,5	37,66	KXBCM1003	225S ⁽²⁾	4	77542	65000
38,3	8311	1,0	38,81	KXBCM903	225S ⁽²⁾	4	47092	47092
36,5	8706	1,5	40,65	KXBCM1003	225S ⁽²⁾	4	78763	65000
32,9	9656	1,2	45,09	KXBCM1003	225S ⁽²⁾	4	80000	65000
29,1	10922	1,2	51,00	KXBCM1003	225S ⁽²⁾	4	80000	65000
27,7	11485	1,1	53,63	KXBCM1003	225S ⁽²⁾	4	80000	65000
25,2	12627	1,0	58,97	KXBCM1003	225S ⁽²⁾	4	80000	65000

45,00 kW

n2 [rpm]	M2 [Nm]	fs	i	Gear reducer	Motor Size	Pole	Fr2 D-S-P [N]	Fr2 C [N]
167,0	2316	2,9	8,89	KXBCM1003	225M ⁽²⁾	4	52862	52862
141,5	2733	1,6	10,49	KXBCM903	225M ⁽²⁾	4	34492	34492
140,4	2754	2,9	10,58	KXBCM1003	225M ⁽²⁾	4	55447	55447
125,1	3091	2,5	11,87	KXBCM1003	225M ⁽²⁾	4	57198	57198
117,5	3293	1,4	12,64	KXBCM903	225M ⁽²⁾	4	36114	36114
115,9	3336	2,6	12,81	KXBCM1003	225M ⁽²⁾	4	58364	58364
106,0	3649	1,4	14,01	KXBCM903	225M ⁽²⁾	4	37003	37003
105,4	3668	2,6	14,08	KXBCM1003	225M ⁽²⁾	4	59825	59825
96,4	4011	1,2	15,40	KXBCM903	225M ⁽²⁾	4	37815	37815
95,7	4043	2,5	15,52	KXBCM1003	225M ⁽²⁾	4	61331	61331
90,6	4268	2,3	16,39	KXBCM1003	225M ⁽²⁾	4	62171	62171
82,4	4692	2,2	18,02	KXBCM1003	225M ⁽²⁾	4	63643	63643
80,0	4833	1,2	18,56	KXBCM903	225M ⁽²⁾	4	39382	39382
74,4	5198	2,1	19,96	KXBCM1003	225M ⁽²⁾	4	65226	65000
72,2	5356	1,2	20,56	KXBCM903	225M ⁽²⁾	4	40217	40217
67,7	5715	1,8	21,94	KXBCM1003	225M ⁽²⁾	4	66687	65000
62,2	6214	1,1	23,86	KXBCM903	225M ⁽²⁾	4	41375	41375
61,4	6296	1,7	24,17	KXBCM1003	225M ⁽²⁾	4	68160	65000
59,0	6560	1,0	25,19	KXBCM903	225M ⁽²⁾	4	41778	41778
55,9	6922	1,6	26,58	KXBCM1003	225M ⁽²⁾	4	69582	65000
52,6	7353	1,1	28,23	KXBCM903	225M ⁽²⁾	4	42587	42587
51,6	7501	1,4	28,80	KXBCM1003	225M ⁽²⁾	4	70764	65000
48,9	7904	1,0	30,35	KXBCM903	225M ⁽²⁾	4	43068	43068
48,0	8054	1,4	30,92	KXBCM1003	225M ⁽²⁾	4	71790	65000
44,2	8760	0,9	33,63	KXBCM903	225M ⁽²⁾	4	43698	43698

⁽²⁾ With TBS brake motor, please contact our Technical Sales Support

45,00 kW

n2 [rpm]	M2 [Nm]	fs	i	Gear reducer	Motor Size	Motor Pole	Fr2 D-S-P [N]	Fr2 C [N]
43,4	8921	1,3	34,25	KXBCM1003	225M ⁽²⁾	4	73222	65000
39,4	9809	1,3	37,66	KXBCM1003	225M ⁽²⁾	4	74495	65000
36,5	10588	1,2	40,65	KXBCM1003	225M ⁽²⁾	4	75474	65000
32,9	11744	1,0	45,09	KXBCM1003	225M ⁽²⁾	4	76723	65000
29,1	13283	1,0	51,00	KXBCM1003	225M ⁽²⁾	4	78067	65000
27,7	13968	0,9	53,63	KXBCM1003	225M ⁽²⁾	4	78565	65000

55,00 kW

n2 [rpm]	M2 [Nm]	fs	i	Gear reducer	Motor Size	Motor Pole	Fr2 D-S-P [N]	Fr2 C [N]
167,0	2831	2,4	8,89	KXBCM1003	250M ⁽²⁾	4	51963	51963
140,4	3367	2,3	10,58	KXBCM1003	250M ⁽²⁾	4	54378	54378
125,1	3778	2,0	11,87	KXBCM1003	250M ⁽²⁾	4	55998	55998
115,9	4078	2,2	12,81	KXBCM1003	250M ⁽²⁾	4	57069	57069
105,4	4483	2,1	14,08	KXBCM1003	250M ⁽²⁾	4	58401	58401
95,7	4941	2,0	15,52	KXBCM1003	250M ⁽²⁾	4	59761	59761
90,6	5216	1,9	16,39	KXBCM1003	250M ⁽²⁾	4	60514	60514
82,4	5735	1,8	18,02	KXBCM1003	250M ⁽²⁾	4	61821	61821
74,4	6353	1,7	19,96	KXBCM1003	250M ⁽²⁾	4	63208	63208
67,7	6985	1,5	21,94	KXBCM1003	250M ⁽²⁾	4	64468	64468
61,4	7695	1,4	24,17	KXBCM1003	250M ⁽²⁾	4	65715	65000
55,9	8461	1,3	26,58	KXBCM1003	250M ⁽²⁾	4	66894	65000
51,6	9168	1,1	28,80	KXBCM1003	250M ⁽²⁾	4	67852	65000
48,0	9844	1,2	30,92	KXBCM1003	250M ⁽²⁾	4	68663	65000
43,4	10904	1,1	34,25	KXBCM1003	250M ⁽²⁾	4	69758	65000
39,4	11989	1,0	37,66	KXBCM1003	250M ⁽²⁾	4	70686	65000
36,5	12941	1,0	40,65	KXBCM1003	250M ⁽²⁾	4	71363	65000

75,00 kW

n2 [rpm]	M2 [Nm]	fs	i	Gear reducer	Motor Size	Motor Pole	Fr2 D-S-P [N]	Fr2 C [N]
167,0	3860	1,8	8,89	KXBCM1003	280S ⁽²⁾	4	50164	50164
140,4	4591	1,7	10,58	KXBCM1003	280S ⁽²⁾	4	52239	52239
125,1	5152	1,5	11,87	KXBCM1003	280S ⁽²⁾	4	53597	53597
115,9	5560	1,6	12,81	KXBCM1003	280S ⁽²⁾	4	54478	54478
105,4	6113	1,6	14,08	KXBCM1003	280S ⁽²⁾	4	55553	55553
95,7	6738	1,5	15,52	KXBCM1003	280S ⁽²⁾	4	56622	56622
90,6	7113	1,4	16,39	KXBCM1003	280S ⁽²⁾	4	57200	57200
82,4	7821	1,3	18,02	KXBCM1003	280S ⁽²⁾	4	58177	58177
67,7	9526	1,1	21,94	KXBCM1003	280S ⁽²⁾	4	60029	60029
61,4	10493	1,0	24,17	KXBCM1003	280S ⁽²⁾	4	60826	60826

⁽²⁾ With TBS brake motor, please contact our Technical Sales Support

75,00 kW

n2 [rpm]	M2 [Nm]	fs	i	Gear reducer	Motor Size	Pole	Fr2 D-S-P [N]	Fr2 C [N]
55,9	11537	1,0	26,58	KXBCM1003	280S ⁽²⁾	4	61519	61519

90,00 kW

n2 [rpm]	M2 [Nm]	fs	i	Gear reducer	Motor Size	Pole	Fr2 D-S-P [N]	Fr2 C [N]
167,0	4632	1,5	8,89	KXBCM1003	280M ⁽²⁾	4	48815	48815
140,4	5509	1,4	10,58	KXBCM1003	280M ⁽²⁾	4	50635	50635
125,1	6183	1,2	11,87	KXBCM1003	280M ⁽²⁾	4	51797	51797
115,9	6672	1,3	12,81	KXBCM1003	280M ⁽²⁾	4	52535	52535
105,4	7336	1,3	14,08	KXBCM1003	280M ⁽²⁾	4	53416	53416
95,7	8085	1,2	15,52	KXBCM1003	280M ⁽²⁾	4	54267	54267
90,6	8536	1,2	16,39	KXBCM1003	280M ⁽²⁾	4	54714	54714
82,4	9385	1,1	18,02	KXBCM1003	280M ⁽²⁾	4	55445	55445
67,7	11431	0,9	21,94	KXBCM1003	280M ⁽²⁾	4	56701	56701

⁽²⁾ With TBS brake motor, please contact our Technical Sales Support

KXA202

Mn_2 [Nm]	i	Pn_1 [kW]	n_2 [rpm]	Fr_1 [N]	Fr_2 D-S-P [N]	Fr_2 C [N]
85	7,62	2,14	229,8	373	-	1684
85	10,62	1,54	164,7	355	-	1882
85	12,95	1,26	135,2	406	-	2010
85	14,46	1,13	121,0	443	-	2085
113	16,47	1,32	106,2	579	-	2178
113	22,97	0,95	76,2	355	-	2433
113	28,00	0,78	62,5	406	-	2599
113	31,27	0,70	56,0	443	-	2697
113	33,78	0,64	51,8	458	-	2767
113	47,12	0,46	37,1	355	-	3092
113	57,43	0,38	30,5	406	-	3303
103	64,13	0,31	27,3	406	-	3426
103	78,17	0,26	22,4	406	-	3660

KXA252

Mn_2 [Nm]	i	Pn_1 [kW]	n_2 [rpm]	Fr_1 [N]	Fr_2 D-S-P [N]	Fr_2 C [N]
150	7,91	3,67	221,2	373	-	1828
150	9,46	3,07	185,0	414	-	1940
150	11,57	2,51	151,2	405	-	2075
150	14,63	1,98	119,7	392	-	2243
188	17,11	2,12	102,3	529	-	2363
188	20,46	1,77	85,5	414	-	2508
188	25,03	1,45	69,9	405	-	2683
188	31,63	1,15	55,3	392	-	2900
188	35,10	1,03	49,9	446	-	3003
188	41,97	0,86	41,7	414	-	3187
207	51,34	0,78	34,1	445	-	3409
188	64,87	0,56	27,0	356	-	3685
188	79,07	0,46	22,1	406	-	3936

KXA253

Mn_2 [Nm]	i	Pn_1 [kW]	n_2 [rpm]	Fr_1 [N]	Fr_2 D-S-P [N]	Fr_2 C [N]
207	73,70	0,57	23,7	472	-	3845
207	93,33	0,45	18,8	472	-	4000
207	111,61	0,38	15,7	472	-	4000
207	136,53	0,31	12,8	472	-	4000
207	172,53	0,24	10,1	472	-	4000
207	197,11	0,21	8,9	472	-	4000
207	249,08	0,17	7,0	472	-	4000

KXA253

Mn_2 [Nm]	i	Pn_1 [kW]	n_2 [rpm]	Fr_1 [N]	Fr_2 D-S-P [N]	Fr_2 C [N]
207	271,16	0,16	6,5	472	-	4000
207	342,65	0,12	5,1	472	-	4000

KXA352

Mn_2 [Nm]	i	Pn_1 [kW]	n_2 [rpm]	Fr_1 [N]	Fr_2 D-S-P [N]	Fr_2 C [N]
329	8,36	7,59	209,4	664	4715	2357
329	10,06	6,31	174,0	685	5016	2508
329	12,44	5,10	140,6	667	5384	2692
395	14,91	5,11	117,4	826	5718	2859
395	17,94	4,24	97,5	685	6083	3041
395	22,19	3,43	78,8	667	6529	3265
395	27,45	2,77	63,8	667	7009	3504
395	33,04	2,30	53,0	685	7456	3728
376	40,87	1,77	42,8	635	8003	4002
329	45,64	1,39	38,3	646	8303	4152
329	54,94	1,16	31,9	685	8833	4416
329	67,96	0,93	25,8	667	9481	4741

KXA353

Mn_2 [Nm]	i	Pn_1 [kW]	n_2 [rpm]	Fr_1 [N]	Fr_2 D-S-P [N]	Fr_2 C [N]
423	43,89	1,96	39,9	330	8196	4098
423	52,83	1,63	33,1	411	8718	4359
423	65,35	1,32	26,8	400	9358	4679
423	80,83	1,07	21,6	400	10000	5023
423	97,29	0,89	18,0	411	10000	5343
423	120,34	0,72	14,5	400	10000	5500
423	149,73	0,58	11,7	398	10000	5500
423	180,23	0,48	9,7	411	10000	5500
423	222,93	0,39	7,8	400	10000	5500
423	260,20	0,33	6,7	424	10000	5500
423	321,85	0,27	5,4	400	10000	5500
423	357,95	0,24	4,9	445	10000	5500
423	442,76	0,19	4,0	400	10000	5500

KXB1003

Mn_2 [Nm]	i	Pn_1 [kW]	n_2 [rpm]	Fr_1 [N]	Fr_2 D-S-P [N]	Fr_2 C [N]
6392	8,89	146,37	196,8	7268	42738	42738

KXB1003

Mn ₂ [Nm]	i	Pn ₁ [kW]	n ₂ [rpm]	Fr1 [N]	Fr2 D-S-P [N]	Fr2 C [N]
7426	10,58	142,97	165,5	7338	44107	44107
7238	11,87	124,16	147,4	7730	46651	46651
8272	12,81	131,49	136,6	7578	46354	46354
9024	14,08	130,46	124,3	7599	46974	46974
9400	15,52	123,30	112,8	7748	48363	48363
9306	16,39	115,63	106,8	7908	49696	49696
9776	18,02	110,48	97,1	8015	50972	50972
10058	19,96	102,62	87,7	8179	52815	52815
9776	21,94	90,71	79,8	8428	55548	55548
9870	24,17	83,13	72,4	8585	57740	57740
10434	26,58	79,93	65,8	8652	59139	59139
9588	28,80	67,78	60,8	8905	62694	62694
10810	30,92	71,18	56,6	8835	62446	62446
11186	34,25	66,49	51,1	8932	64581	64581
11562	37,66	62,51	46,5	9015	66599	65000
11938	40,65	59,79	43,0	9072	68159	65000
11280	45,09	50,93	38,8	9256	72405	65000
12220	51,00	48,79	34,3	9301	74583	65000
12220	53,63	46,39	32,6	9351	76188	65000
12220	58,97	42,20	29,7	9439	79289	65000
12220	69,78	35,66	25,1	9575	80000	65000
12220	76,72	32,43	22,8	9642	80000	65000
12220	87,54	28,42	20,0	9726	80000	65000
12220	96,25	25,85	18,2	9779	80000	65000
12220	103,93	23,94	16,8	9819	80000	65000
12220	114,27	21,77	15,3	9864	80000	65000
12220	126,29	19,70	13,9	9907	80000	65000
12220	138,85	17,92	12,6	9944	80000	65000
12220	154,83	16,07	11,3	9983	80000	65000

KXB353

Mn ₂ [Nm]	i	Pn ₁ [kW]	n ₂ [rpm]	Fr1 [N]	Fr2 D-S-P [N]	Fr2 C [N]
273	5,71	9,71	306,2	367	6520	1863
320	6,88	9,46	254,4	388	6797	1942
329	7,32	9,15	239,0	415	6927	1979
432	9,16	9,61	191,0	375	7105	2030
489	10,26	9,70	170,5	368	7197	2056
508	11,03	9,37	158,7	395	7337	2096
545	12,35	8,98	141,7	428	7536	2153
555	13,15	8,59	133,1	462	7702	2200
555	15,18	7,44	115,3	559	8195	2341

KXB353

Mn_2 [Nm]	i	Pn_1 [kW]	n2 [rpm]	Fr1 [N]	Fr2 D-S-P [N]	Fr2 C [N]
564	17,00	6,75	102,9	618	8562	2446
564	22,39	5,13	78,2	756	9618	2748
564	26,09	4,40	67,1	817	10248	2928
564	28,03	4,10	62,4	843	10554	3016
564	33,43	3,43	52,3	899	11338	3240
564	38,58	2,98	45,4	938	12000	3431
564	43,22	2,66	40,5	965	12000	3590
564	50,81	2,26	34,4	999	12000	3827
564	56,93	2,02	30,7	1020	12000	4001
564	69,16	1,66	25,3	1050	12000	4315
564	77,48	1,48	22,6	1065	12000	4508
564	90,33	1,27	19,4	1083	12000	4779
564	101,20	1,13	17,3	1095	12000	4990
564	111,74	1,03	15,7	1104	12000	5180
564	124,20	0,92	14,1	1113	12000	5390
564	139,15	0,83	12,6	1121	12000	5623
564	157,42	0,73	11,1	1129	12000	5887

KXB403

Mn_2 [Nm]	i	Pn_1 [kW]	n2 [rpm]	Fr1 [N]	Fr2 D-S-P [N]	Fr2 C [N]
470	7,81	12,25	224,1	1764	11107	3173
564	8,62	13,32	202,9	1657	11159	3188
611	10,49	11,85	166,8	1804	11869	3391
705	11,59	12,39	151,0	1750	11965	3419
761	14,43	10,74	121,3	1916	12849	3671
799	16,60	9,80	105,5	2011	13450	3843
799	18,32	8,88	95,5	2104	14004	4001
799	22,82	7,13	76,7	2281	15298	4371
799	26,71	6,09	65,5	2386	16288	4654
799	29,50	5,52	59,3	2444	16936	4839
799	31,80	5,12	55,0	2484	17443	4984
799	34,49	4,72	50,7	2500	18000	5144
799	39,60	4,11	44,2	2500	18000	5427
799	42,95	3,79	40,7	2500	18000	5600
799	45,44	3,58	38,5	2500	18000	5722
799	51,19	3,18	34,2	2500	18000	5989
799	55,52	2,93	31,5	2500	18000	6177
799	59,96	2,71	29,2	2500	18000	6359
799	63,74	2,55	27,4	2500	18000	6507
799	69,14	2,35	25,3	2500	18000	6710
799	73,14	2,22	23,9	2500	18000	6853

KXB403

Mn ₂ [Nm]	i	Pn ₁ [kW]	n ₂ [rpm]	Fr1 [N]	Fr2 D-S-P [N]	Fr2 C [N]
799	80,76	2,01	21,7	2500	18000	7111
799	92,19	1,76	19,0	2500	18000	7470
799	100,57	1,62	17,4	2500	18000	7714
799	105,29	1,55	16,6	2500	18000	7846
799	116,25	1,40	15,1	2500	18000	8137
799	126,76	1,28	13,8	2500	18000	8400
799	144,77	1,12	12,1	2500	18000	8818

KXB503

Mn ₂ [Nm]	i	Pn ₁ [kW]	n ₂ [rpm]	Fr1 [N]	Fr2 D-S-P [N]	Fr2 C [N]
752	8,13	18,84	215,3	1192	13788	3939
846	8,97	19,21	195,2	1157	14044	4012
940	10,92	17,53	160,2	1317	14880	4252
940	12,05	15,88	145,2	1473	15461	4417
1128	14,99	15,33	116,8	1526	16275	4650
1316	17,27	15,52	101,3	1508	16670	4763
1316	19,06	14,06	91,8	1646	17345	4956
1316	23,70	11,31	73,8	1907	18922	5406
1410	26,51	10,83	66,0	1953	19508	5574
1504	30,55	10,02	57,3	2029	20367	5819
1598	33,07	9,84	52,9	2047	20749	5928
1598	35,87	9,07	48,8	2120	21439	6125
1598	41,12	7,91	42,5	2230	22000	6469
1598	44,61	7,29	39,2	2288	22000	6680
1598	47,28	6,88	37,0	2327	22000	6835
1598	50,24	6,48	34,8	2366	22000	7000
1598	53,02	6,14	33,0	2398	22000	7149
1598	58,50	5,56	29,9	2453	22000	7429
1598	64,89	5,01	27,0	2505	22000	7732
1598	68,58	4,74	25,5	2530	22000	7899
1598	72,76	4,47	24,1	2556	22000	8081
1598	78,92	4,12	22,2	2589	22000	8336
1692	83,66	4,12	20,9	2590	22000	8446
1692	92,31	3,73	19,0	2626	22000	8771
1692	105,44	3,27	16,6	2671	22000	9227
1692	114,80	3,00	15,2	2696	22000	9529
1692	120,42	2,86	14,5	2709	22000	9703
1692	132,87	2,59	13,2	2735	22000	10069
1692	144,69	2,38	12,1	2755	22000	10396
1692	165,25	2,08	10,6	2783	22000	10924

KXB603

Mn ₂ [Nm]	i	Pn ₁ [kW]	n ₂ [rpm]	Fr1 [N]	Fr2 D-S-P [N]	Fr2 C [N]
1410	7,97	36,04	219,7	2647	16004	4572
1692	9,62	35,81	181,9	2656	16152	4615
1880	10,33	37,04	169,3	2610	15860	4531
1880	12,48	30,67	140,2	2849	17434	4981
1974	13,84	29,03	126,4	2910	17910	5117
1974	15,38	26,13	113,8	3019	18865	5390
2068	18,58	22,67	94,2	3150	20227	5779
2350	20,61	23,22	84,9	3129	19967	5705
2632	22,78	23,52	76,8	3117	19706	5630
2632	25,89	20,70	67,6	3223	21077	6022
2632	27,51	19,48	63,6	3269	21748	6214
2632	30,79	17,40	56,8	3347	23031	6580
2632	31,26	17,14	56,0	3357	23207	6631
2632	34,68	15,45	50,5	3421	24438	6982
2632	40,53	13,22	43,2	3504	26365	7533
2820	44,89	12,79	39,0	3521	26820	7663
3008	49,80	12,30	35,1	3539	27343	7812
3008	54,30	11,28	32,2	3577	28534	8153
3008	59,36	10,32	29,5	3613	29797	8514
3102	62,59	10,09	28,0	3622	30000	8610
3102	69,43	9,10	25,2	3659	30000	9052
3290	74,42	9,00	23,5	3663	30000	9109
3290	80,04	8,37	21,9	3687	30000	9436
3290	89,87	7,45	19,5	3721	30000	9971
3290	99,70	6,72	17,6	3749	30000	10470
3290	106,65	6,28	16,4	3765	30000	10802
3290	119,60	5,60	14,6	3791	30000	11385
3290	129,96	5,15	13,5	3808	30000	11822
3290	144,43	4,64	12,1	3827	30000	12394
3290	160,23	4,18	10,9	3844	30000	12976
3290	180,40	3,71	9,7	3862	30000	13667

KXB703

Mn ₂ [Nm]	i	Pn ₁ [kW]	n ₂ [rpm]	Fr1 [N]	Fr2 D-S-P [N]	Fr2 C [N]
2820	10,84	52,97	161,4	2401	14322	14322
2914	11,87	49,99	147,5	2491	14730	14730
2914	14,49	40,96	120,8	2764	16364	16364
3008	17,04	35,94	102,7	2916	17477	17477
3384	18,66	36,93	93,8	2886	17100	17100
3760	21,00	36,46	83,3	2900	17009	17009
4136	22,77	36,98	76,8	2885	16597	16597

KXB703

Mn_2 [Nm]	i	Pn_1 [kW]	n_2 [rpm]	Fr_1 [N]	Fr_2 D-S-P [N]	Fr_2 C [N]
4324	25,63	34,35	68,3	2964	17182	17182
4324	27,44	32,08	63,8	3033	17889	17889
4418	30,05	29,94	58,2	3098	18551	18551
4418	33,01	27,25	53,0	3179	19580	19580
4512	36,67	25,05	47,7	3245	20470	20470
4512	40,29	22,80	43,4	3313	21570	21570
4512	44,16	20,80	39,6	3374	22675	22675
4700	48,35	19,79	36,2	3404	23201	23201
4700	53,16	18,00	32,9	3458	24414	24414
4700	54,63	17,52	32,0	3473	24770	24770
4700	59,02	16,22	29,6	3512	25798	25798
4700	64,88	14,75	27,0	3557	27093	27093
4700	70,43	13,59	24,9	3592	28249	28249
4700	77,12	12,41	22,7	3627	29562	29562
4700	85,54	11,19	20,5	3664	31114	31114
4700	94,13	10,17	18,6	3695	32591	32591
4700	105,83	9,04	16,5	3729	34468	34468
4700	111,94	8,55	15,6	3744	35392	35392
4700	124,62	7,68	14,0	3770	37208	37208
4700	136,44	7,01	12,8	3790	38793	38793
4700	149,59	6,40	11,7	3809	40000	40000
4700	166,53	5,75	10,5	3829	40000	40000
4700	187,24	5,11	9,3	3848	40000	40000

KXB903

Mn_2 [Nm]	i	Pn_1 [kW]	n_2 [rpm]	Fr_1 [N]	Fr_2 D-S-P [N]	Fr_2 C [N]
4230	10,49	82,09	166,8	7203	30265	30265
4230	12,64	68,13	138,4	7657	32579	32579
4700	14,01	68,30	124,9	7651	33227	33227
4700	15,40	62,14	113,6	7852	34499	34499
5640	18,56	61,89	94,3	7860	35747	35747
6110	20,56	60,50	85,1	7905	36575	36575
6298	23,86	53,75	73,3	8125	38588	38588
6392	25,19	51,67	69,5	8193	39314	39314
7520	28,23	54,24	62,0	8109	39527	39527
7520	30,35	50,45	57,7	8232	40748	40748
7520	33,63	45,52	52,0	8393	42534	42534
7520	35,02	43,72	50,0	8451	43252	43252
7520	38,81	39,45	45,1	8590	45125	45125
7520	42,30	36,20	41,4	8696	46743	46743
7520	47,53	32,21	36,8	8826	49012	49012

KXB903

Mn_2 [Nm]	i	Pn_1 [kW]	n_2 [rpm]	Fr_1 [N]	Fr_2 D-S-P [N]	Fr_2 C [N]
7520	50,56	30,28	34,6	8889	50248	50248
7520	54,64	28,02	32,0	8963	51837	51837
7520	57,27	26,73	30,6	9005	52821	52821
7520	60,92	25,13	28,7	9057	54136	54136
7520	63,47	24,12	27,6	9090	55024	55024
7520	71,15	21,52	24,6	9174	57559	57559
7520	77,22	19,83	22,7	9229	59440	59440
7520	83,89	18,25	20,9	9281	61391	61391
7520	87,65	17,47	20,0	9306	62448	62448
7520	93,05	16,46	18,8	9339	63911	63911
7520	103,12	14,85	17,0	9392	65000	65000
7520	123,88	12,36	14,1	9473	65000	65000
7520	134,27	11,40	13,0	9504	65000	65000
7520	149,26	10,26	11,7	9541	65000	65000
7520	165,42	9,26	10,6	9574	65000	65000

KXA202

Mn_2 [Nm]	i	Pn_1 [kW]	n_2 [rpm]	Fr_1 [N]	Fr_2 D-S-P [N]	Fr_2 C [N]
90	7,62	1,82	183,8	373	-	1814
90	10,62	1,31	131,8	355	-	2027
90	12,95	1,07	108,1	406	-	2165
90	14,46	0,96	96,8	443	-	2246
120	16,47	1,12	85,0	579	-	2346
120	22,97	0,81	60,9	355	-	2621
120	28,00	0,66	50,0	406	-	2800
120	31,27	0,59	44,8	443	-	2905
120	33,78	0,55	41,4	458	-	2981
120	47,12	0,39	29,7	355	-	3331
120	57,43	0,32	24,4	406	-	3558
110	64,13	0,26	21,8	406	-	3691
110	78,17	0,22	17,9	406	-	3943

KXA252

Mn_2 [Nm]	i	Pn_1 [kW]	n_2 [rpm]	Fr_1 [N]	Fr_2 D-S-P [N]	Fr_2 C [N]
160	7,91	3,12	176,9	373	-	1969
160	9,46	2,61	148,0	414	-	2090
160	11,57	2,13	121,0	405	-	2235
160	14,63	1,69	95,7	392	-	2416
200	17,11	1,80	81,8	529	-	2546
200	20,46	1,51	68,4	414	-	2702
200	25,03	1,23	55,9	405	-	2890
200	31,63	0,98	44,3	392	-	3124
200	35,10	0,88	39,9	446	-	3235
200	41,97	0,74	33,4	414	-	3433
220	51,34	0,66	27,3	445	-	3672
200	64,87	0,48	21,6	356	-	3970
200	79,07	0,39	17,7	406	-	4000

KXA253

Mn_2 [Nm]	i	Pn_1 [kW]	n_2 [rpm]	Fr_1 [N]	Fr_2 D-S-P [N]	Fr_2 C [N]
220	73,70	0,49	19,0	472	-	4000
220	93,33	0,38	15,0	472	-	4000
220	111,61	0,32	12,5	472	-	4000
220	136,53	0,26	10,2	472	-	4000
220	172,53	0,21	8,1	472	-	4000
220	197,11	0,18	7,1	472	-	4000
220	249,08	0,14	5,6	472	-	4000

KXA253

Mn_2 [Nm]	i	Pn_1 [kW]	n_2 [rpm]	Fr_1 [N]	Fr_2 D-S-P [N]	Fr_2 C [N]
220	271,16	0,13	5,2	472	-	4000
220	342,65	0,10	4,1	472	-	4000

KXA352

Mn_2 [Nm]	i	Pn_1 [kW]	n_2 [rpm]	Fr_1 [N]	Fr_2 D-S-P [N]	Fr_2 C [N]
350	8,36	6,46	167,5	664	5079	2540
350	10,06	5,37	139,2	685	5403	2701
350	12,44	4,34	112,5	667	5800	2900
420	14,91	4,35	93,9	826	6160	3080
420	17,94	3,61	78,0	685	6552	3276
420	22,19	2,92	63,1	667	7033	3517
420	27,45	2,36	51,0	667	7550	3775
420	33,04	1,96	42,4	685	8031	4016
400	40,87	1,51	34,2	635	8621	4311
350	45,64	1,18	30,7	646	8944	4472
350	54,94	0,98	25,5	685	9515	4757
350	67,96	0,79	20,6	667	10000	5107

KXA353

Mn_2 [Nm]	i	Pn_1 [kW]	n_2 [rpm]	Fr_1 [N]	Fr_2 D-S-P [N]	Fr_2 C [N]
450	43,89	1,67	31,9	330	8828	4414
450	52,83	1,39	26,5	411	9391	4696
450	65,35	1,12	21,4	400	10000	5041
450	80,83	0,91	17,3	400	10000	5411
450	97,29	0,75	14,4	411	10000	5500
450	120,34	0,61	11,6	400	10000	5500
450	149,73	0,49	9,3	398	10000	5500
450	180,23	0,41	7,8	411	10000	5500
450	222,93	0,33	6,3	400	10000	5500
450	260,20	0,28	5,4	424	10000	5500
450	321,85	0,23	4,3	400	10000	5500
450	357,95	0,20	3,9	445	10000	5500
450	442,76	0,17	3,2	400	10000	5500

KXB1003

Mn_2 [Nm]	i	Pn_1 [kW]	n_2 [rpm]	Fr_1 [N]	Fr_2 D-S-P [N]	Fr_2 C [N]
6800	8,89	124,57	157,4	7073	46145	46145

KXB1003

Mn_2 [Nm]	i	Pn_1 [kW]	n_2 [rpm]	Fr_1 [N]	Fr_2 D-S-P [N]	Fr_2 C [N]
7900	10,58	121,68	132,4	7148	47640	47640
7700	11,87	105,67	118,0	7565	50376	50376
8800	12,81	111,91	109,3	7403	50078	50078
9600	14,08	111,03	99,4	7426	50762	50762
10000	15,52	104,94	90,2	7584	52265	52265
9900	16,39	98,41	85,4	7754	53698	53698
10400	18,02	94,03	77,7	7869	55082	55082
10700	19,96	87,33	70,2	8043	57072	57072
10400	21,94	77,20	63,8	8307	60008	60008
10500	24,17	70,75	57,9	8475	62369	62369
11100	26,58	68,03	52,7	8546	63887	63887
10200	28,80	57,69	48,6	8815	67696	65000
11500	30,92	60,58	45,3	8740	67456	65000
11900	34,25	56,59	40,9	8844	69762	65000
12300	37,66	53,20	37,2	8932	71943	65000
12700	40,65	50,89	34,4	8992	73630	65000
12000	45,09	43,35	31,1	9189	78186	65000
13000	51,00	41,52	27,4	9236	80000	65000
13000	53,63	39,48	26,1	9289	80000	65000
13000	58,97	35,91	23,7	9382	80000	65000
13000	69,78	30,35	20,1	9527	80000	65000
13000	76,72	27,60	18,2	9599	80000	65000
13000	87,54	24,19	16,0	9688	80000	65000
13000	96,25	22,00	14,6	9745	80000	65000
13000	103,93	20,37	13,5	9787	80000	65000
13000	114,27	18,53	12,2	9835	80000	65000
13000	126,29	16,77	11,1	9881	80000	65000
13000	138,85	15,25	10,1	9921	80000	65000
13000	154,83	13,68	9,0	9962	80000	65000

KXB353

Mn_2 [Nm]	i	Pn_1 [kW]	n_2 [rpm]	Fr_1 [N]	Fr_2 D-S-P [N]	Fr_2 C [N]
290	5,71	8,27	245,0	314	7034	2010
340	6,88	8,05	203,5	337	7335	2096
350	7,32	7,79	191,2	365	7475	2136
460	9,16	8,18	152,8	323	7673	2192
520	10,26	8,25	136,4	315	7774	2221
540	11,03	7,98	127,0	345	7927	2265
580	12,35	7,65	113,3	380	8142	2326
590	13,15	7,31	106,5	416	8322	2378
590	15,18	6,33	92,3	519	8853	2529

KXB353

Mn_2 [Nm]	i	Pn_1 [kW]	n_2 [rpm]	Fr_1 [N]	Fr_2 D-S-P [N]	Fr_2 C [N]
600	17,00	5,75	82,3	581	9248	2642
600	22,39	4,36	62,5	728	10385	2967
600	26,09	3,75	53,7	794	11063	3161
600	28,03	3,49	49,9	821	11393	3255
600	33,43	2,92	41,9	881	12000	3496
600	38,58	2,53	36,3	922	12000	3703
600	43,22	2,26	32,4	951	12000	3874
600	50,81	1,92	27,6	987	12000	4129
600	56,93	1,72	24,6	1009	12000	4316
600	69,16	1,41	20,2	1041	12000	4654
600	77,48	1,26	18,1	1057	12000	4861
600	90,33	1,08	15,5	1076	12000	5154
600	101,20	0,97	13,8	1089	12000	5380
600	111,74	0,87	12,5	1098	12000	5585
600	124,20	0,79	11,3	1108	12000	5811
600	139,15	0,70	10,1	1116	12000	6062
600	157,42	0,62	8,9	1125	12000	6346

KXB403

Mn_2 [Nm]	i	Pn_1 [kW]	n_2 [rpm]	Fr_1 [N]	Fr_2 D-S-P [N]	Fr_2 C [N]
500	7,81	10,43	179,3	1685	11980	3423
600	8,62	11,33	162,4	1571	12040	3440
650	10,49	10,09	133,4	1728	12807	3659
750	11,59	10,54	120,8	1671	12915	3690
810	14,43	9,14	97,0	1847	13870	3963
850	16,60	8,34	84,4	1948	14518	4148
850	18,32	7,56	76,4	2047	15115	4319
850	22,82	6,07	61,4	2235	16508	4717
850	26,71	5,18	52,4	2346	17573	5021
850	29,50	4,69	47,5	2408	18000	5220
850	31,80	4,35	44,0	2451	18000	5376
850	34,49	4,01	40,6	2494	18000	5549
850	39,60	3,50	35,4	2500	18000	5853
850	42,95	3,22	32,6	2500	18000	6039
850	45,44	3,05	30,8	2500	18000	6171
850	51,19	2,70	27,4	2500	18000	6458
850	55,52	2,49	25,2	2500	18000	6660
850	59,96	2,31	23,4	2500	18000	6856
850	63,74	2,17	22,0	2500	18000	7016
850	69,14	2,00	20,2	2500	18000	7234
850	73,14	1,89	19,1	2500	18000	7388

KXB403

Mn ₂ [Nm]	i	Pn ₁ [kW]	n ₂ [rpm]	Fr1 [N]	Fr2 D-S-P [N]	Fr2 C [N]
850	80,76	1,71	17,3	2500	18000	7666
850	92,19	1,50	15,2	2500	18000	8052
850	100,57	1,38	13,9	2500	18000	8315
850	105,29	1,32	13,3	2500	18000	8457
850	116,25	1,19	12,0	2500	18000	8771
850	126,76	1,09	11,0	2500	18000	9053
850	144,77	0,96	9,7	2500	18000	9503

KXB503

Mn ₂ [Nm]	i	Pn ₁ [kW]	n ₂ [rpm]	Fr1 [N]	Fr2 D-S-P [N]	Fr2 C [N]
800	8,13	16,03	172,3	1078	14868	4248
900	8,97	16,35	156,1	1041	15147	4328
1000	10,92	14,92	128,2	1211	16052	4586
1000	12,05	13,52	116,2	1377	16676	4765
1200	14,99	13,04	93,4	1433	17560	5017
1400	17,27	13,20	81,1	1414	17992	5141
1400	19,06	11,97	73,5	1561	18718	5348
1400	23,70	9,62	59,1	1839	20415	5833
1500	26,51	9,22	52,8	1887	21050	6014
1600	30,55	8,53	45,8	1969	21978	6279
1700	33,07	8,37	42,3	1987	22000	6398
1700	35,87	7,72	39,0	2065	22000	6610
1700	41,12	6,73	34,0	2182	22000	6979
1700	44,61	6,21	31,4	2244	22000	7207
1700	47,28	5,86	29,6	2286	22000	7374
1700	50,24	5,51	27,9	2327	22000	7552
1700	53,02	5,22	26,4	2361	22000	7712
1700	58,50	4,73	23,9	2419	22000	8013
1700	64,89	4,27	21,6	2474	22000	8340
1700	68,58	4,04	20,4	2502	22000	8519
1700	72,76	3,81	19,2	2529	22000	8715
1700	78,92	3,51	17,7	2564	22000	8990
1800	83,66	3,50	16,7	2565	22000	9109
1800	92,31	3,18	15,2	2604	22000	9459
1800	105,44	2,78	13,3	2651	22000	9950
1800	114,80	2,55	12,2	2678	22000	10275
1800	120,42	2,43	11,6	2692	22000	10462
1800	132,87	2,21	10,5	2719	22000	10856
1800	144,69	2,03	9,7	2740	22000	11208
1800	165,25	1,77	8,5	2770	22000	11776

KXB603

Mn ₂ [Nm]	i	Pn ₁ [kW]	n ₂ [rpm]	Fr1 [N]	Fr2 D-S-P [N]	Fr2 C [N]
1500	7,97	30,67	175,8	2561	17308	4945
1800	9,62	30,48	145,5	2570	17484	4995
2000	10,33	31,52	135,5	2521	17181	4909
2000	12,48	26,10	112,2	2775	18875	5393
2100	13,84	24,71	101,1	2841	19393	5541
2100	15,38	22,24	91,0	2957	20420	5834
2200	18,58	19,29	75,4	3095	21892	6255
2500	20,61	19,76	67,9	3073	21629	6180
2800	22,78	20,02	61,5	3061	21364	6104
2800	25,89	17,62	54,1	3174	22840	6526
2800	27,51	16,58	50,9	3223	23562	6732
2800	30,79	14,81	45,5	3306	24944	7127
2800	31,26	14,59	44,8	3316	25133	7181
2800	34,68	13,15	40,4	3384	26458	7559
2800	40,53	11,25	34,5	3473	28532	8152
3000	44,89	10,89	31,2	3490	29033	8295
3200	49,80	10,47	28,1	3510	29606	8459
3200	54,30	9,60	25,8	3550	30000	8825
3200	59,36	8,78	23,6	3589	30000	9214
3300	62,59	8,59	22,4	3598	30000	9319
3300	69,43	7,74	20,2	3638	30000	9795
3500	74,42	7,66	18,8	3641	30000	9859
3500	80,04	7,12	17,5	3667	30000	10211
3500	89,87	6,34	15,6	3703	30000	10788
3500	99,70	5,72	14,0	3733	30000	11324
3500	106,65	5,35	13,1	3750	30000	11682
3500	119,60	4,77	11,7	3777	30000	12309
3500	129,96	4,39	10,8	3795	30000	12780
3500	144,43	3,95	9,7	3816	30000	13395
3500	160,23	3,56	8,7	3834	30000	14022
3500	180,40	3,16	7,8	3853	30000	14766

KXB703

Mn ₂ [Nm]	i	Pn ₁ [kW]	n ₂ [rpm]	Fr1 [N]	Fr2 D-S-P [N]	Fr2 C [N]
3000	10,84	45,08	129,2	2299	15530	15530
3100	11,87	42,55	118,0	2395	15973	15973
3100	14,49	34,86	96,7	2685	17731	17731
3200	17,04	30,59	82,2	2847	18933	18933
3600	18,66	31,43	75,0	2815	18542	18542
4000	21,00	31,03	66,7	2830	18460	18460
4400	22,77	31,47	61,5	2813	18031	18031

KXB703

Mn ₂ [Nm]	i	Pn ₁ [kW]	n ₂ [rpm]	Fr1 [N]	Fr2 D-S-P [N]	Fr2 C [N]
4600	25,63	29,24	54,6	2898	18668	18668
4600	27,44	27,30	51,0	2971	19429	19429
4700	30,05	25,48	46,6	3040	20146	20146
4700	33,01	23,19	42,4	3126	21254	21254
4800	36,67	21,32	38,2	3197	22216	22216
4800	40,29	19,41	34,8	3269	23399	23399
4800	44,16	17,70	31,7	3334	24589	24589
5000	48,35	16,84	28,9	3366	25162	25162
5000	53,16	15,32	26,3	3424	26469	26469
5000	54,63	14,91	25,6	3439	26852	26852
5000	59,02	13,80	23,7	3481	27958	27958
5000	64,88	12,55	21,6	3528	29352	29352
5000	70,43	11,56	19,9	3566	30597	30597
5000	77,12	10,56	18,1	3603	32010	32010
5000	85,54	9,52	16,4	3643	33680	33680
5000	94,13	8,65	14,9	3675	35271	35271
5000	105,83	7,70	13,2	3712	37290	37290
5000	111,94	7,28	12,5	3728	38286	38286
5000	124,62	6,54	11,2	3755	40000	40000
5000	136,44	5,97	10,3	3777	40000	40000
5000	149,59	5,44	9,4	3797	40000	40000
5000	166,53	4,89	8,4	3818	40000	40000
5000	187,24	4,35	7,5	3838	40000	40000

KXB903

Mn ₂ [Nm]	i	Pn ₁ [kW]	n ₂ [rpm]	Fr1 [N]	Fr2 D-S-P [N]	Fr2 C [N]
4500	10,49	69,86	133,4	7032	32656	32656
4500	12,64	57,98	110,7	7516	35147	35147
5000	14,01	58,13	99,9	7509	35853	35853
5000	15,40	52,89	90,9	7723	37222	37222
6000	18,56	52,67	75,5	7732	38582	38582
6500	20,56	51,49	68,1	7780	39483	39483
6700	23,86	45,74	58,7	8014	41653	41653
6800	25,19	43,98	55,6	8085	42436	42436
8000	28,23	46,16	49,6	7997	42686	42686
8000	30,35	42,94	46,1	8128	44001	44001
8000	33,63	38,74	41,6	8298	45923	45923
8000	35,02	37,21	40,0	8361	46696	46696
8000	38,81	33,58	36,1	8509	48712	48712
8000	42,30	30,81	33,1	8621	50453	50453
8000	47,53	27,41	29,4	8759	52896	52896

KXB903

Mn₂ [Nm]	i	Pn₁ [kW]	n₂ [rpm]	Fr1 [N]	Fr2 D-S-P [N]	Fr2 C [N]
8000	50,56	25,77	27,7	8826	54227	54227
8000	54,64	23,85	25,6	8904	55937	55937
8000	57,27	22,75	24,4	8949	56996	56996
8000	60,92	21,39	23,0	9005	58412	58412
8000	63,47	20,53	22,1	9039	59367	59367
8000	71,15	18,32	19,7	9130	62097	62097
8000	77,22	16,87	18,1	9188	64121	64121
8000	83,89	15,53	16,7	9243	65000	65000
8000	87,65	14,87	16,0	9270	65000	65000
8000	93,05	14,00	15,1	9305	65000	65000
8000	103,12	12,64	13,6	9361	65000	65000
8000	123,88	10,52	11,3	9447	65000	65000
8000	134,27	9,71	10,4	9480	65000	65000
8000	149,26	8,73	9,4	9520	65000	65000
8000	165,42	7,88	8,5	9554	65000	65000

KXA202

Mn ₂ [Nm]	i	Pn ₁ [kW]	n ₂ [rpm]	Fr1 [N]	Fr2 D-S-P [N]	Fr2 C [N]
92	7,62	1,51	149,7	373	-	1943
92	10,62	1,08	107,3	355	-	2171
92	12,95	0,89	88,0	406	-	2319
92	14,46	0,79	78,8	443	-	2406
123	16,47	0,93	69,2	579	-	2512
123	22,97	0,67	49,6	355	-	2807
123	28,00	0,55	40,7	406	-	2998
123	31,27	0,49	36,5	443	-	3111
123	33,78	0,45	33,8	458	-	3192
123	47,12	0,32	24,2	355	-	3567
123	57,43	0,27	19,9	406	-	3810
113	64,13	0,22	17,8	406	-	3952
113	78,17	0,18	14,6	406	-	4000

KXA252

Mn ₂ [Nm]	i	Pn ₁ [kW]	n ₂ [rpm]	Fr1 [N]	Fr2 D-S-P [N]	Fr2 C [N]
164	7,91	2,58	144,1	373	-	2108
164	9,46	2,16	120,5	414	-	2238
164	11,57	1,76	98,5	405	-	2393
164	14,63	1,40	77,9	392	-	2587
205	17,11	1,49	66,6	529	-	2726
205	20,46	1,25	55,7	414	-	2894
205	25,03	1,02	45,5	405	-	3095
205	31,63	0,81	36,0	392	-	3346
205	35,10	0,73	32,5	446	-	3464
205	41,97	0,61	27,2	414	-	3677
226	51,34	0,55	22,2	445	-	3932
205	64,87	0,39	17,6	356	-	4000
205	79,07	0,32	14,4	406	-	4000

KXA253

Mn ₂ [Nm]	i	Pn ₁ [kW]	n ₂ [rpm]	Fr1 [N]	Fr2 D-S-P [N]	Fr2 C [N]
226	73,70	0,40	15,5	472	-	4000
226	93,33	0,32	12,2	472	-	4000
226	111,61	0,27	10,2	472	-	4000
226	136,53	0,22	8,3	472	-	4000
226	172,53	0,17	6,6	472	-	4000
226	197,11	0,15	5,8	472	-	4000
226	249,08	0,12	4,6	472	-	4000

KXA253

Mn ₂ [Nm]	i	Pn ₁ [kW]	n ₂ [rpm]	Fr1 [N]	Fr2 D-S-P [N]	Fr2 C [N]
226	271,16	0,11	4,2	472	-	4000
226	342,65	0,09	3,3	472	-	4000

KXA352

Mn ₂ [Nm]	i	Pn ₁ [kW]	n ₂ [rpm]	Fr1 [N]	Fr2 D-S-P [N]	Fr2 C [N]
359	8,36	5,34	136,4	664	5439	2720
359	10,06	4,44	113,3	685	5786	2893
359	12,44	3,59	91,6	667	6211	3105
431	14,91	3,59	76,5	826	6596	3298
431	17,94	2,98	63,5	685	7017	3508
431	22,19	2,41	51,4	667	7532	3766
431	27,45	1,95	41,5	667	8085	4043
431	33,04	1,62	34,5	685	8600	4300
410	40,87	1,25	27,9	635	9232	4616
359	45,64	0,98	25,0	646	9578	4789
359	54,94	0,81	20,8	685	10000	5095
359	67,96	0,66	16,8	667	10000	5469

KXA353

Mn ₂ [Nm]	i	Pn ₁ [kW]	n ₂ [rpm]	Fr1 [N]	Fr2 D-S-P [N]	Fr2 C [N]
461	43,89	1,38	26,0	330	9454	4727
461	52,83	1,15	21,6	411	10000	5028
461	65,35	0,93	17,4	400	10000	5398
461	80,83	0,75	14,1	400	10000	5500
461	97,29	0,62	11,7	411	10000	5500
461	120,34	0,50	9,5	400	10000	5500
461	149,73	0,40	7,6	398	10000	5500
461	180,23	0,34	6,3	411	10000	5500
461	222,93	0,27	5,1	400	10000	5500
461	260,20	0,23	4,4	424	10000	5500
461	321,85	0,19	3,5	400	10000	5500
461	357,95	0,17	3,2	445	10000	5500
461	442,76	0,14	2,6	400	10000	5500

KXB1003

Mn ₂ [Nm]	i	Pn ₁ [kW]	n ₂ [rpm]	Fr1 [N]	Fr2 D-S-P [N]	Fr2 C [N]
6970	8,89	102,94	128,2	6992	49918	49918

KXB1003

Mn ₂ [Nm]	i	Pn ₁ [kW]	n ₂ [rpm]	Fr1 [N]	Fr2 D-S-P [N]	Fr2 C [N]
8098	10,58	100,55	107,8	7069	51605	51605
7893	11,87	87,32	96,0	7496	54517	54517
9020	12,81	92,48	89,0	7330	54285	54285
9840	14,08	91,75	81,0	7353	55080	55080
10250	15,52	86,72	73,5	7516	56720	56720
10148	16,39	81,33	69,6	7690	58246	58246
10660	18,02	77,70	63,3	7807	59766	59766
10968	19,96	72,17	57,1	7986	61920	61920
10660	21,94	63,79	52,0	8257	65037	65000
10763	24,17	58,47	47,2	8429	67572	65000
11378	26,58	56,22	42,9	8502	69244	65000
10455	28,80	47,67	39,6	8778	73249	65000
11788	30,92	50,06	36,9	8700	73095	65000
12198	34,25	46,76	33,3	8807	75594	65000
12608	37,66	43,96	30,3	8897	77959	65000
13018	40,65	42,05	28,0	8959	79796	65000
12300	45,09	35,82	25,3	9160	80000	65000
13325	51,00	34,31	22,4	9209	80000	65000
13325	53,63	32,63	21,3	9264	80000	65000
13325	58,97	29,68	19,3	9359	80000	65000
13325	69,78	25,08	16,3	9508	80000	65000
13325	76,72	22,81	14,9	9581	80000	65000
13325	87,54	19,99	13,0	9672	80000	65000
13325	96,25	18,18	11,8	9730	80000	65000
13325	103,93	16,84	11,0	9774	80000	65000
13325	114,27	15,31	10,0	9823	80000	65000
13325	126,29	13,86	9,0	9870	80000	65000
13325	138,85	12,60	8,2	9911	80000	65000
13325	154,83	11,30	7,4	9953	80000	65000

KXB353

Mn ₂ [Nm]	i	Pn ₁ [kW]	n ₂ [rpm]	Fr1 [N]	Fr2 D-S-P [N]	Fr2 C [N]
297	5,71	6,83	199,5	292	7587	2168
349	6,88	6,65	165,7	316	7919	2263
359	7,32	6,43	155,7	344	8070	2306
472	9,16	6,76	124,4	301	8305	2373
533	10,26	6,82	111,1	294	8426	2407
554	11,03	6,59	103,4	324	8593	2455
595	12,35	6,32	92,3	359	8832	2523
605	13,15	6,04	86,7	396	9025	2579
605	15,18	5,23	75,1	502	9594	2741

KXB353

Mn_2 [Nm]	i	Pn_1 [kW]	n_2 [rpm]	Fr_1 [N]	Fr_2 D-S-P [N]	Fr_2 C [N]
615	17,00	4,75	67,0	566	10019	2863
615	22,39	3,61	50,9	716	11236	3210
615	26,09	3,10	43,7	784	11961	3417
615	28,03	2,88	40,7	812	12000	3518
615	33,43	2,42	34,1	873	12000	3776
615	38,58	2,09	29,6	915	12000	3997
615	43,22	1,87	26,4	945	12000	4181
615	50,81	1,59	22,4	982	12000	4453
615	56,93	1,42	20,0	1004	12000	4654
615	69,16	1,17	16,5	1037	12000	5015
615	77,48	1,04	14,7	1054	12000	5237
615	90,33	0,89	12,6	1073	12000	5550
615	101,20	0,80	11,3	1086	12000	5793
615	111,74	0,72	10,2	1096	12000	6012
615	124,20	0,65	9,2	1105	12000	6253
615	139,15	0,58	8,2	1115	12000	6522
615	157,42	0,51	7,2	1123	12000	6826

KXB403

Mn_2 [Nm]	i	Pn_1 [kW]	n_2 [rpm]	Fr_1 [N]	Fr_2 D-S-P [N]	Fr_2 C [N]
513	7,81	8,62	146,0	1652	12911	3689
615	8,62	9,37	132,2	1535	12995	3713
666	10,49	8,34	108,6	1696	13824	3950
769	11,59	8,71	98,4	1638	13958	3988
830	14,43	7,56	79,0	1818	14991	4283
871	16,60	6,89	68,7	1922	15692	4483
871	18,32	6,24	62,2	2023	16331	4666
871	22,82	5,01	50,0	2216	17821	5092
871	26,71	4,28	42,7	2330	18000	5417
871	29,50	3,88	38,6	2393	18000	5631
871	31,80	3,60	35,9	2437	18000	5798
871	34,49	3,32	33,0	2481	18000	5983
871	39,60	2,89	28,8	2500	18000	6308
871	42,95	2,66	26,5	2500	18000	6507
871	45,44	2,52	25,1	2500	18000	6648
871	51,19	2,24	22,3	2500	18000	6955
871	55,52	2,06	20,5	2500	18000	7172
871	59,96	1,91	19,0	2500	18000	7382
871	63,74	1,79	17,9	2500	18000	7553
871	69,14	1,65	16,5	2500	18000	7786
871	73,14	1,56	15,6	2500	18000	7950

KXB403

Mn_2 [Nm]	i	Pn_1 [kW]	n_2 [rpm]	Fr_1 [N]	Fr_2 D-S-P [N]	Fr_2 C [N]
871	80,76	1,42	14,1	2500	18000	8248
871	92,19	1,24	12,4	2500	18000	8661
871	100,57	1,14	11,3	2500	18000	8943
871	105,29	1,09	10,8	2500	18000	9095
871	116,25	0,98	9,8	2500	18000	9430
871	126,76	0,90	9,0	2500	18000	9733
871	144,77	0,79	7,9	2500	18000	10214

KXB503

Mn_2 [Nm]	i	Pn_1 [kW]	n_2 [rpm]	Fr_1 [N]	Fr_2 D-S-P [N]	Fr_2 C [N]
820	8,13	13,25	140,3	1031	16015	4576
923	8,97	13,51	127,1	992	16327	4665
1025	10,92	12,33	104,4	1167	17307	4945
1025	12,05	11,17	94,6	1337	17976	5136
1230	14,99	10,78	76,1	1394	18947	5414
1435	17,27	10,91	66,0	1375	19436	5553
1435	19,06	9,89	59,8	1525	20213	5775
1435	23,70	7,95	48,1	1810	22000	6294
1538	26,51	7,62	43,0	1860	22000	6492
1640	30,55	7,05	37,3	1943	22000	6779
1743	33,07	6,92	34,5	1962	22000	6910
1743	35,87	6,38	31,8	2042	22000	7137
1743	41,12	5,56	27,7	2162	22000	7532
1743	44,61	5,13	25,6	2226	22000	7776
1743	47,28	4,84	24,1	2268	22000	7955
1743	50,24	4,55	22,7	2310	22000	8144
1743	53,02	4,32	21,5	2345	22000	8316
1743	58,50	3,91	19,5	2405	22000	8638
1743	64,89	3,53	17,6	2462	22000	8988
1743	68,58	3,34	16,6	2490	22000	9180
1743	72,76	3,15	15,7	2518	22000	9389
1743	78,92	2,90	14,4	2554	22000	9683
1845	83,66	2,90	13,6	2554	22000	9815
1845	92,31	2,62	12,3	2594	22000	10189
1845	105,44	2,30	10,8	2642	22000	10714
1845	114,80	2,11	9,9	2670	22000	11062
1845	120,42	2,01	9,5	2685	22000	11262
1845	132,87	1,82	8,6	2712	22000	11684
1845	144,69	1,67	7,9	2734	22000	12061
1845	165,25	1,47	6,9	2765	22000	12669

KXB603

Mn ₂ [Nm]	i	Pn ₁ [kW]	n ₂ [rpm]	Fr1 [N]	Fr2 D-S-P [N]	Fr2 C [N]
1538	7,97	25,35	143,1	2525	18833	5381
1845	9,62	25,19	118,5	2534	19084	5452
2050	10,33	26,05	110,3	2484	18801	5372
2050	12,48	21,57	91,3	2745	20614	5890
2153	13,84	20,42	82,3	2812	21189	6054
2153	15,38	18,38	74,1	2931	22289	6368
2255	18,58	15,94	61,4	3073	23884	6824
2563	20,61	16,33	55,3	3050	23665	6761
2870	22,78	16,54	50,0	3037	23443	6698
2870	25,89	14,56	44,0	3153	25023	7149
2870	27,51	13,70	41,4	3203	25796	7370
2870	30,79	12,24	37,0	3288	27274	7793
2870	31,26	12,06	36,5	3299	27477	7851
2870	34,68	10,87	32,9	3368	28895	8256
2870	40,53	9,30	28,1	3459	30000	8890
3075	44,89	9,00	25,4	3477	30000	9055
3280	49,80	8,65	22,9	3497	30000	9242
3280	54,30	7,93	21,0	3539	30000	9634
3280	59,36	7,26	19,2	3578	30000	10050
3383	62,59	7,10	18,2	3588	30000	10168
3383	69,43	6,40	16,4	3628	30000	10678
3588	74,42	6,33	15,3	3632	30000	10758
3588	80,04	5,89	14,2	3658	30000	11135
3588	89,87	5,24	12,7	3696	30000	11752
3588	99,70	4,73	11,4	3726	30000	12326
3588	106,65	4,42	10,7	3744	30000	12709
3588	119,60	3,94	9,5	3772	30000	13380
3588	129,96	3,63	8,8	3790	30000	13884
3588	144,43	3,26	7,9	3811	30000	14543
3588	160,23	2,94	7,1	3830	30000	15214
3588	180,40	2,61	6,3	3849	30000	16009

KXB703

Mn ₂ [Nm]	i	Pn ₁ [kW]	n ₂ [rpm]	Fr1 [N]	Fr2 D-S-P [N]	Fr2 C [N]
3075	10,84	37,25	105,2	2257	17051	17051
3178	11,87	35,16	96,1	2355	17540	17540
3178	14,49	28,81	78,7	2653	19421	19421
3280	17,04	25,28	66,9	2818	20722	20722
3690	18,66	25,97	61,1	2785	20361	20361
4100	21,00	25,64	54,3	2801	20331	20331
4510	22,77	26,01	50,1	2784	19930	19930

KXB703

Mn_2 [Nm]	i	Pn_1 [kW]	n_2 [rpm]	Fr_1 [N]	Fr_2 D-S-P [N]	Fr_2 C [N]
4715	25,63	24,16	44,5	2870	20640	20640
4715	27,44	22,56	41,5	2945	21455	21455
4818	30,05	21,06	37,9	3016	22236	22236
4818	33,01	19,17	34,5	3104	23422	23422
4920	36,67	17,62	31,1	3177	24465	24465
4920	40,29	16,04	28,3	3251	25732	25732
4920	44,16	14,63	25,8	3317	27005	27005
5125	48,35	13,92	23,6	3350	27648	27648
5125	53,16	12,66	21,4	3409	29045	29045
5125	54,63	12,32	20,9	3425	29456	29456
5125	59,02	11,40	19,3	3468	30639	30639
5125	64,88	10,37	17,6	3516	32132	32132
5125	70,43	9,56	16,2	3555	33463	33463
5125	77,12	8,73	14,8	3593	34976	34976
5125	85,54	7,87	13,3	3634	36763	36763
5125	94,13	7,15	12,1	3667	38465	38465
5125	105,83	6,36	10,8	3704	40000	40000
5125	111,94	6,01	10,2	3721	40000	40000
5125	124,62	5,40	9,2	3749	40000	40000
5125	136,44	4,93	8,4	3771	40000	40000
5125	149,59	4,50	7,6	3792	40000	40000
5125	166,53	4,04	6,8	3813	40000	40000
5125	187,24	3,59	6,1	3834	40000	40000

KXB903

Mn_2 [Nm]	i	Pn_1 [kW]	n_2 [rpm]	Fr_1 [N]	Fr_2 D-S-P [N]	Fr_2 C [N]
4613	10,49	57,73	108,7	6961	35245	35245
4613	12,64	47,91	90,2	7457	37910	37910
5125	14,01	48,04	81,4	7450	38700	38700
5125	15,40	43,70	74,0	7669	40164	40164
6150	18,56	43,53	61,4	7678	41686	41686
6663	20,56	42,55	55,4	7727	42683	42683
6868	23,86	37,80	47,8	7967	45019	45019
6970	25,19	36,34	45,3	8041	45863	45863
8200	28,23	38,14	40,4	7950	46211	46211
8200	30,35	35,48	37,6	8084	47617	47617
8200	33,63	32,02	33,9	8259	49675	49675
8200	35,02	30,75	32,6	8323	50502	50502
8200	38,81	27,75	29,4	8474	52659	52659
8200	42,30	25,46	26,9	8590	54522	54522
8200	47,53	22,65	24,0	8731	57136	57136

KXB903

Mn_2 [Nm]	i	Pn_1 [kW]	n_2 [rpm]	Fr_1 [N]	Fr_2 D-S-P [N]	Fr_2 C [N]
8200	50,56	21,30	22,6	8800	58561	58561
8200	54,64	19,71	20,9	8880	60391	60391
8200	57,27	18,80	19,9	8926	61524	61524
8200	60,92	17,68	18,7	8983	63040	63040
8200	63,47	16,97	18,0	9019	64061	64061
8200	71,15	15,14	16,0	9111	65000	65000
8200	77,22	13,94	14,8	9171	65000	65000
8200	83,89	12,84	13,6	9227	65000	65000
8200	87,65	12,29	13,0	9255	65000	65000
8200	93,05	11,57	12,2	9291	65000	65000
8200	103,12	10,44	11,1	9348	65000	65000
8200	123,88	8,69	9,2	9436	65000	65000
8200	134,27	8,02	8,5	9470	65000	65000
8200	149,26	7,21	7,6	9511	65000	65000
8200	165,42	6,51	6,9	9546	65000	65000

KXA202

Mn_2 [Nm]	i	Pn_1 [kW]	n_2 [rpm]	Fr_1 [N]	Fr_2 D-S-P [N]	Fr_2 C [N]
95	7,62	1,22	118,2	373	-	2102
95	10,62	0,87	84,7	355	-	2349
95	12,95	0,72	69,5	406	-	2509
95	14,46	0,64	62,2	443	-	2603
126	16,47	0,75	54,6	579	-	2718
126	22,97	0,54	39,2	355	-	3037
126	28,00	0,44	32,1	406	-	3244
126	31,27	0,40	28,8	443	-	3366
126	33,78	0,37	26,6	458	-	3454
126	47,12	0,26	19,1	355	-	3859
126	57,43	0,22	15,7	406	-	4000
116	64,13	0,18	14,0	406	-	4000
116	78,17	0,15	11,5	406	-	4000

KXA252

Mn_2 [Nm]	i	Pn_1 [kW]	n_2 [rpm]	Fr_1 [N]	Fr_2 D-S-P [N]	Fr_2 C [N]
168	7,91	2,09	113,8	373	-	2281
168	9,46	1,74	95,1	414	-	2421
168	11,57	1,43	77,8	405	-	2589
168	14,63	1,13	61,5	392	-	2799
210	17,11	1,21	52,6	529	-	2950
210	20,46	1,01	44,0	414	-	3131
210	25,03	0,82	36,0	405	-	3349
210	31,63	0,65	28,4	392	-	3620
210	35,10	0,59	25,6	446	-	3748
210	41,97	0,49	21,4	414	-	3978
231	51,34	0,44	17,5	445	-	4000
210	64,87	0,32	13,9	356	-	4000
210	79,07	0,26	11,4	406	-	4000

KXA253

Mn_2 [Nm]	i	Pn_1 [kW]	n_2 [rpm]	Fr_1 [N]	Fr_2 D-S-P [N]	Fr_2 C [N]
231	73,70	0,32	12,2	472	-	4000
231	93,33	0,26	9,6	472	-	4000
231	111,61	0,21	8,1	472	-	4000
231	136,53	0,18	6,6	472	-	4000
231	172,53	0,14	5,2	472	-	4000
231	197,11	0,12	4,6	472	-	4000
231	249,08	0,10	3,6	472	-	4000

KXA253

Mn_2 [Nm]	i	Pn_1 [kW]	n_2 [rpm]	Fr_1 [N]	Fr_2 D-S-P [N]	Fr_2 C [N]
231	271,16	0,09	3,3	472	-	4000
231	342,65	0,07	2,6	472	-	4000

KXA352

Mn_2 [Nm]	i	Pn_1 [kW]	n_2 [rpm]	Fr_1 [N]	Fr_2 D-S-P [N]	Fr_2 C [N]
368	8,36	4,32	107,7	664	5885	2942
368	10,06	3,59	89,5	685	6260	3130
368	12,44	2,90	72,3	667	6720	3360
441	14,91	2,91	60,4	826	7137	3568
441	17,94	2,41	50,2	685	7592	3796
441	22,19	1,95	40,5	667	8150	4075
441	27,45	1,58	32,8	667	8748	4374
441	33,04	1,31	27,2	685	9306	4653
420	40,87	1,01	22,0	635	9989	4995
368	45,64	0,79	19,7	646	10000	5182
368	54,94	0,66	16,4	685	10000	5500
368	67,96	0,53	13,2	667	10000	5500

KXA353

Mn_2 [Nm]	i	Pn_1 [kW]	n_2 [rpm]	Fr_1 [N]	Fr_2 D-S-P [N]	Fr_2 C [N]
473	43,89	1,12	20,5	330	10000	5115
473	52,83	0,93	17,0	411	10000	5441
473	65,35	0,75	13,8	400	10000	5500
473	80,83	0,61	11,1	400	10000	5500
473	97,29	0,50	9,2	411	10000	5500
473	120,34	0,41	7,5	400	10000	5500
473	149,73	0,33	6,0	398	10000	5500
473	180,23	0,27	5,0	411	10000	5500
473	222,93	0,22	4,0	400	10000	5500
473	260,20	0,19	3,5	424	10000	5500
473	321,85	0,15	2,8	400	10000	5500
473	357,95	0,14	2,5	445	10000	5500
473	442,76	0,11	2,0	400	10000	5500

KXB1003

Mn_2 [Nm]	i	Pn_1 [kW]	n_2 [rpm]	Fr_1 [N]	Fr_2 D-S-P [N]	Fr_2 C [N]
7140	8,89	83,25	101,2	6911	54659	54659

KXB1003

Mn ₂ [Nm]	i	Pn ₁ [kW]	n ₂ [rpm]	Fr1 [N]	Fr2 D-S-P [N]	Fr2 C [N]
8295	10,58	81,32	85,1	6990	56595	56595
8085	11,87	70,62	75,8	7428	59722	59722
9240	12,81	74,79	70,3	7257	59584	59584
10080	14,08	74,20	63,9	7281	60524	60524
10500	15,52	70,13	58,0	7448	62338	62338
10395	16,39	65,77	54,9	7626	63977	63977
10920	18,02	62,84	50,0	7746	65672	65000
11235	19,96	58,37	45,1	7929	68031	65000
10920	21,94	51,59	41,0	8206	71371	65000
11025	24,17	47,29	37,2	8383	74121	65000
11655	26,58	45,46	33,9	8457	75990	65000
10710	28,80	38,55	31,2	8740	80000	65000
12075	30,92	40,48	29,1	8661	80000	65000
12495	34,25	37,82	26,3	8770	80000	65000
12915	37,66	35,55	23,9	8863	80000	65000
13335	40,65	34,01	22,1	8926	80000	65000
12600	45,09	28,97	20,0	9132	80000	65000
13650	51,00	27,75	17,6	9182	80000	65000
13650	53,63	26,39	16,8	9238	80000	65000
13650	58,97	24,00	15,3	9336	80000	65000
13650	69,78	20,28	12,9	9488	80000	65000
13650	76,72	18,45	11,7	9563	80000	65000
13650	87,54	16,17	10,3	9656	80000	65000
13650	96,25	14,70	9,3	9716	80000	65000
13650	103,93	13,62	8,7	9761	80000	65000
13650	114,27	12,38	7,9	9811	80000	65000
13650	126,29	11,21	7,1	9859	80000	65000
13650	138,85	10,19	6,5	9901	80000	65000
13650	154,83	9,14	5,8	9944	80000	65000

KXB353

Mn ₂ [Nm]	i	Pn ₁ [kW]	n ₂ [rpm]	Fr1 [N]	Fr2 D-S-P [N]	Fr2 C [N]
305	5,71	5,52	157,5	270	8278	2365
357	6,88	5,38	130,8	294	8651	2472
368	7,32	5,20	122,9	324	8817	2519
483	9,16	5,47	98,2	280	9099	2600
546	10,26	5,52	87,7	272	9246	2642
567	11,03	5,33	81,6	302	9432	2695
609	12,35	5,11	72,8	339	9701	2772
620	13,15	4,88	68,4	377	9913	2832
620	15,18	4,23	59,3	485	10527	3008

KXB353

Mn_2 [Nm]	i	Pn_1 [kW]	n2 [rpm]	Fr1 [N]	Fr2 D-S-P [N]	Fr2 C [N]
630	17,00	3,84	52,9	551	10989	3140
630	22,39	2,92	40,2	705	12000	3516
630	26,09	2,50	34,5	774	12000	3740
630	28,03	2,33	32,1	803	12000	3849
630	33,43	1,95	26,9	865	12000	4128
630	38,58	1,69	23,3	909	12000	4367
630	43,22	1,51	20,8	939	12000	4565
630	50,81	1,29	17,7	977	12000	4860
630	56,93	1,15	15,8	1000	12000	5076
630	69,16	0,94	13,0	1034	12000	5467
630	77,48	0,84	11,6	1050	12000	5707
630	90,33	0,72	10,0	1070	12000	6045
630	101,20	0,65	8,9	1083	12000	6308
630	111,74	0,58	8,1	1094	12000	6544
630	124,20	0,53	7,2	1103	12000	6805
630	139,15	0,47	6,5	1113	12000	7097
630	157,42	0,41	5,7	1122	12000	7425

KXB403

Mn_2 [Nm]	i	Pn_1 [kW]	n2 [rpm]	Fr1 [N]	Fr2 D-S-P [N]	Fr2 C [N]
525	7,81	6,97	115,2	1619	14076	4022
630	8,62	7,57	104,4	1500	14190	4054
683	10,49	6,74	85,8	1664	15098	4314
788	11,59	7,05	77,7	1604	15267	4362
851	14,43	6,11	62,4	1789	16398	4685
893	16,60	5,58	54,2	1895	17165	4904
893	18,32	5,05	49,1	2000	17855	5102
893	22,82	4,06	39,4	2197	18000	5562
893	26,71	3,46	33,7	2314	18000	5914
893	29,50	3,14	30,5	2378	18000	6145
893	31,80	2,91	28,3	2423	18000	6325
893	34,49	2,68	26,1	2468	18000	6525
893	39,60	2,34	22,7	2500	18000	6877
893	42,95	2,15	20,9	2500	18000	7092
893	45,44	2,04	19,8	2500	18000	7245
893	51,19	1,81	17,6	2500	18000	7577
893	55,52	1,67	16,2	2500	18000	7811
893	59,96	1,54	15,0	2500	18000	8038
893	63,74	1,45	14,1	2500	18000	8223
893	69,14	1,34	13,0	2500	18000	8475
893	73,14	1,27	12,3	2500	18000	8653

KXB403

Mn_2 [Nm]	i	Pn_1 [kW]	n_2 [rpm]	Fr_1 [N]	Fr_2 D-S-P [N]	Fr_2 C [N]
893	80,76	1,15	11,1	2500	18000	8975
893	92,19	1,00	9,8	2500	18000	9421
893	100,57	0,92	8,9	2500	18000	9726
893	105,29	0,88	8,6	2500	18000	9890
893	116,25	0,80	7,7	2500	18000	10253
893	126,76	0,73	7,1	2500	18000	10580
893	144,77	0,64	6,2	2500	18000	11100

KXB503

Mn_2 [Nm]	i	Pn_1 [kW]	n_2 [rpm]	Fr_1 [N]	Fr_2 D-S-P [N]	Fr_2 C [N]
840	8,13	10,72	110,7	983	17448	4985
945	8,97	10,93	100,4	944	17802	5086
1050	10,92	9,97	82,4	1122	18879	5394
1050	12,05	9,03	74,7	1296	19601	5600
1260	14,99	8,72	60,1	1356	20685	5910
1470	17,27	8,82	52,1	1336	21247	6070
1470	19,06	8,00	47,2	1490	22000	6311
1470	23,70	6,43	38,0	1782	22000	6872
1575	26,51	6,16	34,0	1833	22000	7090
1680	30,55	5,70	29,5	1918	22000	7406
1785	33,07	5,60	27,2	1937	22000	7552
1785	35,87	5,16	25,1	2019	22000	7797
1785	41,12	4,50	21,9	2142	22000	8224
1785	44,61	4,15	20,2	2207	22000	8488
1785	47,28	3,91	19,0	2251	22000	8681
1785	50,24	3,68	17,9	2294	22000	8886
1785	53,02	3,49	17,0	2330	22000	9072
1785	58,50	3,16	15,4	2391	22000	9420
1785	64,89	2,85	13,9	2449	22000	9798
1785	68,58	2,70	13,1	2478	22000	10006
1785	72,76	2,54	12,4	2506	22000	10232
1785	78,92	2,34	11,4	2544	22000	10550
1890	83,66	2,34	10,8	2544	22000	10697
1890	92,31	2,12	9,8	2585	22000	11102
1890	105,44	1,86	8,5	2634	22000	11670
1890	114,80	1,71	7,8	2662	22000	12046
1890	120,42	1,63	7,5	2677	22000	12262
1890	132,87	1,47	6,8	2706	22000	12718
1890	144,69	1,35	6,2	2728	22000	13125
1890	165,25	1,19	5,5	2760	22000	13783

KXB603

Mn ₂ [Nm]	i	Pn ₁ [kW]	n ₂ [rpm]	Fr1 [N]	Fr2 D-S-P [N]	Fr2 C [N]
1575	7,97	20,50	113,0	2489	20762	5932
1890	9,62	20,37	93,6	2498	21113	6032
2100	10,33	21,07	87,1	2447	20861	5960
2100	12,48	17,45	72,1	2714	22821	6520
2205	13,84	16,51	65,0	2783	23470	6706
2205	15,38	14,86	58,5	2905	24658	7045
2310	18,58	12,89	48,5	3050	26410	7546
2625	20,61	13,21	43,7	3027	26253	7501
2940	22,78	13,38	39,5	3014	26094	7455
2940	25,89	11,77	34,8	3132	27801	7943
2940	27,51	11,08	32,7	3184	28638	8182
2940	30,79	9,90	29,2	3271	30000	8639
2940	31,26	9,75	28,8	3282	30000	8701
2940	34,68	8,79	25,9	3353	30000	9139
2940	40,53	7,52	22,2	3446	30000	9825
3150	44,89	7,27	20,1	3464	30000	10019
3360	49,80	6,99	18,1	3485	30000	10236
3360	54,30	6,42	16,6	3528	30000	10660
3360	59,36	5,87	15,2	3568	30000	11110
3465	62,59	5,74	14,4	3578	30000	11246
3465	69,43	5,17	13,0	3619	30000	11796
3675	74,42	5,12	12,1	3623	30000	11899
3675	80,04	4,76	11,2	3650	30000	12306
3675	89,87	4,24	10,0	3688	30000	12973
3675	99,70	3,82	9,0	3719	30000	13593
3675	106,65	3,57	8,4	3738	30000	14008
3675	119,60	3,19	7,5	3766	30000	14733
3675	129,96	2,93	6,9	3785	30000	15277
3675	144,43	2,64	6,2	3807	30000	15990
3675	160,23	2,38	5,6	3826	30000	16715
3675	180,40	2,11	5,0	3845	30000	17575

KXB703

Mn ₂ [Nm]	i	Pn ₁ [kW]	n ₂ [rpm]	Fr1 [N]	Fr2 D-S-P [N]	Fr2 C [N]
3150	10,84	30,13	83,0	2214	18991	18991
3255	11,87	28,44	75,8	2315	19538	19538
3255	14,49	23,30	62,1	2620	21572	21572
3360	17,04	20,44	52,8	2789	22997	22997
3780	18,66	21,00	48,2	2756	22681	22681
4200	21,00	20,74	42,9	2771	22722	22722
4620	22,77	21,03	39,5	2754	22363	22363

KXB703

Mn_2 [Nm]	i	Pn_1 [kW]	n_2 [rpm]	Fr_1 [N]	Fr_2 D-S-P [N]	Fr_2 C [N]
4830	25,63	19,54	35,1	2843	23168	23168
4830	27,44	18,25	32,8	2919	24049	24049
4935	30,05	17,03	29,9	2992	24912	24912
4935	33,01	15,50	27,3	3082	26194	26194
5040	36,67	14,25	24,5	3157	27341	27341
5040	40,29	12,97	22,3	3233	28710	28710
5040	44,16	11,83	20,4	3300	30087	30087
5250	48,35	11,26	18,6	3334	30819	30819
5250	53,16	10,24	16,9	3395	32330	32330
5250	54,63	9,96	16,5	3411	32773	32773
5250	59,02	9,22	15,2	3455	34052	34052
5250	64,88	8,39	13,9	3504	35666	35666
5250	70,43	7,73	12,8	3544	37106	37106
5250	77,12	7,06	11,7	3583	38741	38741
5250	85,54	6,36	10,5	3625	40000	40000
5250	94,13	5,78	9,6	3659	40000	40000
5250	105,83	5,14	8,5	3697	40000	40000
5250	111,94	4,86	8,0	3714	40000	40000
5250	124,62	4,37	7,2	3743	40000	40000
5250	136,44	3,99	6,6	3766	40000	40000
5250	149,59	3,64	6,0	3786	40000	40000
5250	166,53	3,27	5,4	3808	40000	40000
5250	187,24	2,91	4,8	3830	40000	40000

KXB903

Mn_2 [Nm]	i	Pn_1 [kW]	n_2 [rpm]	Fr_1 [N]	Fr_2 D-S-P [N]	Fr_2 C [N]
4725	10,49	46,69	85,8	6890	38488	38488
4725	12,64	38,75	71,2	7398	41370	41370
5250	14,01	38,85	64,2	7391	42266	42266
5250	15,40	35,34	58,4	7615	43850	43850
6300	18,56	35,20	48,5	7624	45580	45580
6825	20,56	34,41	43,8	7675	46701	46701
7035	23,86	30,57	37,7	7920	49243	49243
7140	25,19	29,39	35,7	7996	50164	50164
8400	28,23	30,85	31,9	7903	50642	50642
8400	30,35	28,70	29,7	8040	52163	52163
8400	33,63	25,89	26,8	8219	54387	54387
8400	35,02	24,87	25,7	8285	55282	55282
8400	38,81	22,44	23,2	8440	57613	57613
8400	42,30	20,59	21,3	8559	59628	59628
8400	47,53	18,32	18,9	8704	62454	62454

KXB903

Mn_2 [Nm]	i	Pn_1 [kW]	n_2 [rpm]	Fr_1 [N]	Fr_2 D-S-P [N]	Fr_2 C [N]
8400	50,56	17,22	17,8	8774	63995	63995
8400	54,64	15,94	16,5	8856	65000	65000
8400	57,27	15,21	15,7	8903	65000	65000
8400	60,92	14,29	14,8	8961	65000	65000
8400	63,47	13,72	14,2	8998	65000	65000
8400	71,15	12,24	12,7	9092	65000	65000
8400	77,22	11,28	11,7	9154	65000	65000
8400	83,89	10,38	10,7	9211	65000	65000
8400	87,65	9,94	10,3	9240	65000	65000
8400	93,05	9,36	9,7	9277	65000	65000
8400	103,12	8,45	8,7	9335	65000	65000
8400	123,88	7,03	7,3	9425	65000	65000
8400	134,27	6,49	6,7	9460	65000	65000
8400	149,26	5,83	6,0	9502	65000	65000
8400	165,42	5,26	5,4	9538	65000	65000

KXA202

Mn_2 [Nm]	i	Pn_1 [kW]	n_2 [rpm]	Fr_1 [N]	Fr_2 D-S-P [N]	Fr_2 C [N]
96	7,62	0,95	91,9	373	-	2286
96	10,62	0,68	65,9	355	-	2554
96	12,95	0,56	54,1	406	-	2728
96	14,46	0,50	48,4	443	-	2830
128	16,47	0,59	42,5	579	-	2956
128	22,97	0,42	30,5	355	-	3303
128	28,00	0,35	25,0	406	-	3528
128	31,27	0,31	22,4	443	-	3660
128	33,78	0,29	20,7	458	-	3756
128	47,12	0,21	14,9	355	-	4000
128	57,43	0,17	12,2	406	-	4000
117	64,13	0,14	10,9	406	-	4000
117	78,17	0,11	9,0	406	-	4000

KXA252

Mn_2 [Nm]	i	Pn_1 [kW]	n_2 [rpm]	Fr_1 [N]	Fr_2 D-S-P [N]	Fr_2 C [N]
170	7,91	1,63	88,5	373	-	2480
170	9,46	1,37	74,0	414	-	2633
170	11,57	1,12	60,5	405	-	2816
170	14,63	0,88	47,9	392	-	3044
213	17,11	0,94	40,9	529	-	3208
213	20,46	0,79	34,2	414	-	3405
213	25,03	0,65	28,0	405	-	3641
213	31,63	0,51	22,1	392	-	3936
213	35,10	0,46	19,9	446	-	4000
213	41,97	0,38	16,7	414	-	4000
234	51,34	0,35	13,6	445	-	4000
213	64,87	0,25	10,8	356	-	4000
213	79,07	0,20	8,8	406	-	4000

KXA253

Mn_2 [Nm]	i	Pn_1 [kW]	n_2 [rpm]	Fr_1 [N]	Fr_2 D-S-P [N]	Fr_2 C [N]
234	73,70	0,25	9,5	472	-	4000
234	93,33	0,20	7,5	472	-	4000
234	111,61	0,17	6,3	472	-	4000
234	136,53	0,14	5,1	472	-	4000
234	172,53	0,11	4,1	472	-	4000
234	197,11	0,10	3,5	472	-	4000
234	249,08	0,08	2,8	472	-	4000

KXA253

Mn ₂ [Nm]	i	Pn ₁ [kW]	n ₂ [rpm]	Fr1 [N]	Fr2 D-S-P [N]	Fr2 C [N]
234	271,16	0,07	2,6	472	-	4000
234	342,65	0,05	2,0	472	-	4000

KXA352

Mn ₂ [Nm]	i	Pn ₁ [kW]	n ₂ [rpm]	Fr1 [N]	Fr2 D-S-P [N]	Fr2 C [N]
372	8,36	3,38	83,8	664	6399	3200
372	10,06	2,81	69,6	685	6807	3404
372	12,44	2,27	56,3	667	7307	3654
446	14,91	2,28	47,0	826	7761	3880
446	17,94	1,89	39,0	685	8255	4128
446	22,19	1,53	31,5	667	8862	4431
446	27,45	1,24	25,5	667	9512	4756
446	33,04	1,03	21,2	685	10000	5059
425	40,87	0,79	17,1	635	10000	5431
372	45,64	0,62	15,3	646	10000	5500
372	54,94	0,51	12,7	685	10000	5500
372	67,96	0,42	10,3	667	10000	5500

KXA353

Mn ₂ [Nm]	i	Pn ₁ [kW]	n ₂ [rpm]	Fr1 [N]	Fr2 D-S-P [N]	Fr2 C [N]
478	43,89	0,87	15,9	330	10000	5500
478	52,83	0,73	13,2	411	10000	5500
478	65,35	0,59	10,7	400	10000	5500
478	80,83	0,47	8,7	400	10000	5500
478	97,29	0,39	7,2	411	10000	5500
478	120,34	0,32	5,8	400	10000	5500
478	149,73	0,26	4,7	398	10000	5500
478	180,23	0,21	3,9	411	10000	5500
478	222,93	0,17	3,1	400	10000	5500
478	260,20	0,15	2,7	424	10000	5500
478	321,85	0,12	2,2	400	10000	5500
478	357,95	0,11	2,0	445	10000	5500
478	442,76	0,09	1,6	400	10000	5500

KXB1003

Mn ₂ [Nm]	i	Pn ₁ [kW]	n ₂ [rpm]	Fr1 [N]	Fr2 D-S-P [N]	Fr2 C [N]
7225	8,89	65,20	78,7	6870	60316	60316

KXB1003

Mn_2 [Nm]	i	Pn_1 [kW]	n_2 [rpm]	Fr1 [N]	Fr2 D-S-P [N]	Fr2 C [N]
8394	10,58	63,69	66,2	6950	62569	62569
8181	11,87	55,31	59,0	7393	65940	65000
9350	12,81	58,57	54,6	7221	65940	65000
10200	14,08	58,11	49,7	7245	67071	65000
10625	15,52	54,93	45,1	7413	69097	65000
10519	16,39	51,51	42,7	7594	70864	65000
11050	18,02	49,21	38,9	7715	72773	65000
11369	19,96	45,71	35,1	7901	75377	65000
11050	21,94	40,41	31,9	8181	78965	65000
11156	24,17	37,03	29,0	8360	80000	65000
11794	26,58	35,61	26,3	8435	80000	65000
10838	28,80	30,19	24,3	8721	80000	65000
12219	30,92	31,71	22,6	8641	80000	65000
12644	34,25	29,62	20,4	8752	80000	65000
13069	37,66	27,84	18,6	8846	80000	65000
13494	40,65	26,63	17,2	8909	80000	65000
12750	45,09	22,69	15,5	9118	80000	65000
13813	51,00	21,73	13,7	9169	80000	65000
13813	53,63	20,67	13,1	9225	80000	65000
13813	58,97	18,80	11,9	9324	80000	65000
13813	69,78	15,88	10,0	9478	80000	65000
13813	76,72	14,45	9,1	9554	80000	65000
13813	87,54	12,66	8,0	9648	80000	65000
13813	96,25	11,52	7,3	9709	80000	65000
13813	103,93	10,66	6,7	9754	80000	65000
13813	114,27	9,70	6,1	9805	80000	65000
13813	126,29	8,78	5,5	9854	80000	65000
13813	138,85	7,98	5,0	9896	80000	65000
13813	154,83	7,16	4,5	9939	80000	65000

KXB353

Mn_2 [Nm]	i	Pn_1 [kW]	n_2 [rpm]	Fr1 [N]	Fr2 D-S-P [N]	Fr2 C [N]
308	5,71	4,33	122,5	259	9097	2599
361	6,88	4,21	101,8	283	9519	2720
372	7,32	4,07	95,6	313	9703	2772
489	9,16	4,28	76,4	269	10049	2871
553	10,26	4,32	68,2	261	10229	2923
574	11,03	4,17	63,5	292	10438	2982
616	12,35	4,00	56,7	329	10744	3070
627	13,15	3,82	53,2	367	10978	3137
627	15,18	3,31	46,1	477	11646	3327

KXB353

Mn_2 [Nm]	i	Pn_1 [kW]	n2 [rpm]	Fr1 [N]	Fr2 D-S-P [N]	Fr2 C [N]
638	17,00	3,01	41,2	543	12000	3472
638	22,39	2,28	31,3	699	12000	3880
638	26,09	1,96	26,8	769	12000	4124
638	28,03	1,82	25,0	798	12000	4242
638	33,43	1,53	20,9	861	12000	4545
638	38,58	1,33	18,1	905	12000	4805
638	43,22	1,18	16,2	936	12000	5020
638	50,81	1,01	13,8	974	12000	5340
638	56,93	0,90	12,3	997	12000	5576
638	69,16	0,74	10,1	1032	12000	6000
638	77,48	0,66	9,0	1049	12000	6261
638	90,33	0,57	7,8	1069	12000	6629
638	101,20	0,51	6,9	1082	12000	6914
638	111,74	0,46	6,3	1092	12000	7171
638	124,20	0,41	5,6	1102	12000	7454
638	139,15	0,37	5,0	1112	12000	7771
638	157,42	0,32	4,5	1121	12000	8000

KXB403

Mn_2 [Nm]	i	Pn_1 [kW]	n2 [rpm]	Fr1 [N]	Fr2 D-S-P [N]	Fr2 C [N]
531	7,81	5,46	89,6	1603	15452	4415
638	8,62	5,93	81,2	1482	15607	4459
691	10,49	5,28	66,7	1648	16610	4746
797	11,59	5,52	60,4	1588	16825	4807
861	14,43	4,79	48,5	1775	18000	5163
903	16,60	4,37	42,2	1882	18000	5405
903	18,32	3,95	38,2	1988	18000	5620
903	22,82	3,18	30,7	2187	18000	6120
903	26,71	2,71	26,2	2306	18000	6502
903	29,50	2,46	23,7	2371	18000	6753
903	31,80	2,28	22,0	2417	18000	6949
903	34,49	2,10	20,3	2462	18000	7166
903	39,60	1,83	17,7	2500	18000	7549
903	42,95	1,69	16,3	2500	18000	7783
903	45,44	1,59	15,4	2500	18000	7948
903	51,19	1,42	13,7	2500	18000	8309
903	55,52	1,31	12,6	2500	18000	8563
903	59,96	1,21	11,7	2500	18000	8810
903	63,74	1,14	11,0	2500	18000	9011
903	69,14	1,05	10,1	2500	18000	9284
903	73,14	0,99	9,6	2500	18000	9478

KXB403

Mn ₂ [Nm]	i	Pn ₁ [kW]	n ₂ [rpm]	Fr1 [N]	Fr2 D-S-P [N]	Fr2 C [N]
903	80,76	0,90	8,7	2500	18000	9828
903	92,19	0,79	7,6	2500	18000	10313
903	100,57	0,72	7,0	2500	18000	10644
903	105,29	0,69	6,7	2500	18000	10822
903	116,25	0,62	6,0	2500	18000	11216
903	126,76	0,57	5,5	2500	18000	11571
903	144,77	0,50	4,8	2500	18000	12000

KXB503

Mn ₂ [Nm]	i	Pn ₁ [kW]	n ₂ [rpm]	Fr1 [N]	Fr2 D-S-P [N]	Fr2 C [N]
850	8,13	8,39	86,1	959	19137	5468
956	8,97	8,56	78,1	920	19544	5584
1063	10,92	7,81	64,1	1100	20736	5925
1063	12,05	7,08	58,1	1276	21522	6149
1275	14,99	6,83	46,7	1336	22000	6498
1488	17,27	6,91	40,5	1316	22000	6685
1488	19,06	6,26	36,7	1472	22000	6946
1488	23,70	5,04	29,5	1768	22000	7556
1594	26,51	4,82	26,4	1819	22000	7800
1700	30,55	4,46	22,9	1905	22000	8149
1806	33,07	4,38	21,2	1925	22000	8314
1806	35,87	4,04	19,5	2007	22000	8581
1806	41,12	3,52	17,0	2132	22000	9045
1806	44,61	3,25	15,7	2198	22000	9331
1806	47,28	3,07	14,8	2242	22000	9541
1806	50,24	2,88	13,9	2286	22000	9764
1806	53,02	2,73	13,2	2322	22000	9966
1806	58,50	2,48	12,0	2384	22000	10344
1806	64,89	2,23	10,8	2443	22000	10755
1806	68,58	2,11	10,2	2472	22000	10980
1806	72,76	1,99	9,6	2501	22000	11226
1806	78,92	1,84	8,9	2538	22000	11572
1913	83,66	1,83	8,4	2539	22000	11738
1913	92,31	1,66	7,6	2580	22000	12177
1913	105,44	1,46	6,6	2630	22000	12794
1913	114,80	1,34	6,1	2659	22000	13203
1913	120,42	1,27	5,8	2674	22000	13438
1913	132,87	1,15	5,3	2702	22000	13933
1913	144,69	1,06	4,8	2725	22000	14376
1913	165,25	0,93	4,2	2757	22000	15000

KXB603

Mn ₂ [Nm]	i	Pn ₁ [kW]	n ₂ [rpm]	Fr1 [N]	Fr2 D-S-P [N]	Fr2 C [N]
1594	7,97	16,05	87,9	2471	23098	6599
1913	9,62	15,95	72,8	2480	23587	6739
2125	10,33	16,50	67,7	2428	23384	6681
2125	12,48	13,66	56,1	2699	25514	7290
2231	13,84	12,93	50,6	2768	26255	7501
2231	15,38	11,64	45,5	2892	27546	7870
2338	18,58	10,10	37,7	3039	29486	8425
2656	20,61	10,34	34,0	3015	29423	8407
2975	22,78	10,48	30,7	3002	29358	8388
2975	25,89	9,22	27,0	3122	30000	8918
2975	27,51	8,68	25,4	3174	30000	9178
2975	30,79	7,75	22,7	3262	30000	9674
2975	31,26	7,64	22,4	3273	30000	9742
2975	34,68	6,88	20,2	3345	30000	10217
2975	40,53	5,89	17,3	3440	30000	10963
3188	44,89	5,70	15,6	3458	30000	11193
3400	49,80	5,48	14,1	3479	30000	11450
3400	54,30	5,02	12,9	3522	30000	11911
3400	59,36	4,60	11,8	3563	30000	12399
3506	62,59	4,50	11,2	3573	30000	12557
3506	69,43	4,05	10,1	3615	30000	13155
3719	74,42	4,01	9,4	3619	30000	13287
3719	80,04	3,73	8,8	3646	30000	13729
3719	89,87	3,32	7,8	3685	30000	14454
3719	99,70	2,99	7,0	3716	30000	15128
3719	106,65	2,80	6,6	3734	30000	15579
3719	119,60	2,49	5,8	3763	30000	16367
3719	129,96	2,30	5,4	3782	30000	16958
3719	144,43	2,07	4,8	3804	30000	17732
3719	160,23	1,86	4,4	3824	30000	18520
3719	180,40	1,65	3,9	3843	30000	19455

KXB703

Mn ₂ [Nm]	i	Pn ₁ [kW]	n ₂ [rpm]	Fr1 [N]	Fr2 D-S-P [N]	Fr2 C [N]
3188	10,84	23,60	64,6	2193	21383	21383
3294	11,87	22,27	59,0	2294	22002	22002
3294	14,49	18,25	48,3	2603	24212	24212
3400	17,04	16,01	41,1	2775	25785	25785
3825	18,66	16,45	37,5	2741	25542	25542
4250	21,00	16,24	33,3	2757	25686	25686
4675	22,77	16,47	30,7	2739	25396	25396

KXB703

Mn_2 [Nm]	i	Pn_1 [kW]	n_2 [rpm]	Fr_1 [N]	Fr_2 D-S-P [N]	Fr_2 C [N]
4888	25,63	15,30	27,3	2829	26320	26320
4888	27,44	14,29	25,5	2906	27277	27277
4994	30,05	13,34	23,3	2980	28240	28240
4994	33,01	12,14	21,2	3071	29633	29633
5100	36,67	11,16	19,1	3147	30904	30904
5100	40,29	10,16	17,4	3223	32391	32391
5100	44,16	9,27	15,8	3292	33887	33887
5313	48,35	8,82	14,5	3326	34732	34732
5313	53,16	8,02	13,2	3387	36374	36374
5313	54,63	7,80	12,8	3404	36856	36856
5313	59,02	7,22	11,9	3448	38246	38246
5313	64,88	6,57	10,8	3499	39999	39999
5313	70,43	6,05	9,9	3538	40000	40000
5313	77,12	5,53	9,1	3578	40000	40000
5313	85,54	4,98	8,2	3620	40000	40000
5313	94,13	4,53	7,4	3655	40000	40000
5313	105,83	4,03	6,6	3693	40000	40000
5313	111,94	3,81	6,2	3710	40000	40000
5313	124,62	3,42	5,6	3740	40000	40000
5313	136,44	3,12	5,1	3763	40000	40000
5313	149,59	2,85	4,7	3784	40000	40000
5313	166,53	2,56	4,2	3806	40000	40000
5313	187,24	2,28	3,7	3828	40000	40000

KXB903

Mn_2 [Nm]	i	Pn_1 [kW]	n_2 [rpm]	Fr_1 [N]	Fr_2 D-S-P [N]	Fr_2 C [N]
4781	10,49	36,56	66,7	6854	42333	42333
4781	12,64	30,35	55,4	7368	45464	45464
5313	14,01	30,43	50,0	7362	46495	46495
5313	15,40	27,68	45,5	7588	48216	48216
6375	18,56	27,57	37,7	7598	50211	50211
6906	20,56	26,95	34,0	7649	51486	51486
7119	23,86	23,94	29,3	7897	54271	54271
7225	25,19	23,02	27,8	7974	55283	55283
8500	28,23	24,16	24,8	7879	55940	55940
8500	30,35	22,47	23,1	8018	57593	57593
8500	33,63	20,28	20,8	8200	60009	60009
8500	35,02	19,48	20,0	8266	60981	60981
8500	38,81	17,57	18,0	8423	63514	63514
8500	42,30	16,13	16,6	8543	65000	65000
8500	47,53	14,35	14,7	8690	65000	65000

KXB903

Mn_2 [Nm]	i	Pn_1 [kW]	n_2 [rpm]	Fr_1 [N]	Fr_2 D-S-P [N]	Fr_2 C [N]
8500	50,56	13,49	13,8	8761	65000	65000
8500	54,64	12,48	12,8	8844	65000	65000
8500	57,27	11,91	12,2	8891	65000	65000
8500	60,92	11,19	11,5	8950	65000	65000
8500	63,47	10,75	11,0	8987	65000	65000
8500	71,15	9,59	9,8	9083	65000	65000
8500	77,22	8,83	9,1	9145	65000	65000
8500	83,89	8,13	8,3	9203	65000	65000
8500	87,65	7,78	8,0	9232	65000	65000
8500	93,05	7,33	7,5	9269	65000	65000
8500	103,12	6,61	6,8	9329	65000	65000
8500	123,88	5,51	5,7	9420	65000	65000
8500	134,27	5,08	5,2	9455	65000	65000
8500	149,26	4,57	4,7	9497	65000	65000
8500	165,42	4,12	4,2	9534	65000	65000

KXA202

Mn_2 [Nm]	i	Pn_1 [kW]	n_2 [rpm]	Fr_1 [N]	Fr_2 D-S-P [N]	Fr_2 C [N]
97	7,62	0,69	65,7	373	-	2557
97	10,62	0,49	47,1	355	-	2857
97	12,95	0,40	38,6	406	-	3052
97	14,46	0,36	34,6	443	-	3166
129	16,47	0,42	30,4	579	-	3307
129	22,97	0,30	21,8	355	-	3695
129	28,00	0,25	17,9	406	-	3946
129	31,27	0,22	16,0	443	-	4000
129	33,78	0,21	14,8	458	-	4000
129	47,12	0,15	10,6	355	-	4000
129	57,43	0,12	8,7	406	-	4000
118	64,13	0,10	7,8	406	-	4000
118	78,17	0,08	6,4	406	-	4000

KXA252

Mn_2 [Nm]	i	Pn_1 [kW]	n_2 [rpm]	Fr_1 [N]	Fr_2 D-S-P [N]	Fr_2 C [N]
172	7,91	1,17	63,2	373	-	2775
172	9,46	0,98	52,9	414	-	2945
172	11,57	0,80	43,2	405	-	3150
172	14,63	0,64	34,2	392	-	3405
215	17,11	0,68	29,2	529	-	3588
215	20,46	0,57	24,4	414	-	3809
215	25,03	0,46	20,0	405	-	4000
215	31,63	0,37	15,8	392	-	4000
215	35,10	0,33	14,2	446	-	4000
215	41,97	0,28	11,9	414	-	4000
237	51,34	0,25	9,7	445	-	4000
215	64,87	0,18	7,7	356	-	4000
215	79,07	0,15	6,3	406	-	4000

KXA253

Mn_2 [Nm]	i	Pn_1 [kW]	n_2 [rpm]	Fr_1 [N]	Fr_2 D-S-P [N]	Fr_2 C [N]
237	73,70	0,18	6,8	472	-	4000
237	93,33	0,14	5,4	472	-	4000
237	111,61	0,12	4,5	472	-	4000
237	136,53	0,10	3,7	472	-	4000
237	172,53	0,08	2,9	472	-	4000
237	197,11	0,07	2,5	472	-	4000
237	249,08	0,05	2,0	472	-	4000

KXA253

Mn ₂ [Nm]	i	Pn ₁ [kW]	n ₂ [rpm]	Fr1 [N]	Fr2 D-S-P [N]	Fr2 C [N]
237	271,16	0,05	1,8	472	-	4000
237	342,65	0,04	1,5	472	-	4000

KXA352

Mn ₂ [Nm]	i	Pn ₁ [kW]	n ₂ [rpm]	Fr1 [N]	Fr2 D-S-P [N]	Fr2 C [N]
376	8,36	2,43	59,8	664	7159	3579
376	10,06	2,02	49,7	685	7615	3808
376	12,44	1,63	40,2	667	8174	4087
452	14,91	1,64	33,5	826	8682	4341
452	17,94	1,36	27,9	685	9235	4618
452	22,19	1,10	22,5	667	9913	4957
452	27,45	0,89	18,2	667	10000	5321
452	33,04	0,74	15,1	685	10000	5500
430	40,87	0,57	12,2	635	10000	5500
376	45,64	0,45	10,9	646	10000	5500
376	54,94	0,37	9,1	685	10000	5500
376	67,96	0,30	7,4	667	10000	5500

KXA353

Mn ₂ [Nm]	i	Pn ₁ [kW]	n ₂ [rpm]	Fr1 [N]	Fr2 D-S-P [N]	Fr2 C [N]
484	43,89	0,63	11,4	330	10000	5500
484	52,83	0,52	9,5	411	10000	5500
484	65,35	0,42	7,7	400	10000	5500
484	80,83	0,34	6,2	400	10000	5500
484	97,29	0,28	5,1	411	10000	5500
484	120,34	0,23	4,2	400	10000	5500
484	149,73	0,18	3,3	398	10000	5500
484	180,23	0,15	2,8	411	10000	5500
484	222,93	0,12	2,2	400	10000	5500
484	260,20	0,11	1,9	424	10000	5500
484	321,85	0,09	1,6	400	10000	5500
484	357,95	0,08	1,4	445	10000	5500
484	442,76	0,06	1,1	400	10000	5500

KXB1003

Mn ₂ [Nm]	i	Pn ₁ [kW]	n ₂ [rpm]	Fr1 [N]	Fr2 D-S-P [N]	Fr2 C [N]
7310	8,89	46,89	56,2	6830	68733	65000

KXB1003

Mn₂ [Nm]	i	Pn₁ [kW]	n₂ [rpm]	Fr1 [N]	Fr2 D-S-P [N]	Fr2 C [N]
8493	10,58	45,80	47,3	6910	71467	65000
8278	11,87	39,77	42,1	7359	75194	65000
9460	12,81	42,12	39,0	7184	75410	65000
10320	14,08	41,79	35,5	7209	76831	65000
10750	15,52	39,50	32,2	7379	79173	65000
10643	16,39	37,04	30,5	7562	80000	65000
11180	18,02	35,39	27,8	7685	80000	65000
11503	19,96	32,87	25,1	7872	80000	65000
11180	21,94	29,06	22,8	8156	80000	65000
11288	24,17	26,63	20,7	8337	80000	65000
11933	26,58	25,61	18,8	8413	80000	65000
10965	28,80	21,71	17,4	8702	80000	65000
12363	30,92	22,80	16,2	8622	80000	65000
12793	34,25	21,30	14,6	8733	80000	65000
13223	37,66	20,02	13,3	8828	80000	65000
13653	40,65	19,15	12,3	8893	80000	65000
12900	45,09	16,32	11,1	9104	80000	65000
13975	51,00	15,63	9,8	9155	80000	65000
13975	53,63	14,86	9,3	9212	80000	65000
13975	58,97	13,52	8,5	9312	80000	65000
13975	69,78	11,42	7,2	9468	80000	65000
13975	76,72	10,39	6,5	9545	80000	65000
13975	87,54	9,11	5,7	9641	80000	65000
13975	96,25	8,28	5,2	9702	80000	65000
13975	103,93	7,67	4,8	9747	80000	65000
13975	114,27	6,97	4,4	9799	80000	65000
13975	126,29	6,31	4,0	9848	80000	65000
13975	138,85	5,74	3,6	9891	80000	65000
13975	154,83	5,15	3,2	9935	80000	65000

KXB353

Mn₂ [Nm]	i	Pn₁ [kW]	n₂ [rpm]	Fr1 [N]	Fr2 D-S-P [N]	Fr2 C [N]
312	5,71	3,11	87,5	248	10312	2946
366	6,88	3,03	72,7	273	10809	3088
376	7,32	2,93	68,3	303	11020	3149
495	9,16	3,08	54,6	258	11462	3275
559	10,26	3,11	48,7	250	11694	3341
581	11,03	3,00	45,3	281	11938	3411
624	12,35	2,88	40,5	319	12000	3514
634	13,15	2,75	38,0	358	12000	3590
634	15,18	2,38	33,0	469	12000	3804

KXB353

Mn_2 [Nm]	i	Pn_1 [kW]	n2 [rpm]	Fr1 [N]	Fr2 D-S-P [N]	Fr2 C [N]
645	17,00	2,16	29,4	535	12000	3966
645	22,39	1,64	22,3	693	12000	4423
645	26,09	1,41	19,2	764	12000	4695
645	28,03	1,31	17,8	793	12000	4827
645	33,43	1,10	15,0	858	12000	5166
645	38,58	0,95	13,0	902	12000	5456
645	43,22	0,85	11,6	933	12000	5696
645	50,81	0,72	9,8	972	12000	6054
645	56,93	0,65	8,8	995	12000	6317
645	69,16	0,53	7,2	1030	12000	6792
645	77,48	0,47	6,5	1047	12000	7083
645	90,33	0,41	5,5	1068	12000	7494
645	101,20	0,36	4,9	1081	12000	7812
645	111,74	0,33	4,5	1091	12000	8000
645	124,20	0,30	4,0	1101	12000	8000
645	139,15	0,26	3,6	1111	12000	8000
645	157,42	0,23	3,2	1120	12000	8000

KXB403

Mn_2 [Nm]	i	Pn_1 [kW]	n2 [rpm]	Fr1 [N]	Fr2 D-S-P [N]	Fr2 C [N]
538	7,81	3,93	64,0	1587	17494	4998
645	8,62	4,27	58,0	1464	17713	5061
699	10,49	3,80	47,6	1633	18000	5387
806	11,59	3,97	43,1	1571	18000	5469
871	14,43	3,44	34,6	1761	18000	5875
914	16,60	3,14	30,1	1869	18000	6150
914	18,32	2,84	27,3	1976	18000	6390
914	22,82	2,28	21,9	2177	18000	6949
914	26,71	1,95	18,7	2297	18000	7376
914	29,50	1,77	16,9	2364	18000	7657
914	31,80	1,64	15,7	2410	18000	7875
914	34,49	1,51	14,5	2456	18000	8118
914	39,60	1,32	12,6	2500	18000	8546
914	42,95	1,21	11,6	2500	18000	8807
914	45,44	1,15	11,0	2500	18000	8992
914	51,19	1,02	9,8	2500	18000	9395
914	55,52	0,94	9,0	2500	18000	9679
914	59,96	0,87	8,3	2500	18000	9955
914	63,74	0,82	7,8	2500	18000	10179
914	69,14	0,75	7,2	2500	18000	10485
914	73,14	0,71	6,8	2500	18000	10701

KXB403

Mn_2 [Nm]	i	Pn_1 [kW]	n_2 [rpm]	Fr_1 [N]	Fr_2 D-S-P [N]	Fr_2 C [N]
914	80,76	0,65	6,2	2500	18000	11092
914	92,19	0,57	5,4	2500	18000	11634
914	100,57	0,52	5,0	2500	18000	12000
914	105,29	0,49	4,8	2500	18000	12000
914	116,25	0,45	4,3	2500	18000	12000
914	126,76	0,41	3,9	2500	18000	12000
914	144,77	0,36	3,5	2500	18000	12000

KXB503

Mn_2 [Nm]	i	Pn_1 [kW]	n_2 [rpm]	Fr_1 [N]	Fr_2 D-S-P [N]	Fr_2 C [N]
860	8,13	6,04	61,5	935	21643	6184
968	8,97	6,15	55,8	895	22000	6323
1075	10,92	5,61	45,8	1078	22000	6713
1075	12,05	5,09	41,5	1256	22000	6963
1290	14,99	4,91	33,4	1317	22000	7372
1505	17,27	4,97	28,9	1296	22000	7600
1505	19,06	4,50	26,2	1454	22000	7891
1505	23,70	3,62	21,1	1753	22000	8572
1613	26,51	3,47	18,9	1805	22000	8854
1720	30,55	3,21	16,4	1893	22000	9254
1828	33,07	3,15	15,1	1912	22000	9447
1828	35,87	2,91	13,9	1996	22000	9745
1828	41,12	2,53	12,2	2122	22000	10264
1828	44,61	2,34	11,2	2189	22000	10584
1828	47,28	2,20	10,6	2234	22000	10819
1828	50,24	2,07	9,9	2278	22000	11068
1828	53,02	1,97	9,4	2315	22000	11293
1828	58,50	1,78	8,6	2377	22000	11715
1828	64,89	1,61	7,7	2436	22000	12175
1828	68,58	1,52	7,3	2466	22000	12427
1828	72,76	1,43	6,9	2495	22000	12701
1828	78,92	1,32	6,3	2533	22000	13088
1935	83,66	1,32	6,0	2534	22000	13283
1935	92,31	1,20	5,4	2576	22000	13773
1935	105,44	1,05	4,7	2626	22000	14463
1935	114,80	0,96	4,4	2655	22000	14920
1935	120,42	0,92	4,2	2670	22000	15000
1935	132,87	0,83	3,8	2699	22000	15000
1935	144,69	0,76	3,5	2722	22000	15000
1935	165,25	0,67	3,0	2754	22000	15000

KXB603

Mn ₂ [Nm]	i	Pn ₁ [kW]	n ₂ [rpm]	Fr1 [N]	Fr2 D-S-P [N]	Fr2 C [N]
1613	7,97	11,54	62,8	2453	26584	7595
1935	9,62	11,47	52,0	2462	27285	7796
2150	10,33	11,87	48,4	2410	27163	7761
2150	12,48	9,83	40,1	2683	29542	8441
2258	13,84	9,30	36,1	2754	30000	8692
2258	15,38	8,37	32,5	2878	30000	9104
2365	18,58	7,26	26,9	3027	30000	9738
2688	20,61	7,44	24,3	3004	30000	9762
3010	22,78	7,54	21,9	2990	30000	9786
3010	25,89	6,63	19,3	3112	30000	10378
3010	27,51	6,24	18,2	3164	30000	10668
3010	30,79	5,57	16,2	3253	30000	11223
3010	31,26	5,49	16,0	3265	30000	11299
3010	34,68	4,95	14,4	3337	30000	11830
3010	40,53	4,24	12,3	3433	30000	12663
3225	44,89	4,10	11,1	3452	30000	12950
3440	49,80	3,94	10,0	3473	30000	13267
3440	54,30	3,61	9,2	3517	30000	13782
3440	59,36	3,31	8,4	3558	30000	14327
3548	62,59	3,23	8,0	3568	30000	14518
3548	69,43	2,91	7,2	3610	30000	15187
3763	74,42	2,88	6,7	3614	30000	15364
3763	80,04	2,68	6,2	3642	30000	15858
3763	89,87	2,39	5,6	3681	30000	16668
3763	99,70	2,15	5,0	3712	30000	17421
3763	106,65	2,01	4,7	3731	30000	17925
3763	119,60	1,79	4,2	3761	30000	18805
3763	129,96	1,65	3,9	3780	30000	19466
3763	144,43	1,49	3,5	3802	30000	20000
3763	160,23	1,34	3,1	3822	30000	20000
3763	180,40	1,19	2,8	3842	30000	20000

KXB703

Mn ₂ [Nm]	i	Pn ₁ [kW]	n ₂ [rpm]	Fr1 [N]	Fr2 D-S-P [N]	Fr2 C [N]
3225	10,84	16,97	46,1	2171	24968	24968
3333	11,87	16,02	42,1	2274	25696	25696
3333	14,49	13,12	34,5	2587	28165	28165
3440	17,04	11,51	29,3	2760	29959	29959
3870	18,66	11,83	26,8	2726	29831	29831
4300	21,00	11,68	23,8	2742	30135	30135
4730	22,77	11,85	22,0	2724	29954	29954

KXB703

Mn_2 [Nm]	i	Pn_1 [kW]	n_2 [rpm]	Fr_1 [N]	Fr_2 D-S-P [N]	Fr_2 C [N]
4945	25,63	11,00	19,5	2815	31059	31059
4945	27,44	10,28	18,2	2894	32128	32128
5053	30,05	9,59	16,6	2968	33240	33240
5053	33,01	8,73	15,2	3060	34796	34796
5160	36,67	8,02	13,6	3137	36252	36252
5160	40,29	7,30	12,4	3214	37914	37914
5160	44,16	6,66	11,3	3283	39586	39586
5375	48,35	6,34	10,3	3318	40000	40000
5375	53,16	5,77	9,4	3380	40000	40000
5375	54,63	5,61	9,2	3397	40000	40000
5375	59,02	5,19	8,5	3442	40000	40000
5375	64,88	4,72	7,7	3493	40000	40000
5375	70,43	4,35	7,1	3533	40000	40000
5375	77,12	3,98	6,5	3573	40000	40000
5375	85,54	3,58	5,8	3616	40000	40000
5375	94,13	3,26	5,3	3651	40000	40000
5375	105,83	2,90	4,7	3690	40000	40000
5375	111,94	2,74	4,5	3707	40000	40000
5375	124,62	2,46	4,0	3737	40000	40000
5375	136,44	2,25	3,7	3760	40000	40000
5375	149,59	2,05	3,3	3781	40000	40000
5375	166,53	1,84	3,0	3804	40000	40000
5375	187,24	1,64	2,7	3826	40000	40000

KXB903

Mn_2 [Nm]	i	Pn_1 [kW]	n_2 [rpm]	Fr_1 [N]	Fr_2 D-S-P [N]	Fr_2 C [N]
4838	10,49	26,30	47,6	6819	48046	48046
4838	12,64	21,82	39,5	7339	51544	51544
5375	14,01	21,88	35,7	7332	52779	52779
5375	15,40	19,91	32,5	7561	54701	54701
6450	18,56	19,83	26,9	7571	57095	57095
6988	20,56	19,38	24,3	7623	58602	58602
7203	23,86	17,22	21,0	7874	61748	61748
7310	25,19	16,55	19,9	7951	62895	62895
8600	28,23	17,37	17,7	7856	63827	63827
8600	30,35	16,16	16,5	7997	65000	65000
8600	33,63	14,58	14,9	8180	65000	65000
8600	35,02	14,01	14,3	8247	65000	65000
8600	38,81	12,64	12,9	8406	65000	65000
8600	42,30	11,60	11,8	8527	65000	65000
8600	47,53	10,32	10,5	8676	65000	65000

KXB903

Mn_2 [Nm]	i	Pn_1 [kW]	n_2 [rpm]	Fr_1 [N]	Fr_2 D-S-P [N]	Fr_2 C [N]
8600	50,56	9,70	9,9	8748	65000	65000
8600	54,64	8,98	9,2	8832	65000	65000
8600	57,27	8,56	8,7	8880	65000	65000
8600	60,92	8,05	8,2	8939	65000	65000
8600	63,47	7,73	7,9	8977	65000	65000
8600	71,15	6,89	7,0	9074	65000	65000
8600	77,22	6,35	6,5	9137	65000	65000
8600	83,89	5,85	6,0	9195	65000	65000
8600	87,65	5,60	5,7	9225	65000	65000
8600	93,05	5,27	5,4	9262	65000	65000
8600	103,12	4,76	4,8	9322	65000	65000
8600	123,88	3,96	4,0	9415	65000	65000
8600	134,27	3,65	3,7	9450	65000	65000
8600	149,26	3,29	3,4	9493	65000	65000
8600	165,42	2,97	3,0	9530	65000	65000

All supplies effected by Gear Solutions ES are governed exclusively by the general terms of sale that you can find on our website:

http://www.pujolmuntala.eu/es/documentos/condiciones_de_venta.pdf

